

# User Manual

## Video Fluoroscopy Table 6210



Sonesta manufactures and sells tables and chairs for urology, gynecology, urodynamic diagnostics and upper GI procedures

Copyright © 2021 Sonesta Medical AB. All rights reserved.

The contents of this manual are the property of SONESTA MEDICAL AB. Any reproduction in whole or in part is strictly prohibited.

At the time of printing, this manual correctly described the device and its functions. However, as modifications may have been carried out since the production of this manual, the system package may contain one or more amendments to the manual. This manual including any such amendments must be thoroughly read, before servicing/using the device.

SONESTA MEDICAL AB is only responsible for the reliability and performance of the device if the following are strictly observed:

- Authorized personnel (see back of manual for authorized service centers) carry out all repairs and modifications.
- Only Sonesta spare parts are being used.
- Service manual with spare part list can be ordered from a Sonesta authorized distributor or from Sonesta Customer Service.
- The device must be used in accordance with the intended use and standards put forth in the Safety Information section.

If the points above are not strictly observed, the warranty will be considered invalid.

This manual contains different icons and typefaces designed to improve readability and increase understanding of its content. Adhere to the following recommendations and the ones in the User Manual for safe operation of the device and service: See below and in the user manual.



**NOTE:** Sets apart special information or important instruction clarification.



**WARNING:** The symbol identifies situations or actions that may affect patient or user safety. Disregarding a warning could result in patient or user injury.



**CAUTION:** The symbol points out special procedures or precautions that personnel must follow to avoid equipment damage.



**CAUGHT WARNING:** The symbol highlights a risk of physical danger to the user or operator (ensure that hands, feet and equipment are clear of the frame assemblies when changing positions of the chair, always engage the brakes, verify the stability after brakes are engaged, except during transport).



**LIFTING WARNING:** The symbol highlights a risk of physical danger to the user or operator when lifting parts or chair. Use proper lifting methods.

# Contents

<b>Contents</b> .....	3
<b>Safety Information</b> .....	4
<b>Symbols</b> .....	5
<b>Video Fluoroscopy Table 6210</b> .....	6
<b>Controls</b> .....	7
Emergency Stop.....	7
Battery Back Up System .....	7
Pelvic Rotation.....	8
Standing Position .....	8
<b>Accessories</b> .....	9
<b>Maintenance</b> .....	11
<b>Cleaning</b> .....	11
<b>Mattres Cleaning Instructions</b> .....	12
<b>Technical Data</b> .....	13
<b>Measures and Weights</b> .....	13
<b>Imaging Area</b> .....	14
<b>Classification</b> .....	14
<b>Technical Lifetime</b> .....	14
<b>Notes</b> .....	15
<b>Service Centers</b> .....	16

# Safety Information

This product is CE marked in conformity with the requirements of the Medical Device Directive 93/42/EEC and the RoHS Directive 2002/95/ECRoHS.

Adhere to the following recommendations for safe operation of the device:

- Do not attempt to open the control box or actuators.
- Do not immerse the control unit device in water or any other liquid (see the Cleaning section for specific details).
- The power connector also serves as the main power switch i.e. remove the power connector to power off.
- Unplug the power connector from its power source before cleaning or servicing. Failure to do so could result in equipment damage.
- Ensure that the power cord does not become pinched between mechanisms during normal operation of the chair. Failure to do so can result in equipment damage.
- Ensure that the cables are undamaged before use.
- Do not connect the power connector or any control unit connector to anything other than the appropriate input on the device.
- The chair is only to be used with medical equipment complying with EN 60601-1. EN 60601-1-2.
- The device is not intended for use with flammable anesthetic gases. A possible explosion hazard exists and personal injury or equipment damage could occur.
- Ensure that hands, feet and equipment are clear of the frame assemblies when changing positions of the chair.
- Always engage the brakes, except during transport, verify the stability after brakes are engaged.
- Remove drainage receptor and holder/funnel or other option fitted beneath the seat cushion before setting the chair in standing position.
- A patient should never enter the chair by using the footrests to stand on. This may cause tipping of the chair, and can cause patient injury.
- The chair is not intended to be used during invasive surgical procedures.
- Use only Sonesta spare parts.
- The device is equipped with a emergency battery back up system built into the control box, the battery is charged when the AC-powercord is connected to the power source. Always keep the power cord connected to the power source when in use.
- Make sure the table is in the highest position before setting the table in standing position.
- During patient transport the table must be set to its lowest position (lift motor) so the table does not over balance, this to avoid personal injuries, equipment damage or property damage.

## Limitations and Warnings



The product is tested for a patient weight of maximum 250 kg.



Ensure that the patient does not sit on the footrests, when folded up. The table may become unstable, causing injury if maximum weight of 50 kg is exceeded.



Ensure that the patient is never left unattended due to the risk of the patient not using the chair according to the user manual.



A patient should never enter the chair by using the footrests to stand on while the 6210 is in a chair position or in a vertical position, unless the footrests are flushed with the floor.

# Symbols

## Explanations of the symbols found on the body of the device:



Attention, see accompanying documents



Type B, equipment providing a particular degree of protection against electric shock



The device complies with the EC directive 93/42/EEC on medical devices

**IPX6** Degree of protection, EN 60529 (ingress of water and foreign objects)



-250 kg



Maximum safe workload icon, maximum safe workload 250 kg



2 min per 18 min

Duty cycle icon, duty cycle 2 min per 18 min



Potential equalization connection point



Battery backup capacity: 10 min with maximum weight

## Explanations of the symbols found in the service manual:



Moves up



Moves down



Secure



Release



Push



Insertion direction (part)



Adjustable in shown directions



Adjustable in shown directions



Adjustable in shown directions

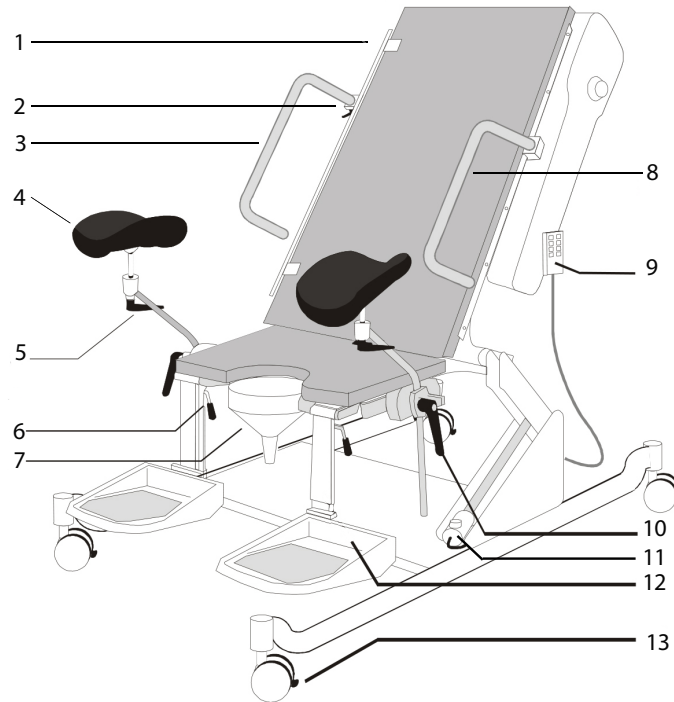


Adjustable in shown directions

# Video Fluoroscopy Table 6210

## Intended Use

The 6210 is intended to position the patient in a desired position during urodynamics or video fluoroscopy examinations and procedures.



## Description

1. Detachable side rail
2. Detachable arm rest holder
3. Detachable right arm rest
4. Leg rest
5. Leg rest adjustment screw, release screw to adjust angle of the leg rest and then secure.
6. Foot rest adjustment handle, use handle to set position.
7. Funnel, holder and bracket
8. Left arm rest
9. Hand control
10. Screw for adjusting the leg rest and the leg rest holder. Release the screw to adjust the height of the leg rest or the leg rest holder.
11. Emergency stop knob
12. Fold up foot rests
13. Wheels, with locking mechanism

## Operation range



# Controls

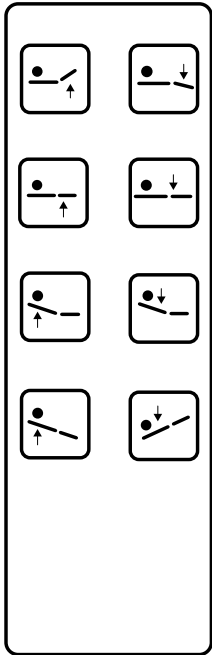
## General Operation

The table is operated with the hand control.

## Maximum Duty Cycle

2 minutes per 18 minutes

## Hand Control



1. Up (seat)
2. Down (seat)
3. Up (chair)
4. Down (chair)
5. Up (back)
6. Down (back)
7. Reverse Trendelenburg
8. Trendelenburg

## Emergency Stop

Use the emergency stop if you want to terminate all movements of the table.

- Activate the emergency stop by pushing the emergency stop knob.
- Deactivate by turning the knob to the right. The knob will then jump back to its original position.

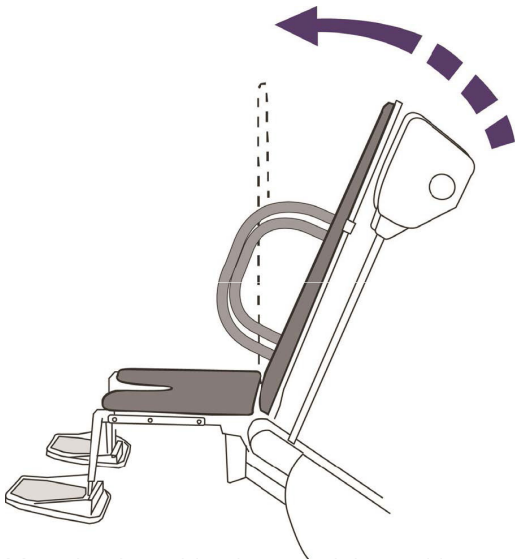
## Battery Back-Up System

The back-up battery charges every time the power cord is connected. The battery turns on automatically when the power is cut.

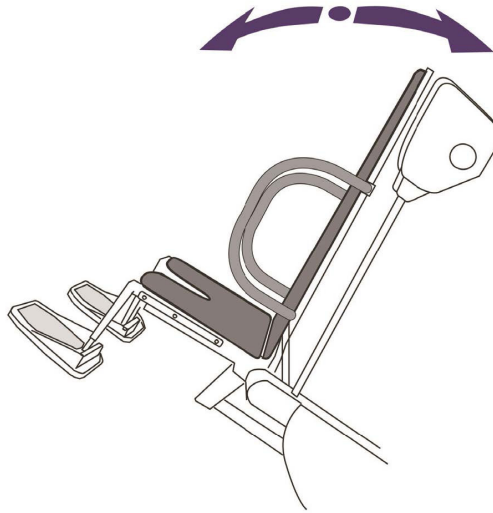
## Control of Pelvic Position

The chair can be used to rotate the pelvic area, this is described in the following section.

### Pelvic Rotation:

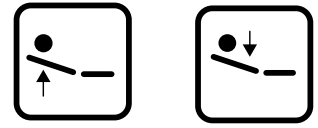


Move back cushion into up-right position, with the hand control.

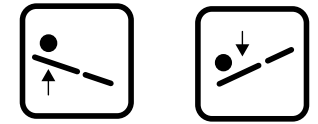


Use the hand control to rotate the table position.

### Hand control buttons:



Back up and back down



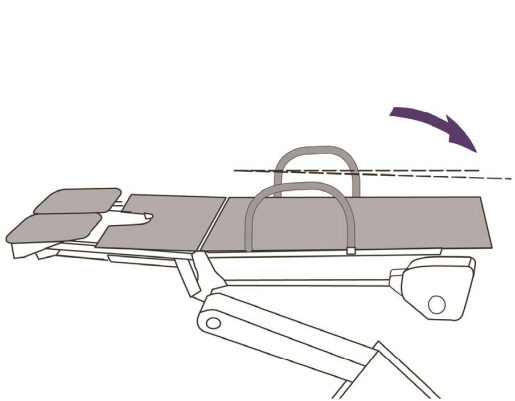
Reverse Trendelenburg and Trendelenburg

## Control of Standing Position

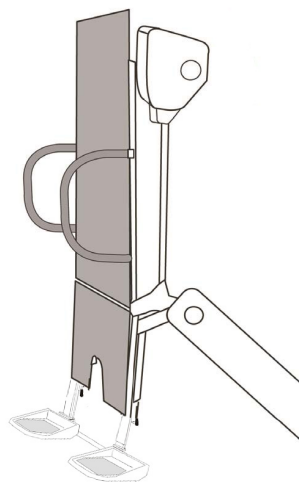
The table can be placed in a standing position, this is described in the following section. When standing on the footrests the footrests will hold the weight 551 Lbs, 250kg.

- Remove funnel and its holder, drainage receptacle or other accessory fitted beneath seat cushion before setting the table in standing position.
- Make sure the table is in its highest position before setting the table in standing position.

### Standing position:

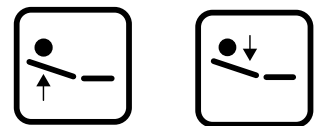


Use the hand control to lower the table back mattress **below horizontal position.**

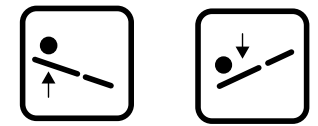


Use hand control to set the table into desired position.

### Hand control buttons:



Back up and back down



Reverse Trendelenburg and Trendelenburg

Used in Standing Position it is recommended to:

- use both arm rests
- have the footrests as close to the ground as possible, for patient comfort
- distribute the patient weight evenly between the two foot rests

# Accessories

The 6210 has several accessories, either standard or optional.

These are described in the following sections. Before use: always check that the accessories are mounted correctly.

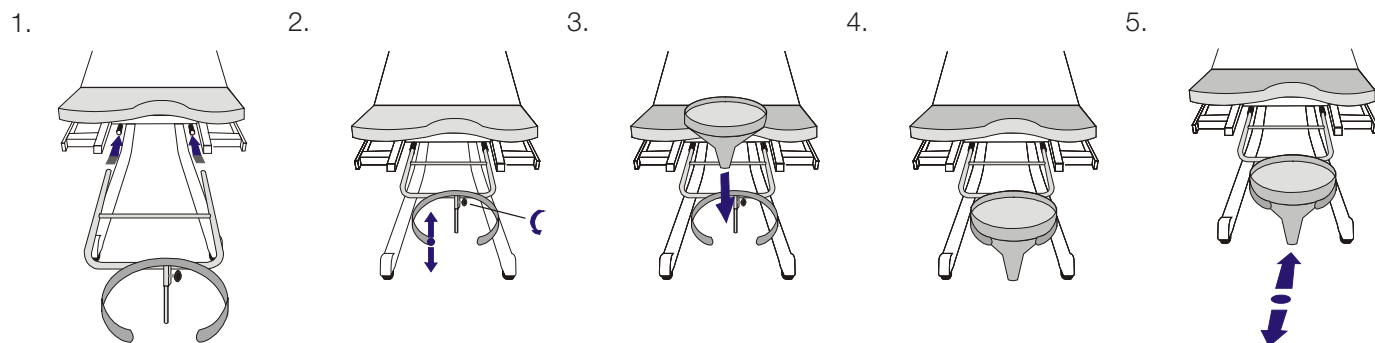
## Standard accessories

1 Hand control	524-6356
1 Plastic funnel w/drainage	524-6325-9
1 Arm rest holder	524-6338-4
1 Arm rest	524-6021-6
2 Leg rest holder	525-6338
2 Heavy duty Rissler Leg rest	525-6336
2 Fold up foot rest	525-6331-10
1 Side Rail	524-6329

## Plastic funnel drainage – adjustable height

Standard

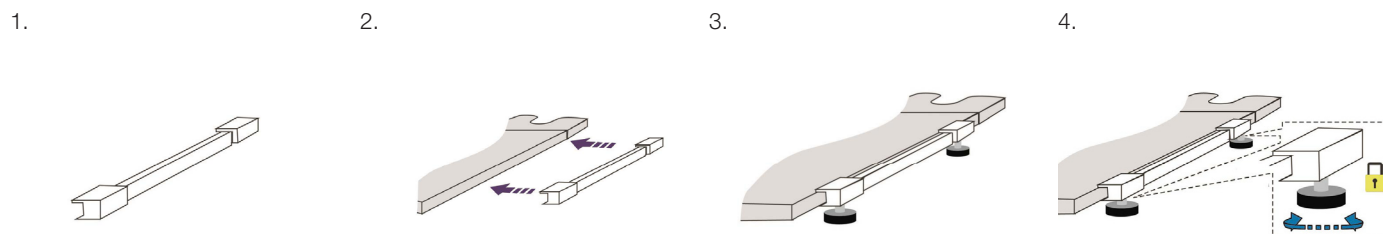
Installation:



## Detachable side rail – manual lock

Standard

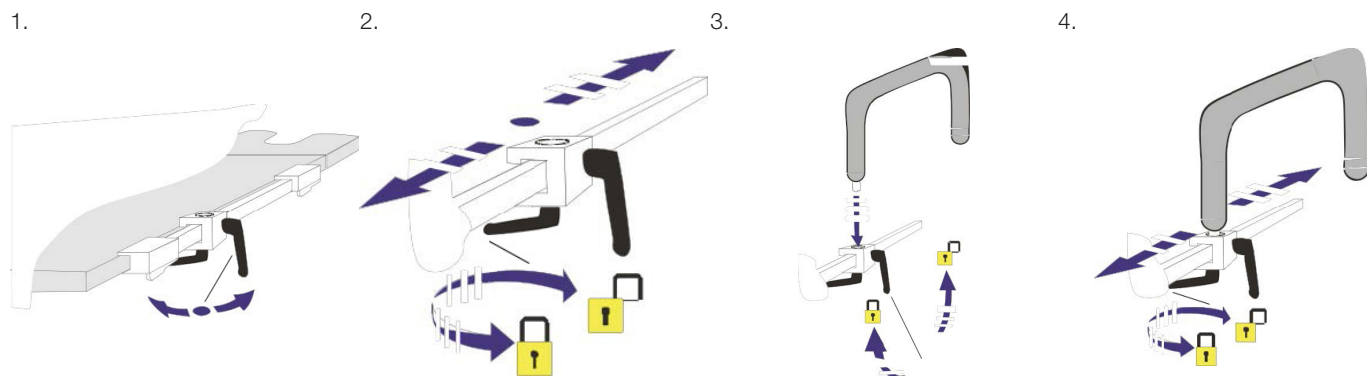
Installation:



## Arm rest

Standard

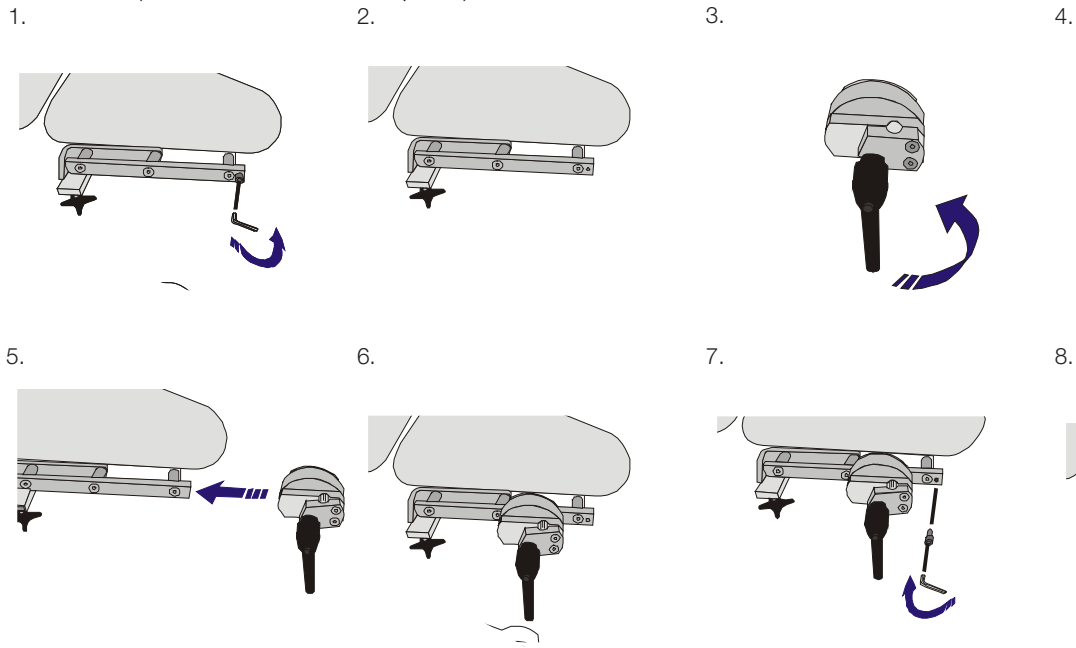
Installation:



## Leg rest holder

Standard

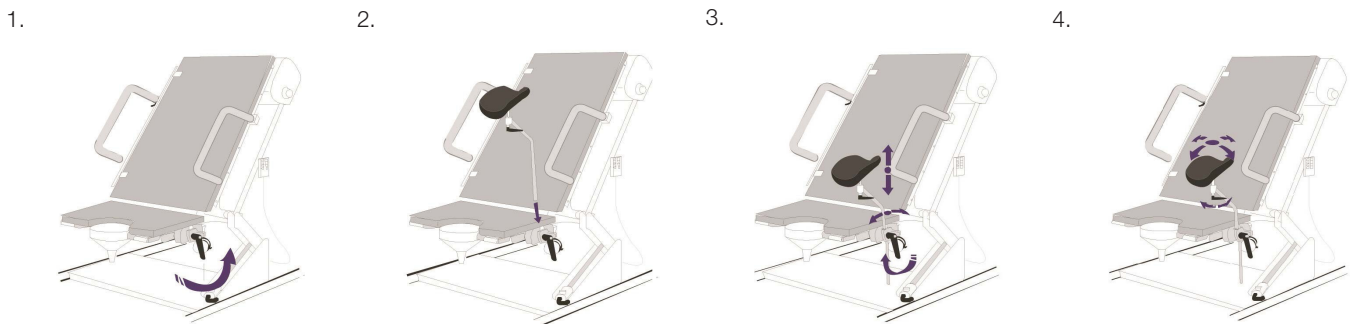
Installation (5 mm Allen wrench required):



## Leg rest

Standard

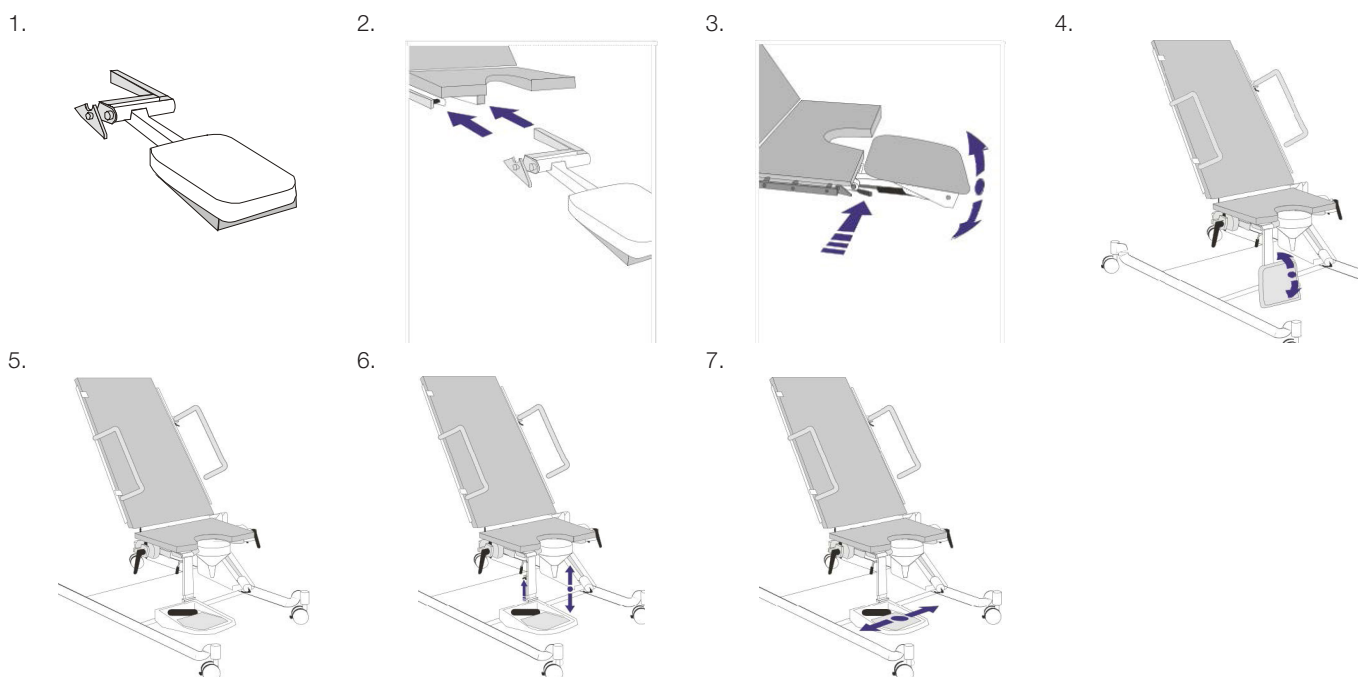
Installation:



## Foot rest

Standard

Installation:



# Maintenance

On a weekly basis, test the device for proper function and inspect cables for cuts and other damage. If in doubt, replace the relevant parts. The device should be cleaned routinely, as described in the Cleaning section. Additional preventive maintenance is required according to the Service Manual.

## Cleaning

- The unit needs to be unplugged from the wall power before any disinfection.
- Wipe all surfaces after each patient use.
- Please note that it is recommended to remove the seat cushion after each use and to wipe the surfaces below the seat cushion as well as the back of the seat cushion.
- Clean the chair with a dampened cloth and ordinary disinfectants. Follow established protocols for cleaning body fluids from the chair surfaces.
- Use any of the below listed recommended disinfectants on all surfaces. If they are not available, use any disinfectant with 1:10 dilution of bleach (5.25% sodium hypochlorite).

### Recommended disinfectants:

- PDI Sani-Cloth SANI-CLOTH ® Bleach Wipe: Germicidal Disposable wipe.
- Clorox HealthCare Disinfecting Wipes ®



**WARNING:** Improper, or lack of cleaning after each use of the chair will cause damage to the appearance and performance such as corrosion.



**WARNING:** Iodophor type disinfectants (betadine, for example) may stain the cushions.



**WARNING:** Prolonged contact with bleach solutions with improper dilution ratios (for) in any cleaning agent may cause damage to both the appearance and performance.

# Mattress cleaning instructions

The following cleaning and decontamination materials are known to be compatible with medical devices made of coated-flexible-foam and UltraFoam materials and rigid formed plastics, including rigid parts reinforced with carbon fiber or glass fiber:

- Rubbing alcohol (70 % isopropyl alcohol).
- Bleach solution (10 % household-type bleach in cold, cool or warm water).
- General-purpose soap- or detergent-type cleaners ("409", etc.) at their normal manufacturer-recommended strength.

**Avoid the following types of materials for cleaning:**

- Detergent cleaners/disinfectants that also contain hydrocarbon solvents such as butyl acetate, acetone, etc., which can dissolve plastic materials. Such cleaners are sometimes described as being intended for removal of graffiti, or heavy degreasing.
- Ammonia solutions, which can cause some plastics to turn greenish.
- Detergent-type cleaners at abnormally high concentrations (i.e. concentrated cleaners, intended to be used in diluted form, that instead are used in undiluted, concentrated form).
- Steam.
- Water or other cleaning materials at temperatures higher than 150°F/66°C.
- Certain grades of "Vesphene" and similar sterilants/cleaners.
- Acids of any kind.
- Rough brushes, aggressive scrubbers, sharp objects, and abrasive materials.
- Iodine solutions, such as "Betadine".

The most common clinical contaminants, i.e. skin oils, blood, urine, vomit, feces, contrast medium, etc., are cleanable from patient contact surfaces of CFI coated- flexible-foam, UltraFoam and rigid formed plastic products using general-purpose soap- or detergent-type cleaners ("409", etc.) at their normal manufacturer-recommended strength. If needed, rinse with clear water (temperature no higher than 150°F/66°C) to remove gross contamination before applying the cleaner. Dried contamination may need to be kept moist for an extended period to re-hydrate the contaminant material before cleaning.

Avoid vigorous scrubbing, stiff brushes, sharp objects such as knives and scrapers, abrasive cleansers, abrasive pads, steel wool, and similar cleaning methods that are capable of causing mechanical damage. Whenever possible, vomit and other aggressive contaminants should be wiped or washed off surfaces promptly so as to minimize the likelihood of permanent chemical-attack effects.

# Technical Data

## Model

Video Fluoroscopy Table, 6210, three motors (lift, seat, back).

## Power Supply

Power consumption: max 5.8A (120V~), 3.0A (230V~).

Input: 120 V ~ 60 Hz, 230 V ~ 60/50 Hz.

Output: 24VDC (to Motor).

Type of Protection: Class 1, Type B.

## Operating Conditions

Temperature +10°C to +40°C (50°F to 104°F).

Humidity 30% – 75%.

Atmospheric pressure 700hPa – 1060hPa.

## Storage Conditions/Transportation Requirements

Temperature -40°C to +70°C (-40°F to 158°F).

Humidity 10% – 80%rh.

Including Condensation.

Atmospheric Pressure 700hPa – 1060hPa.

## Disposal

The chair should be disposed or recycled according to local laws and regulations.

# Measures and Weights

## Video Fluoroscopy Table 6210

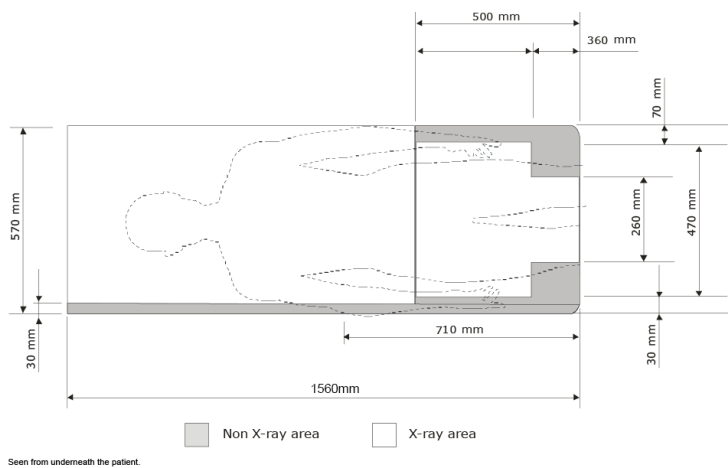
Unit	Width (max.)	Length (max.)	Height (min.-max.)	Chair weight (max.)
Metric (cm)	115	156 W/O extension 194-205 W/ extension	51-137	224 kg
US (Inches)	45	61 W/O extension 76-81 W/ extension	20-54	493 lbs.

**Seat tilt:** 0° to vertical 90°

**Back tilt:** vertical 90° to -15° trend

**Maximum patient weight:** 250 kg/551 lbs

# Imaging Area



# Classification

## Degree of protection against electric shock:

- Type B (Body): equipment providing particular degree of protection against electric shock, particularly regarding allowable leakage current.

## Degree of protection against harmful ingress of water:

- IPX6

## Degree of safety in presence of inflammable anesthetics:

- The device is not intended for use with flammable anesthetic gases.

## Mode of operation:

- Intermittent operation.

## Duty Cycle:

- 2 minutes per 18 minutes.

# Technical Lifetime

This product has a technical lifetime, which by Sonesta Medical AB is considered to be 10 years. At the time of delivery the product fulfils the existing regulations and standards, but as all other electro-mechanical products, the Sonesta Video Fluoroscopy table is subjected to age and wear, and even though the product undergoes regular and prescribed service, Sonesta Medical AB can not guarantee the product's safety after the expiry of the technical lifetime. Sonesta Medical AB recommends that the product is taken out of service after latest 10 years. By Sonesta Medical AB provided spare parts and service after the expiry of the specified technical lifetime does not mean an extension of Sonesta Medical AB's liabilities.



# Service Centers

## Sweden

Sonesta Medical AB  
Industrivägen 7  
SE-171 48 Stockholm  
Sweden

+46 8 50257280  
info@sonestamedical.se  
www.sonestamedical.se

## USA

Sonesta Medical Inc  
2 DeBush Avenue unit C3  
Middleton, MA 01949  
United States

+1 630-519-3450  
infous@sonestamedical.se  
www.sonestamedical.se

## Manufactured by

### Sonesta Medical AB

Industrivägen 7  
SE-171 48 Stockholm  
Sweden

+46 8 50257280  
info@sonestamedical.se  
www.sonestamedical.se/

