

**stryker<sup>®</sup>**  
**Medical**

---

---

*Advantage Series*

---

*1001 Emergency Care Stretcher*  
*1501 PACU Stretcher*  
*Maintenance Manual*

*For Parts or Technical Assistance*  
*800-327-0770*

# Table of Contents

---

|  |        |
|--|--------|
| Introduction   |        |
| Specifications .....   | 4      |
| Warning / Caution / Note Definition .....                      | 4      |
| Preventative Maintenance                                       |        |
| Checklist .....  | 5      |
| Cleaning .....   | 6      |
| Service Information  |        |
| Caster Assembly Replacement .....                              | 7      |
| Fifth Wheel Replacement .....                                  | 7      |
| Caster Cover Installation And Removal .....                    | 8      |
| Brake Cam Replacement .....                                    | 9      |
| Brake Ring Replacement .....                                   | 9      |
| Brake Adjustment .....   | 10     |
| Base Side Control Pedal Linkage Adjustment .....               | 10     |
| Base Side Control Brake/Steer Gear Replacement .....           | 11     |
| Uni-Pedal Replacement .....                                    | 11     |
| Jack Replacement .....   | 12     |
| Jack Torque Specifications .....                               | 13     |
| Hydraulic Troubleshooting .....                                | 13     |
| Removal Of Excess Air (Vacuum) From The Hydraulic System ..... | 13     |
| Checking Hydraulic Fluid Level .....                           | 14     |
| Jack Descent Rate Adjustment .....                             | 14, 15 |
| Adjustable P.C. Valve Replacement .....                        | 15, 16 |
| Hydraulic Valve Replacement .....                              | 17, 18 |
| Base Lubrication .....   | 19     |
| Big Wheel/Bearing Replacement .....                            | 20     |
| Big Wheel Adjustment .....                                     | 21     |
| Big Wheel Return Spring Adjustment .....                       | 21     |
| Pneumatic Fowler Adjustment .....                              | 22     |
| Replacement Parts .....  | 23     |
| Assembly Drawings and Parts Lists                              |        |
| Side Control Base Assembly .....                               | 24-27  |
| End Control Base Assembly .....                                | 28-31  |
| Brake Adjuster Assembly .....                                  | 32     |
| Brake Cam Assembly .....                                       | 33     |
| Side Control Pump Pedal Assembly .....                         | 34     |
| End Control Pump Pedal Assembly, Foot End .....                | 35     |
| End Control Pump Pedal Assembly, Head End .....                | 36     |
| Base Assembly with Steerlock Caster Option .....               | 37     |
| Caster Assembly with Steerlock .....                           | 38     |

# Table of Contents

---

## Assembly Drawings and Parts Lists (Continued)

|   |          |
|---|----------|
| Standard Caster Assembly .....                                | 39       |
| Base Assembly with Fifth Wheel Option .....                   | 40       |
| Pivot Rod Assembly .....                                      | 41       |
| Wheel Arm Assembly .....                                      | 42       |
| Side Control Big Wheel Base Assembly .....                    | 43-47    |
| End Control Big Wheel Base Assembly .....                     | 48-52    |
| Big Wheel Interface Assembly .....                            | 53       |
| Big Wheel Roller Assembly .....                               | 54       |
| Big Wheel Assembly .....                                      | 55       |
| Big Wheel Cam Assembly .....                                  | 56       |
| Jack Assembly .....   | 57       |
| Jack Base Assembly .....                                      | 58       |
| Constant Flow Jack Assembly .....                             | 59       |
| Constant Flow Jack Base Assembly .....                        | 60       |
| Jack Pump Piston Assembly .....                               | 61       |
| Base Assembly with Side Control Brakes .....                  | 62, 63   |
| Base Assembly with Uni-Lower Pedal .....                      | 64       |
| Base Assembly with Dual Lowering Pedals .....                 | 65       |
| Side Control Stretcher Base Labeling Assembly .....           | 66       |
| End Control Stretcher Base Labeling Assembly .....            | 67       |
| Big Wheel Side Control Stretcher Base Labeling Assembly ..... | 68       |
| Big Wheel End Control Stretcher Base Labeling Assembly .....  | 69       |
| Department Labels .....                                       | 70       |
| Litter Assembly, Fold to Head Siderails .....                 | 71, 72   |
| Siderail to Litter Assembly, Fold to Head .....               | 73-75    |
| Litter Assembly, Fold to Foot Siderails .....                 | 76, 77   |
| Siderail to Litter Assembly, Fold to Foot .....               | 78-80    |
| Dual Siderail Latch Assembly .....                            | 79       |
| Pneumatic Fowler Assembly .....                               | 82-90    |
| Crank Fowler Assembly .....                                   | 91, 92   |
| Fowler Crankscrew Assembly .....                              | 93       |
| Stationary Foot End Assembly .....                            | 94-99    |
| Crank Knee Gatch Assembly .....                               | 100-103  |
| Knee Gatch Crankscrew Assembly .....                          | 104      |
| Head End Push Handle Assembly .....                           | 105      |
| Foot End Push Handle Assembly .....                           | 106      |
| Push Handle Assembly .....                                    | 107      |
| Push Bar Assembly .....                                       | 108, 109 |
| Head Board/Pushbar Assembly .....                             | 110, 111 |

# Table of Contents

---

## Assembly Drawings and Parts Lists (Continued)

|   |          |
|---|----------|
| Removable I.V. Pole Assembly .....                | 112      |
| 2-Stage I.V. Pole Assembly .....                  | 113-120  |
| 3-Stage I.V. Pole Assembly .....                  | 121-126  |
| Fowler X-Ray Cassette Assembly .....              | 127-130  |
| Foot Board/Chartholder Assembly .....             | 131      |
| Upright Oxygen Bottle Holder Assembly .....       | 131      |
| Foot Extension/ Defibrillator Tray Assembly ..... | 132      |
| Defibrillator Tray Assembly .....                 | 133      |
| Heel Stirrup and Support Assembly .....           | 134      |
| Right Stirrup Support Assembly .....              | 135      |
| Left Stirrup Support Assembly .....               | 136      |
| Heel Stirrup Assembly .....                       | 137      |
| C-Spine Cassette Holder Assembly .....            | 138      |
| C-Spine Support Pole Assembly .....               | 139      |
| C-Spine Storage Bracket Assembly .....            | 140      |
| O <sub>2</sub> Bottle Retainer Assembly .....     | 141      |
| Mattresses and Siderail Pads .....                | 142, 143 |

## Warranty

|                                      |     |
|--------------------------------------|-----|
| Obtaining Parts and Service .....    | 144 |
| Supplemental Warranty Coverage ..... | 144 |
| Return Authorization .....           | 145 |
| Freight Damage Claims .....          | 145 |

# Introduction

---

## INTRODUCTION

This manual is designed to assist you with the maintenance of the 1001 Emergency Care Stretcher and the 1501 PACU Stretcher. Read it thoroughly before using the equipment or beginning any maintenance on it.

## SPECIFICATIONS

|                                       | 1001              | 1501         |
|---------------------------------------|-------------------|--------------|
| Maximum Weight Capacity               | 500 pounds        | 500 pounds   |
| Overall Bed Length \ Width            | 83 1/2" \ 31 1/2" | 83 1/2" \ 34 |
| Minimum \ Maximum Bed Height          | 22" \ 35"         | 22" \ 35"    |
| Fowler Angle                          | 0 to 90°          | 0 to 90°     |
| Knee Gatch Angle                      | 0 to 35°          | 0 to 35°     |
| Trendelenburg \ Reverse Trendelenburg | +12 to -18°       | +12 to -18°  |

Stryker reserves the right to change specifications without notice.

## WARNING / CAUTION / NOTE DEFINITION

The words WARNING, CAUTION and NOTE carry special meanings and should be carefully reviewed.

---

### WARNING

The personal safety of the patient or user may be involved. Disregarding this information could result in injury to the patient or user.

---

---

### CAUTION

These instructions point out special procedures or precautions that must be followed to avoid damaging the equipment.

---

### NOTE

This provides special information to make maintenance easier or important instructions clearer.

---

### WARNING

Patients should be discouraged from sitting directly on the ends of the stretcher. Excessive weight will cause the litter surface to tip up, possibly causing patient injury.

Always apply the caster brakes when a patient is getting on or off the stretcher. Push on the stretcher to ensure the brakes are securely locked. Always engage the brakes unless the stretcher is being moved. Injury could result if the stretcher moves while a patient is getting on or off the stretcher.

---

# Preventative Maintenance

---

## CHECKLIST

- \_\_\_\_\_ All fasteners secure (reference all assembly prints)
- \_\_\_\_\_ Siderails move and latch properly
- \_\_\_\_\_ Engage brake pedal and push on the stretcher to ensure all casters lock securely (page 10)
- \_\_\_\_\_ Steer function working properly
- \_\_\_\_\_ All casters secure and swivel properly
- \_\_\_\_\_ Body restraints working properly
- \_\_\_\_\_ I.V. pole intact and operating properly (page 113-126)
- \_\_\_\_\_ Oxygen bottle holder intact and operating properly (page 131)
- \_\_\_\_\_ Fowler operates and latches properly (pneumatic: page 22)
- \_\_\_\_\_ Knee Gatch operates properly
- \_\_\_\_\_ Trendelenburg/Reverse Trendelenburg operating properly
- \_\_\_\_\_ No rips or cracks in mattress cover
- \_\_\_\_\_ Ground chain intact
- \_\_\_\_\_ No leaks at hydraulic connections
- \_\_\_\_\_ Hydraulic jacks holding properly (page 13)
- \_\_\_\_\_ Hydraulic drop rate set properly (page 14)
- \_\_\_\_\_ Hydraulic oil level sufficient (page 14)
- \_\_\_\_\_ Lubricate where required, including the brake adjuster assembly and brake cam (page 19)
- \_\_\_\_\_ Accessories and mounting hardware in good condition and working properly
- \_\_\_\_\_ Optional Big Wheel adjusted properly (page 20)
- \_\_\_\_\_ Lubricate Big Wheel roller and linkage

Serial No. \_\_\_\_\_  
\_\_\_\_\_

|       |       |       |
|-------|-------|-------|
| _____ | _____ | _____ |
| _____ | _____ | _____ |

Completed By: \_\_\_\_\_ Date: \_\_\_\_\_

## NOTE

Preventative maintenance should be performed at a minimum of annually. A preventative maintenance program should be established for all Stryker Medical equipment. Preventative maintenance may need to be performed more frequently based on the usage level of the product.

## NOTE

References to the right or left side of the stretcher refer to the right and left sides of a patient lying face up on the stretcher.

# Cleaning

Hand wash all surfaces of the stretcher with warm water and mild detergent. Dry thoroughly. **DO NOT STEAM CLEAN, PRESSURE WASH, HOSE OFF OR ULTRASONICALLY CLEAN.** Using these methods of cleaning is **not** recommended and may void this product's warranty.

Clean Velcro **AFTER EACH USE**. Saturate Velcro with disinfectant and allow disinfectant to evaporate. (Appropriate disinfectant for nylon Velcro should be determined by the hospital.)

In general, when used in those concentrations recommended by the manufacturer, either phenolic type or quaternary type disinfectants can be used. Iodophor type disinfectants are not recommended for use because staining may result. The following products have been tested and have been found not to have a harmful effect **WHEN USED IN ACCORDANCE WITH MANUFACTURERS RECOMMENDED DILUTION.\***

| TRADE NAME                | DISINFECTANT TYPE | MANUFACTURER                             | *MANUFACTURER'S RECOMMENDED DILUTION |
|---------------------------|-------------------|--|--------------------------------------|
| A33                       | Quaternary        | Airwick (Professional Products Division) | 2 ounces/gallon                      |
| A33 (dry)                 | Quaternary        | Airwick (Professional Products Division) | 1/2 ounce/gallon                     |
| Beaucoup                  | Phenolic          | Huntington Laboratories                  | 1 ounce/gallon                       |
| Blue Chip                 | Quaternary        | S.C. Johnson                             | 2 ounces/gallon                      |
| Elimstaph                 | Quaternary        | Walter G. Legge                          | 1 ounce/gallon                       |
| Franklin Phenomysan F2500 | Phenolic          | Purex Corporation                        | 1 1/4 ounce/gallon                   |
| Franklin Sentinel         | Quaternary        | Purex Corporation                        | 2 ounces/gallon                      |
| Galahad                   | Phenolic          | Puritan Churchill Chemical Company       | 1 ounce/gallon                       |
| Hi-Tor                    | Quaternary        | Huntington Laboratories                  | 1/2 ounce/gallon                     |
| LPH                       | Phenolic          | Vestal Laboratories                      | 1/2 ounce/gallon                     |
| Matar                     | Phenolic          | Huntington Laboratories                  | 1/2 ounce/gallon                     |
| Omega                     | Quaternary        | Airwick (Professional Products Division) | 1/2 ounce/gallon                     |
| Quanto                    | Quaternary        | Huntington Laboratories                  | 1 ounce/gallon                       |
| Sanikleen                 | Quaternary        | West Chemical Products                   | 2 ounces/ gallon                     |
| Sanimaster II             | Quaternary        | Service Master                           | 1 ounce/gallon                       |
| Vesphene                  | Phenolic          | Vestal Laboratories                      | 1 1/4 ounce/ gallon                  |

Quaternary Germicidal Disinfectants, used as directed, and/or Chlorine Bleach products, typically 5.25% Sodium Hypochlorite in **dilutions ranging between 1 part bleach to 100 parts water, and 2 parts bleach to 100 parts water are not considered mild detergents. These products are corrosive in nature and may cause damage to your stretcher if used improperly.** If these types of products are used to clean Stryker patient handling equipment, measures must be taken to insure the stretchers are rinsed with clean water and thoroughly dried following cleaning. Failure to properly rinse and dry the stretchers will leave a corrosive residue on the surface of the stretcher, possibly causing premature corrosion of critical components.

## NOTE

Failure to follow the above directions when using these types of cleaners may void this product's warranty.

## REMOVAL OF IODINE COMPOUNDS

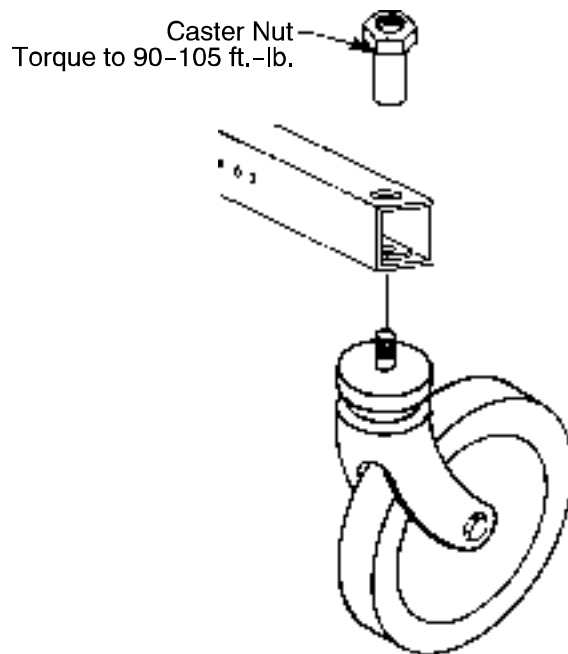
This solution may be used to remove iodine stains from mattress cover and foam footrest pad surfaces.

1. Use a solution of 1-2 tablespoons Sodium Thiosulfate in a pint of warm water to clean the stained area. Clean as soon as possible after staining occurs. If stains are not immediately removed, allow solution to soak or stand on the surface.
2. Rinse surfaces which have been exposed to the solution in clear water before returning bed to service.

# Service Information

---

## CASTER ASSEMBLY REPLACEMENT



1. Remove the old castor assembly.
2. Install the replacement castor and castor nut. Tighten the castor nut to 90-105 ft.-lb. with a torque wrench.

### NOTE

A new castor assembly with a 3M patch does not require the application of Loctite at assembly. However, the patch is appropriate for only one installation. If the castor is removed and reassembled for any reason, apply Loctite 242 to two or three threads of both the bolt and castor nut and tighten to 90-105 ft.-lb. with a torque wrench.

## FIFTH WHEEL REPLACEMENT

### Required Tools:

Pliers

String or Bungee Cord

3/16" Allen Wrench

(2) 9/16" Box End Wrenches

### Procedure:

1. Apply the stretcher brakes.
2. Pump the litter up to full height.
3. Lift and support the base hood using string or bungee cord.
4. Using pliers, remove the cotter pin from the end of the fifth wheel pivot rod and remove the two washers.
5. Pull up on the fifth wheel arm and pull down on the tension spring to release the pressure on the arm.
6. Using a 3/16" Allen wrench, remove the hex Allen bolt from the center of the pivot rod and pull the pivot rod out of the wheel arm.
7. Reverse the above steps to install a new fifth wheel assembly.

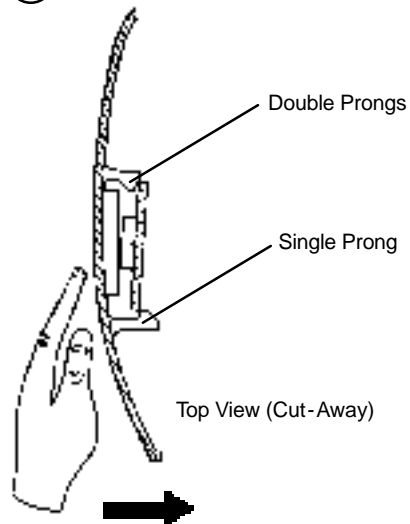
### NOTE

To replace the wheel only, use two 9/16" box end wrenches to remove the bolt and nut holding it to the wheel arm.

# Service Information

## CASTER COVER INSTALLATION AND REMOVAL

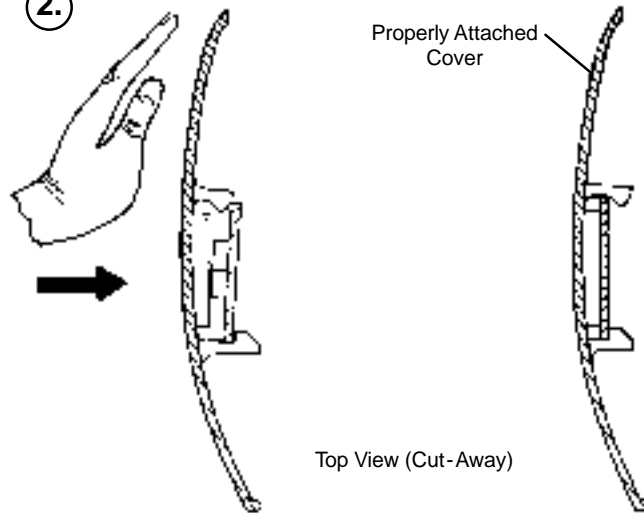
1.



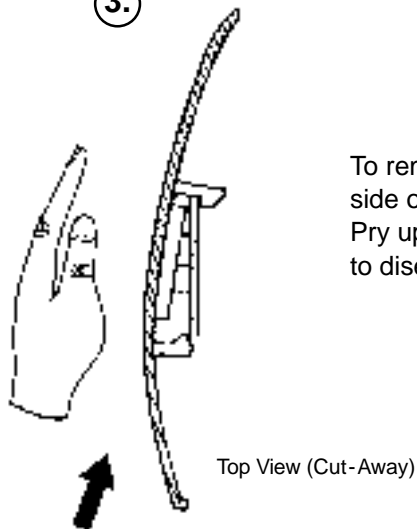
Push with palm on cover until double prongs engage.

Looking through the larger of the two side cut-outs, align cover with axle nut or bolt head, as shown. Push down on the opposite side of the cover until single prong engages with caster horn.

2.



3.



To remove wheel cover, insert large screwdriver into cut-out in side of wheel cover and into the space between the double prongs. Pry up cover to disengage double prongs and push sharply upward to disengage single prong.

# Service Information

---

## BRAKE CAM REPLACEMENT

Brake Cam Part Number 715-201-213

### Required Tools:

|                      |                       |                    |
|----------------------|-----------------------|--------------------|
| Phillips Screwdriver | String or Bungee Cord | 3/32" Allen Wrench |
| 1/8" Allen Wrench    |                       |                    |

### Procedure:

1. Remove the four Phillips screws holding the base hood to the frame. Lift and support the base hood using string or bungee cord.
2. Using a 3/32" Allen wrench, loosen the set screw holding the brake adjuster to the brake ring and turn the adjuster clockwise to remove it.
3. Using a 1/8" Allen wrench, remove the shoulder bolt and nut holding the brake link on the cam and remove the cam.
4. Reverse steps 3 and 4 to install the new cam. Verify the brakes are operating properly. If adjustment is required, see page 10. Reinstall the base hood.

## BRAKE RING REPLACEMENT

Brake Ring Part Number 715-1-61

### Required Tools:

|                            |                       |                                     |
|----------------------------|-----------------------|-------------------------------------|
| Phillips Screwdriver       | String or Bungee Cord | Floor Jack, Small Crate (or equiv.) |
| Large Standard Screwdriver | 3/32" Allen Wrench    | 11/16" Socket & Ratchet             |
| 5/8" Wrench                | Needle-Nose Pliers    | (2) 7/16" Wrenches                  |

### Procedure:

1. Remove the four Phillips screws holding the base hood to the frame. Lift and support the base hood using string or bungee cord. Put the brake/steer pedal in the neutral position. Lift the end of the base needing service until the casters are approximately 12" off the floor and support it with a jack or the equivalent.
2. Using a 3/32" Allen wrench, loosen the set screw holding the brake adjuster to the brake ring and turn the adjuster clockwise to remove it.
3. Remove the caster covers on both casters (see page 8).
4. Remove one of the casters (see page 7). On the other caster, use an 11/16" socket and ratchet and a 5/8" wrench to remove the nut and bolt holding the wheel on the caster horn and remove only the wheel.
5. Using needle-nose pliers, carefully squeeze and remove the spring between the brake cam and the brake ring.

---

### WARNING

The spring is tightly compressed. Use caution when removing it or personal injury could result.

---

6. If you are working on an end control base, remove the spring from the pump pedal.
7. Lower the brake ring and remove it from the base. Remove the brake pads and bushings and install them on the new brake ring.
8. Reverse the above steps to install the new brake ring and reinstall the caster and wheel. Apply and release the brakes to verify they operate properly. If adjustment is required, see page 10. Reinstall the base hood.



# Service Information

---

## BASE SIDE CONTROL BRAKE/STEER GEAR REPLACEMENT

### Required Tools:

|                            |                       |                          |
|----------------------------|-----------------------|--------------------------|
| Pliers                     | String or Bungee Cord | Floor Jack or Equivalent |
| 1/8" Allen Wrench          | 5/32" Allen Wrench    | 3/8" Box End Wrench      |
| (2) 9/16" Box End Wrenches | 3/16" Punch           | 1/4" Punch               |
| Hammer                     |                       |                          |

### Procedure:

1. Apply the stretcher brakes.
2. Pump the litter up to full height.
3. Lift and support the base hood using string or bungee cord.
4. Using pliers, remove the cotter pins from both jack pump pistons and the pump linkage.
5. Using the 9/16" box end wrenches, remove the two bearing plate bolts.
6. Remove the cotter pin on the side brake bar.
7. Remove the bearing plate and pull out the idler gear rod while holding onto the gear. Lift the gear out.
8. Slide the miter gear away from the rod spacer and remove the dowel pin.
9. Using the floor jack, raise the side of the base you are working on approximately four inches.
10. Rotate the brake bar so the pedals are upside down.
11. Using a 1/4" punch and a hammer, remove the groove pin from the side brake rod.
12. Using a 3/16" punch and hammer, remove the 3/16" groove pin from the pedal.
13. Using a 5/32" Allen wrench, remove the set screw from the collar inside the gear box.
14. Remove the brake rod while holding the gear on the rod.
15. Using a 1/8" Allen wrench and a 3/8" box end wrench, remove the nuts and bolts holding the brake link to the rod.
16. Using a 5/32" Allen wrench, remove the set screw from the collar outside of the gear box.
17. Using a 1/4" punch, remove the roll pin from the cam and brake link collar.
18. Reverse the above steps to install the replacement gear.
19. Inspect each gear for wear. Lube with MPG-2 grease or the equivalent if necessary.

## UNI-PEDAL REPLACEMENT

### Required Tools:

|                         |            |                |
|-------------------------|------------|----------------|
| Drill w/3/16" Drill Bit | Floor Jack | Pop Rivet Tool |
|-------------------------|------------|----------------|

### Replacement Procedure:

1. Set the stretcher brake and pump the litter up fully.
2. Use the floor jack to raise the side of the base frame off the floor approximately four inches.
3. Using a drill with a 3/16" drill bit, drill out the rivets on the bottom of the pedal to be replaced.
4. Using a pop rivet tool and rivets, install the replacement pedal.
5. Lower the stretcher to the floor. Test the operation of the pedal before returning the stretcher to service.

# Service Information

---

## JACK REPLACEMENT (WITHOUT COMPRESSION SPRING)

### Required Tools:

3/8" Wrench

1/2" Socket

1/2" Wrench

Needle-Nosed Pliers

### Replacement Procedure:

1. Apply stretcher brakes. Raise litter to full up. Raise Fowler to full up and raise siderails.
2. Use a 3/8" wrench to remove the bolt in the litter support tube above black bellows on both ends.
3. With the assistance of another person, lift off the stretcher litter and set it aside, taking care not to damage the siderails, etc.
4. Push down on the jack actuator to put the jack in the full down position.
5. Lift off the plastic base hood, separating the Velcro holding it to the base frame.
6. Using a 1/2" socket and 1/2" wrench, remove the four bolts, washers and nuts holding the jack support straps to the base frame.
7. Using needle-nosed pliers, remove the two cotter keys on the pump link and remove the pump link.
8. Using a 1/2" socket and a 1/2" wrench, remove the four bolts holding the jack base to the base frame (using a 3" extension may be required). Remove the jack from the base frame.
9. Reverse steps 6-8 to install the replacement jack. Reinstall the base hood and the stretcher litter.

## JACK REPLACEMENT (WITH COMPRESSION SPRING)

### Required Tools:

3/8" Wrench

Needle-Nosed Pliers

Straight Screwdriver

Spring Compression Tool

### Replacement Procedure:

1. Apply stretcher brakes. Raise litter to full up. Raise Fowler to full up and raise siderails.
2. Use a 3/8" wrench to remove the bolt in the litter support tube above black bellows on both ends.
3. With the assistance of another person, lift off the stretcher litter and set it aside, taking care not to damage the siderails, etc.
4. Push down on the jack actuator to put the jack in the full down position.
5. Lift off the plastic base hood, separating the Velcro holding it to the base frame.
6. Using needle-nosed pliers, pull cotter pin from pump cylinder.
7. Using a straight screwdriver and pump spring compression tool (available upon request), compress the pump spring and pry the pump link out of the pump cylinder.

---

### CAUTION

Be sure not to let the pump piston come out of the jack or damage may occur.

8. Remove and replace jack as described in the procedure above.
9. Replace pump spring and pump link using the straight screwdriver and the pump compression tool.
10. Reinstall the base hood and the stretcher litter.

# Service Information

## JACK ASSEMBLY TORQUE SPECIFICATION

### Jack Assembly with Threads Oiled

- |   |                      |
|---|----------------------|
| 1. Jack Cap Assembly to Jack Actuator Cylinder  | 75 to 85 Foot Pounds |
| 2. Jack Actuator Cylinder to Jack Base Assembly | 55 to 65 Foot Pounds |

### Jack Base Assembly with Threads Oiled

- |   |                      |
|---|----------------------|
| 1. Jack Pump Cylinder to Jack Base Machined | 45 to 55 Foot Pounds |
| 2. Jack Pin Housing to Jack Base Machined   | 35 to 45 Foot Pounds |
| 3. Jack Base Plugs to Jack Base Machined    | 8 to 12 Foot Pounds  |
| 4. Jack Valve Plug to Jack Base Machined    | 8 to 12 Foot Pounds  |
| 5. Flow Control Valve to Jack Base Machined | 16 to 20 Foot Pounds |

## HYDRAULIC TROUBLESHOOTING

Be sure the pedal linkage has been adjusted properly before beginning service on the jacks (see page 10).

| PROBLEM/SYMPTOM  | SOLUTION   |
|--|--|
| Jack will not raise to full height.  | Add hydraulic fluid (see p.14). Check for leaks.   |
| Jack will not hold in raised position.   | Close the needle valve completely. If the jack holds, replace the release valve (see p.18).  |
| Jack will not pump up and the jack actuator rod <b>does not</b> move.                              | Close the needle valve. If the jack will now pump up, replace the release valve (see p.18). If the jack still will not pump up after closing the needle valve, replace the poppet valve (see p. 18). |
| Jack will not pump up but the jack actuator rod <b>does</b> move when the pump pedal is activated. | Replace the check valve (see p. 17).   |
| Jack will not pump up and the jack actuator rod may or may not move.                               | Remove excess air (vacuum) in system (see below).  |

Contact Stryker technical service at 1-800-327-0770 for further assistance.

## REMOVAL OF EXCESS AIR (VACUUM) FROM THE HYDRAULIC SYSTEM

### Procedure:

1. Verify all hydraulic linkages are secure and operating properly (see pedal linkage adjustment procedure page 10).
2. Using pump pedal, actuate system several times. This will force the air through the system and the jack should now pump up.

# Service Information

---

## CHECKING HYDRAULIC FLUID LEVEL

### Required Tools:

3/8 Open End Wrench

3/4 Open End Wrench

### Procedure:

---

#### WARNING

To avoid personal injury or damage to the stretcher, remove the litter and the base hood before beginning service on the jacks.

1. Using a 3/8 open end wrench, remove square head set screws from both head and foot end jack support tubes. Remove litter top and set aside.
2. Lift base hood off base frame and set aside.
3. Be sure there are no hydraulic leaks. If there are, jack replacement will be necessary.
4. Lower the jack to the full down position.
5. Using a 3/4 open end wrench, slowly turn the fill plug located on the side of the reservoir counterclockwise to allow excess system pressure to vent. Remove the fill plug.
6. The hydraulic fluid should be visible at the bottom of the fill hole. If it is not, add Mobil Aero HFA hydraulic fluid (Stryker part number 2020-70-475) until the fluid is visible at the bottom of the fill hole. Replace the fill plug.

---

#### CAUTION

Use of other types of oil may damage hydraulic units.

7. Replace the hood and the litter.

## JACK DESCENT RATE ADJUSTMENT

### Required Tools:

Screwdriver

Bungee Cords (or equivalent)

### Adjustment Procedure:

1. Pump the litter up to full height.
2. Lift the base hood, separating the hood from the base frame. Using the bungee cords, support the base hood.
3. The descent rate needle valve is located on the base of the jack. Turning the needle valve clockwise, with a screwdriver, will decrease the rate of descent. Turning it counterclockwise will increase the rate of descent.
4. Adjust the needle valve so that the foot end of the stretcher descends slightly faster than the head end.

#### NOTE

The larger percentage of a patient's weight is located in the torso area. Adjust descent rate accordingly.

5. Remove the bungee cords supporting the base hood and secure the hood to the base frame.

#### NOTE

The jack descent rate was preset at the factory to drop the foot end faster than the head. It is recommended that the foot drop faster to avoid patient disorientation.

# Service Information

---

## CONSTANT FLOW JACK DESCENT RATE ADJUSTMENT

### Required Tools:

Bungee Cords

### Adjustment Procedure:

1. Pump the litter up to full height
2. Lift the base hood, separating the Velcro holding it to the base frame.
3. The adjustable descent valve is located on the base of the jack and has a blue knob on the end. To adjust, loosen the silver locking ring by turning it counterclockwise. Turning the blue knob clockwise will increase the rate of litter descent. Turning it counterclockwise will decrease the rate of descent.
4. Adjust the valve so that the jack at the foot end of the stretcher will descend slightly faster than the jack at the head end.
5. Remove the bungee cords supporting the base hood and secure the hood to the base frame.

### NOTE

The jack descent rate was preset at the factory to lower the foot end 3-7 seconds faster than the head. It is recommended to have the foot end lower faster to avoid patient disorientation.

## ADJUSTABLE PRESSURE COMPENSATED (P.C.) VALVE REPLACEMENT

P.C. Valve Part Number 5050-70-50

---

### WARNING

To avoid personal injury or damage to the stretcher, always remove the litter and the base hood before beginning service on the jacks. Lower the jack rod completely to relieve the pressure on the pump piston side of the jack.

---

### Required Tools:

3/8" Wrench

13/16" Wrench

### Replacement Procedure:

### NOTE

It requires two people to safely perform this procedure.

1. Apply the stretcher brakes. Raise the litter to full up. Raise the Fowler and the siderails.
2. Using a 3/8" wrench, remove the bolts in the litter support tubes above the black bellows on both ends of the litter.
3. With the assistance of another person, lift the litter off the base and set it aside, taking care not to damage the leg section linkages and other litter components.
4. Push down on the jack actuator to put the jack in the full down position.
5. Lift off the plastic base hood, separating the Velcro holding it to the base frame.

# Service Information

---

## ADJUSTABLE PRESSURE COMPENSATED (P.C.) VALVE REPLACEMENT (CONTINUED)

6. Using a 13/16" wrench, remove the adjustable P.C. valve.
7. Check for any contaminants in the valve as well as in the jack base.
8. Install the replacement P.C. valve. Moisten the O-ring seal with hydraulic fluid to ensure a tight seal.
9. Tighten the valve manually and then an additional 1/8- 1/4 turn with a 13/16" wrench. **Do not over -tight-en** or damage may occur to the O-ring seal.
10. Pump up the jack to the maximum height and press the release pedal to lower it to check the jack's operation.
11. Check for any hydraulic fluid leaks before replacing the base hood and litter.

# Service Information

## HYDRAULIC VALVE REPLACEMENT

### Required Tools:

3/8 Open End Wrench  
3/4 Open End Wrench

Stiff Wire (with bent, pointed end)  
Torque Wrench (with Ft. Lbs. adjust.)

Small Needle Nose Pliers  
7/32 Hex Allen Wrench

### Replacement of Check Valve

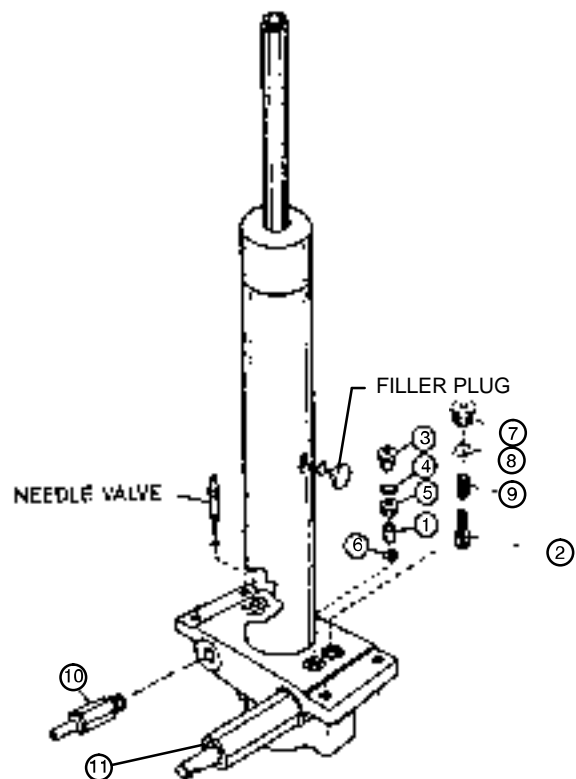
#### WARNING

To avoid personal injury or damage to the stretcher, remove the litter and the base hood before beginning service on the jacks. Lower the jack rod completely to relieve the pressure on the pump piston side of the jack. This will prevent large hydraulic fluid loss and possible damage when the base plugs are removed.

1. Remove the base plug (3) and the seal (4).
2. Remove the valve plug (5).
3. Using a stiff wire with a bent, pointed end, remove the valve (1).
4. Install the new valve (1) with the beveled end up (as shown in the illustration).
5. Reinstall the valve plug (5) with the beveled end down toward valve (1) and tighten to 10 foot-pounds torque.
6. Reinstall the seal (4) and the base plug (3) and tighten to 10 foot-pounds torque.
7. Pump up the jack to the maximum height.
8. Be sure there are no hydraulic leaks before replacing the base hood and the litter.

| ITEM | PART NO.    | PART NAME          |
|------|-------------|--------------------|
| 1    | 926-20-153  | Check Valve        |
| 2    | 715-1-341   | Poppet             |
| 3    | 715-1-301   | Base Plug          |
| 4    | 926-20-156  | Seal               |
| 5    | 715-1-309   | Valve Plug         |
| 6    | 926-20-154  | Seal               |
| 7    | 715-1-301   | Base Plug          |
| 8    | 926-20-156  | Seal               |
| 9    | 390-2-134   | Compression Spring |
| 10   | 715-270-100 | Valve Assembly*    |
| 10   | 2025-700-26 | Valve Assembly**   |
| 11   | 715-100-325 | Pump Piston        |

\* Used on jack part number 1231-70-10.  
\*\* Used on jack part number 1231-70-210.  
(See label on side of jack reservoir for jack part number).



# Service Information

---

## HYDRAULIC VALVE REPLACEMENT (CONTINUED)

### Replacement of Release Valve

---

#### **WARNING**

To avoid personal injury or damage to the stretcher, remove the litter and the base hood before beginning service on the jacks. Lower the jack rod completely to relieve the pressure on the pump piston side of the jack. This will prevent large hydraulic fluid loss and possible damage when the base plugs are removed.

---

1. Remove the release valve (10).
2. Install the new release valve (10).
3. Pump up the jack to the maximum height.
4. Be sure there are no hydraulic leaks before replacing the base hood and the litter.

### Replacement of Poppet Valve

---

#### **WARNING**

To avoid personal injury or damage to the stretcher, remove the litter and the base hood before beginning service on the jacks. Lower the jack rod completely to relieve the pressure on the pump piston side of the jack. This will prevent large hydraulic fluid loss and possible damage when the base plugs are removed.

---

1. Remove the base plug (7) and the seal (8).
2. Remove the compression spring (9).
3. Using small needle nose pliers, remove the poppet valve (2).
4. Install the new poppet valve (2).
5. Reinstall the compression spring (9).
6. Reinstall the seal (18) and the base plug (7) and tighten to 10 foot-pounds torque.
7. Pump up the jack to the maximum height to check its operation.
8. Check for hydraulic leaks before replacing the base hood and the litter.

# Service Information

## BASE LUBRICATION



# Service Information

---

## BIG WHEEL/BEARING REPLACEMENT

### Required Tools:

15/16" Wrench or Socket & Ratchet                      (2) Bungee Cords                      Torque Wrench  
Small Standard Screwdriver

### Procedure:

1. Apply the stretcher brakes.
2. Pump the litter up to full height.
3. Lift the base hood and support it from the litter frame using bungee cords.
4. Using a small standard screwdriver, remove the big wheel hub cap, being careful not to damage the outer surface of the hub cap (see page 46 for part reference).
5. Using a 15/16" wrench or socket and ratchet, remove the nut holding the big wheel to the frame. Remove the bearing and sleeve (see page 55 for part reference).
6. Install the replacement bearing and the sleeve onto the wheel bolt. Install the big wheel and outer bearing.
7. Install the nut and tighten it to 30 foot-pounds using a torque wrench.
8. Remove the bungee cords and reinstall the base hood.
9. Verify the brake and steer functions are working properly before returning the bed to service.

## BIG WHEEL ADJUSTMENT

### Required Tools:

9/16" Wrench                      (2) Bungee Cords                      Small Ruler or Tape Measure

### Procedure:

1. Apply the stretcher brakes.
2. Pump the litter up to full height.
3. Lift the base hood and support it from the litter frame using bungee cords.
4. Using a 9/16" wrench, remove the two side bolts on the cam adjuster block (see page 46 for part reference).
5. Release the brakes and engage the big wheel.
6. Adjust the two top bolts on the adjuster block equal amounts so the foot end casters are raised off the floor 1/4". Reinstall the two side bolts on the cam adjuster block after applying Loctite to both bolts.
7. Apply the stretcher brakes.
8. Remove the bungee cords and reinstall the base hood.
9. Verify the brake and steer functions are working properly before returning the bed to service.

# Service Information

---

## BIG WHEEL RETURN SPRING ADJUSTMENT

### Required Tools:

1/2" Deep Well Socket & Ratchet      (2) Bungee Cords

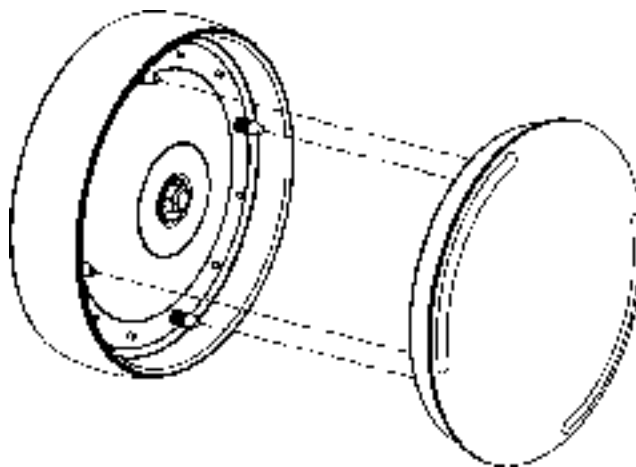
### Procedure:

1. Apply the stretcher brakes.
2. Pump the litter up to full height.
3. Lift the base hood and support it from the litter frame using bungee cords.
4. Using a 1/2" deep well socket and ratchet, loosen the nut on the eyebolt to the end of the threads. Remove the spring from the frame and eyebolt (see page 46 for part reference).
5. Install the new spring and tighten the nut on the eyebolt.
6. Check for proper operation.
7. Apply the stretcher brakes.
8. Remove the bungee cords and reinstall the base hood.
9. Verify the brake and steer functions are working properly before returning the bed to service.

## BIG WHEEL HUBCAP REMOVAL

### Required Tools:

Large Standard Screwdriver



### Removal Procedure:

1. Using a large standard screwdriver, pry evenly around the entire edge of the Big Wheel hubcap until it pops off the mounting studs on the wheel.

---

### CAUTION

Do not attempt to pull off the hubcap after prying up only one side. Damage to the slots on the hubcap or the mounting studs on the wheel could result.

2. To reinstall the hubcap, place it on the wheel, aligning the slots in the hubcap with the mounting studs on the wheel. Press down evenly on the edges of the hubcap until it snaps into place.

# Service Information

---

## **PNEUMATIC FOWLER ADJUSTMENT (OUTSIDE MOUNTED CYLINDERS)**

### **Required Tools:**

5/32" Hex Allen Wrench                      1/2" Open End Wrench

### **Adjustment Procedure:**

1. Refer to drawings 1210-31-120 or 1710-31-120 (Pneumatic Fowler Assembly, page 83 or page 85) for parts reference.
2. For easier access, move Fowler to 75 degrees or higher.
3. Using a 1/2" open end wrench, loosen the nuts (item K) in the actuator arms on the end of the trip bar (F).
4. To adjust the Fowler, use a 5/32" hex Allen wrench to turn the Allen screws (item N) 1 to 2 turns counter-clockwise if the Fowler will not move or 1 to 2 turns clockwise if the Fowler will not hold its position.
5. Retighten the nuts. Be sure the Fowler will travel from flat to 90° and down again and will hold its position when weight is applied before returning the stretcher to service.

## **PNEUMATIC FOWLER ADJUSTMENT (CENTER MOUNTED CYLINDERS)**

### **Required Tools:**

3/32 Hex Allen Wrench                      1/2 Socket w/Ratchet                      1/8 Hex Allen Wrench  
Channel Lock Pliers                      5/32 Hex Allen Wrench                      Towel or Cloth  
7/16 Open End Wrench                      Thread "Loctite"

### **Adjustment Procedure:**

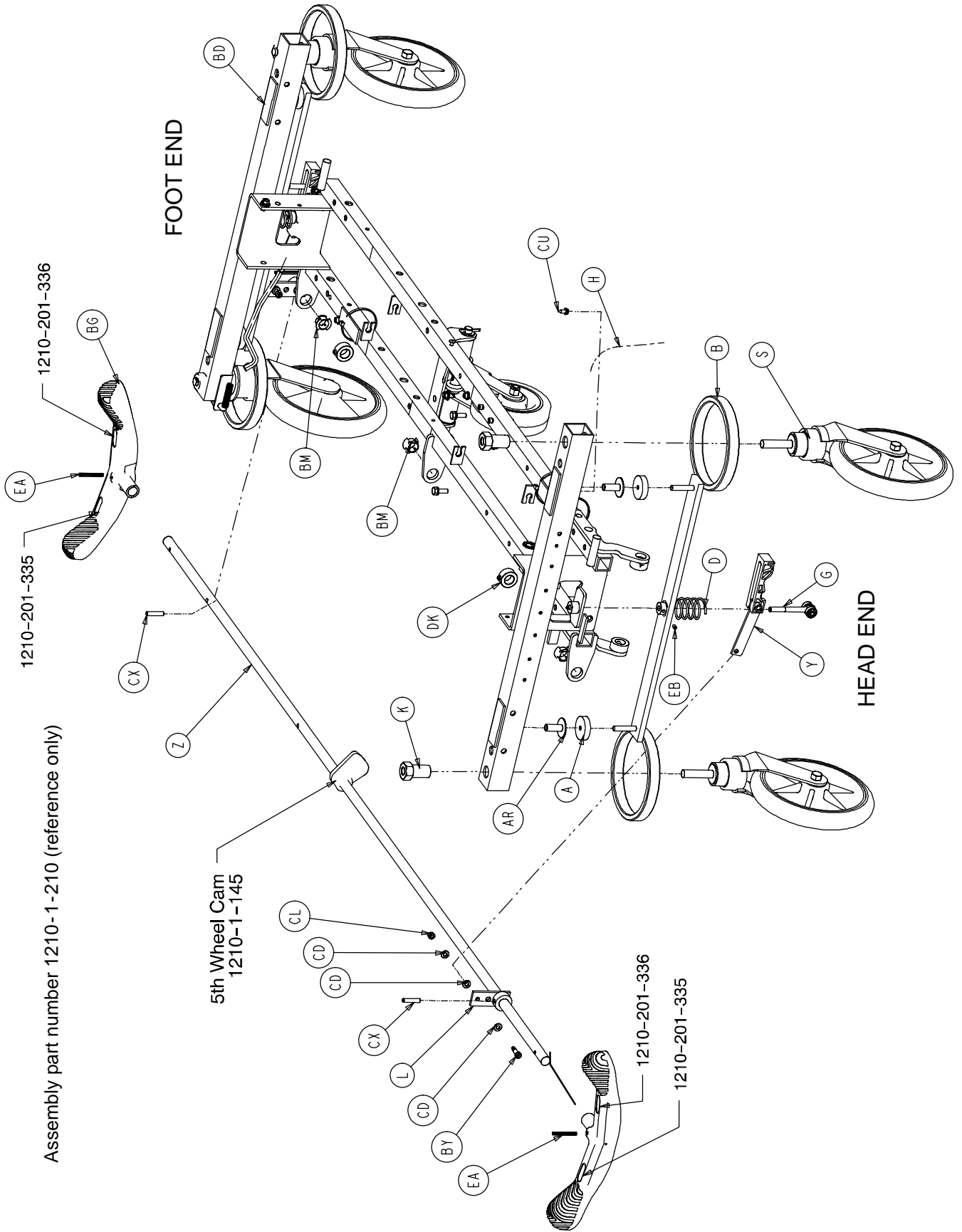
1. Refer to drawings 1211-31-10 & 1211-131-20 or 1711-31-10 & 1711-131-20 (Pneumatic Fowler Assembly, page 87 & 88 or page 89 & 90) for parts reference.
2. For easier access, move Fowler to 75 degrees or higher.
3. Using a 3/32" hex Allen wrench, remove set screws (K on p. 88 or 90), located in center of yokes (Y on p. 88 or 90).
4. Using a 9/16" box end wrench and 5/16" hex Allen wrench, remove the cap screws (A on p. 87 or 89), flat washers (C on p. 87 or 89) and hex nuts (D on p. 87 or 89) holding the gas cylinders (K on p. 87 or 89) to the litter frame.
5. To adjust the Fowler, turn the gas cylinder 1 to 2 turns counterclockwise if the Fowler will not move and 1 to 2 turns clockwise if the Fowler will not hold its position.
6. Replace the cap screws (A) and check the Fowler adjustment. Lower the Fowler approximately 10° to 20°, release the handle and apply weight to the Fowler to assure it will hold its position. If the Fowler will not lower or will not hold its position when weight is applied, repeat step 5.
7. When the Fowler is properly adjusted, replace the washers (C) and hex nuts (D) to secure the pivot bolts.
8. Using thread locktite, reinstall set screws (K).

# Replacement Parts

---

| <b><u>PART NAME</u></b>                                 | <b><u>PART NUMBER</u></b> |
|---|---------------------------|
| Brake Adjuster Service Tool .....                       | 715-700-150               |
| C-Spine Cassette Holder .....                           | 1001-70                   |
| Defibrillator/Equipment Tray .....                      | 926-39                    |
| Foot Board/Chartholder .....                            | 926-40                    |
| Foot Extension/Defibrillator Tray Assembly .....        | 1010-50-100               |
| Fowler X-Ray Cassette Tray .....                        | 1211-143-12               |
| Head/Foot Board Assembly (2) .....                      | 946-29-100                |
| Head Board/Push Bar .....                               | 1211-139-10               |
| Hydraulic Jack, Constant Descent .....                  | 1231-70-210               |
| Hydraulic Jack, Variable Descent .....                  | 1231-70-10                |
| Hydraulic Oil, Mobil Aero HFA - 1 Quart .....           | 2020-70-475               |
| Instrument/Serving Tray .....                           | 1052-129                  |
| I.V. Caddy .....  | 1050-1-100                |
| I.V. Pole, Standard, Removable .....                    | 390-25                    |
| I.V. Pole, Tethered .....                               | 1001/1501-117             |
| I.V. Pole, 2-Stage Permanently Attached, Head End ..... | 1001/1501-110             |
| I.V. Pole, 2-Stage Permanently Attached, Foot End ..... | 1001/1501-112             |
| I.V. Pole, 3-Stage Permanently Attached, Head End ..... | 1001/1501-111             |
| I.V. Pole, 3-Stage Permanently Attached, Foot End ..... | 1001/1501-113             |
| Mattress, 2" x 26", Standard .....                      | 1059-226-140              |
| Mattress, 3" x 26" Standard .....                       | 1059-326-140              |
| Mattress, 3" x 29", Standard .....                      | 1059-329-140              |
| Mattress, 4" x 26", Standard .....                      | 1059-426-140              |
| Mattress, 4" x 29", Standard .....                      | 1059-429-140              |
| Mattress, 3" x 26", Enhanced Comfort .....              | 1001-48-106               |
| Mattress, 3" x 29", Enhanced Comfort .....              | 1501-48-106               |
| Mattress, 4" x 26", Enhanced Comfort .....              | 1001-47-106               |
| Mattress, 4" x 29", Enhanced Comfort .....              | 1501-47-106               |
| Mattress, 4" x 26", Ultra Comfort .....                 | 1210-40-4                 |
| Mattress, 5" x 26", Ultra Comfort .....                 | 1210-40-5                 |
| Mattress, 4" x 29", Ultra Comfort .....                 | 1710-40-4                 |
| Mattress, 5" x 29", Ultra Comfort .....                 | 1710-40-5                 |
| Oxygen Bottle Holder Assembly .....                     | 1020-30                   |
| Paint, Touch-Up, Gloss Black, Bottle w/Brush .....      | 7000-1-322                |
| Paint, Touch-Up, Gloss Black, Spray Can .....           | 7000-1-319                |
| Paint, Touch-Up, Gray, Bottle w/Brush .....             | 7000-1-320                |
| Paint, Touch-Up, Gray, Spray Can .....                  | 7000-1-317                |
| Restraint Strap, Ankle .....                            | 946-43-100                |
| Restraint Strap, Chest .....                            | 1010-58                   |
| Restraint Strap, Wrist .....                            | 946-44-100                |
| Restraint Strap, 2 Piece .....                          | 390-19                    |
| Siderail Pads, Glideaway™ Rails .....                   | 1001-52                   |
| Steer Handles, Foot End/Head End .....                  | 1001-152/151              |
| Wheel Cover Replacement Kit .....                       | 1010-56-200               |

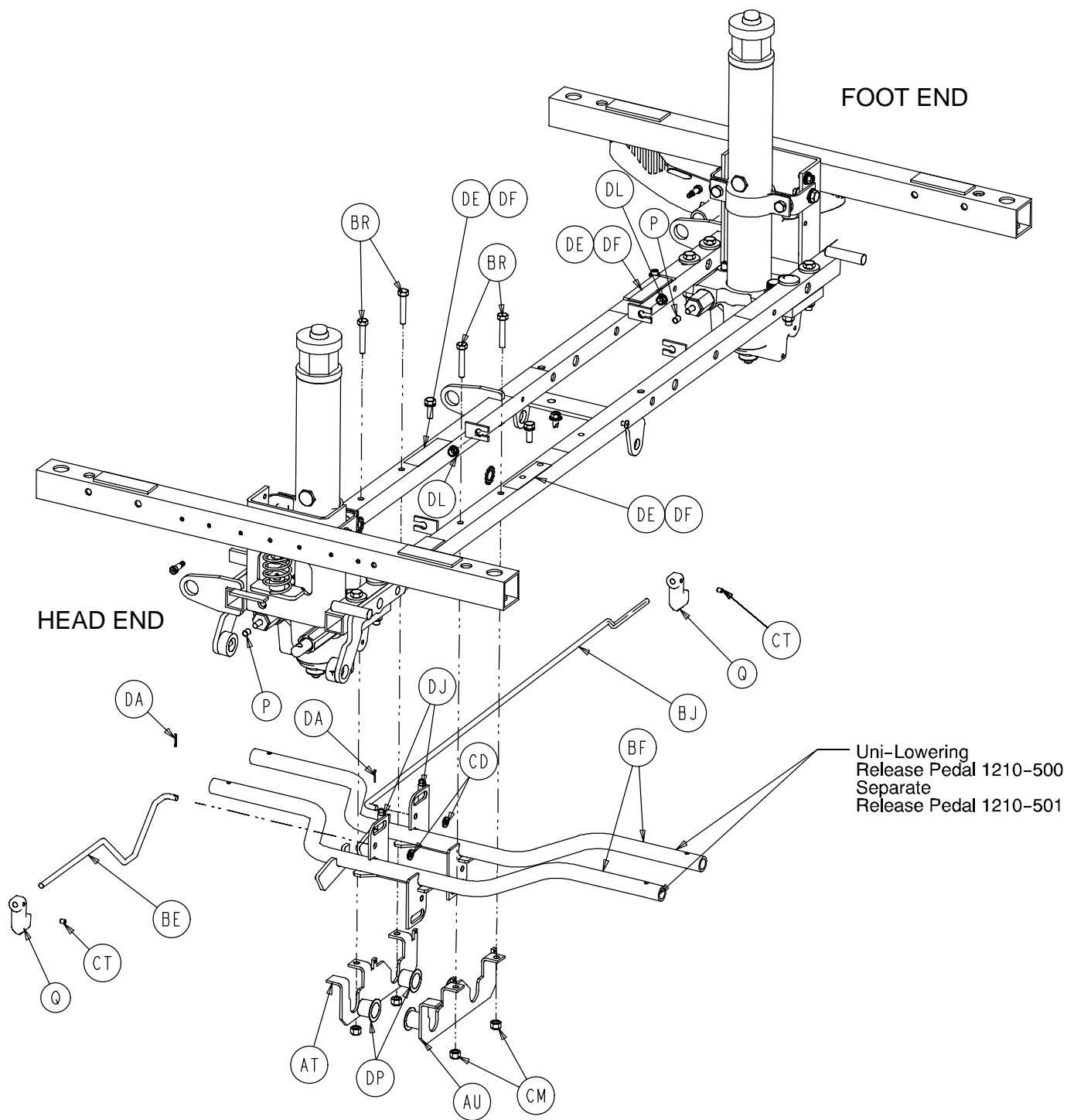
# Side Control Base Assembly



Assembly part number 1210-1-210 (reference only)



# Side Control Base Assembly



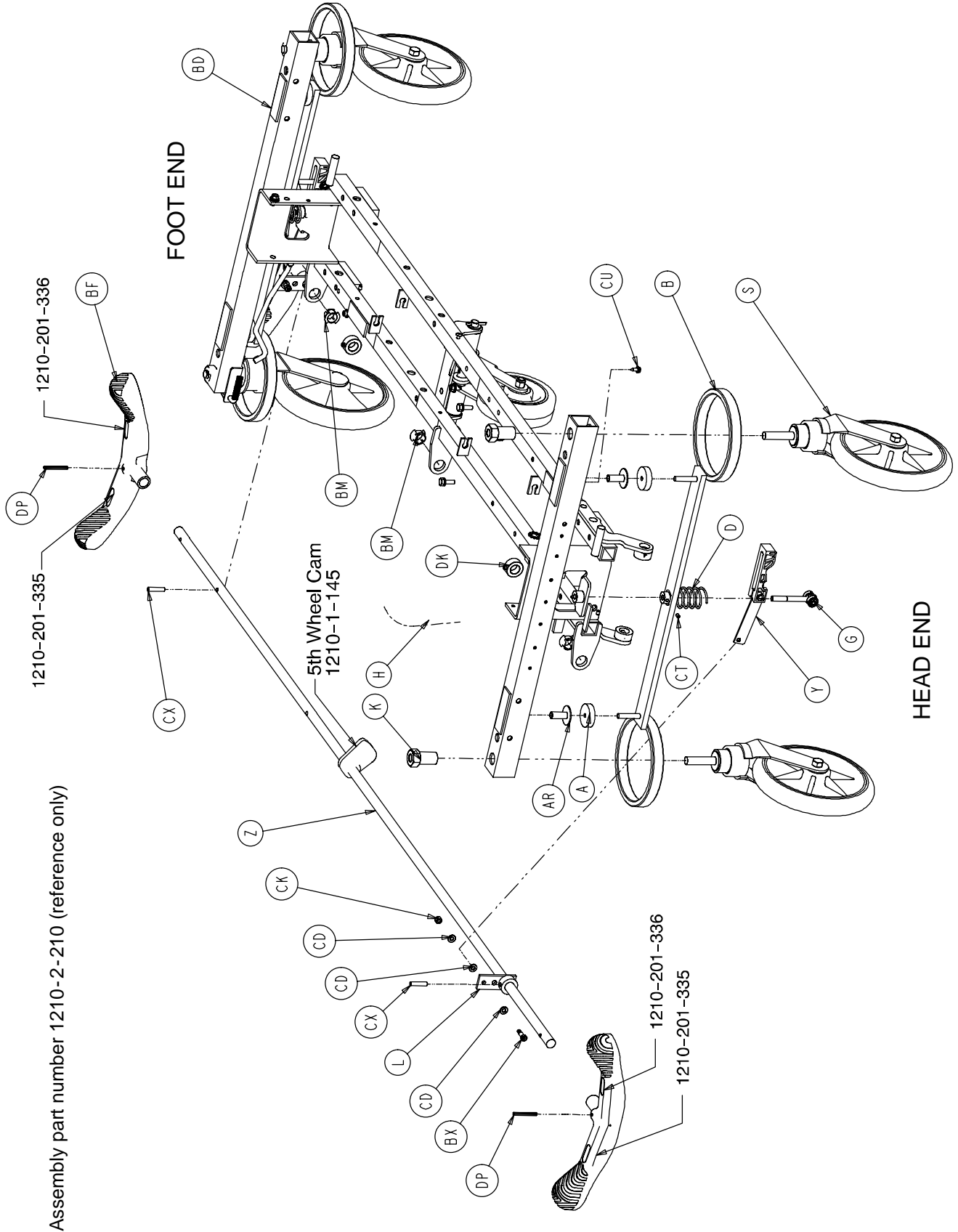
# Side Control Base Assembly

---

| Item | Part No.     | Part Name               | Qty. | Item | Part No.      | Part Name              | Qty. |
|------|--------------|-------------------------|------|------|---------------|------------------------|------|
| A    | 715-1-11     | Brake Cushion           | 4    | BR   | 3-47          | Hex Hd. Cap Screw      | 4    |
| B    | 715-1-61     | Caster Brake Weldment   | 2    | BT   | 3-62          | Hex Hd. Cap Screw      | 8    |
| C    | 715-1-92     | Pump Pedal Shaft        | 1    | BU   | 3-85          | Hex Hd. Cap Screw      | 8    |
| D    | 715-201-94   | Compression Spring      | 2    | BX   | 4-146         | Soc. Hd. Cap Screw     | 2    |
| E    | 715-1-133    | Collar                  | 1    | BY   | 8-17          | Shoulder Bolt          | 2    |
| F    | 715-1-140    | Vinyl Tube              | 1    | BZ   | 11-3          | Washer                 | 12   |
| G    | (page 32)    | Brake Adjuster          | 2    | CB   | 11-262        | Washer                 | 12   |
| H    | 715-1-156    | Ground Chain            | 1    | CC   | 13-38         | Ext. Tooth Lock Washer | 4    |
| K    | 715-1-158    | Caster Nut              | 4    | CD   | 14-2          | Washer                 | 8    |
| L    | 715-1-165    | Actuator Plate Weldment | 2    | CF   | 14-9          | Washer                 | 2    |
| M    | 715-1-192    | Jack Support            | 2    | CL   | 16-59         | Hex Nut                | 2    |
| N    | 715-1-193    | Jack Support Clamp      | 2    | CM   | 16-28         | Hex Nut                | 4    |
| O    | 715-201-126  | Slip-On Pump Pedal      | 2    | CN   | 16-36         | Hex Nut                | 16   |
| P    | 715-1-333    | Release Rod Stop Sleeve | 2    | CP   | 16-48         | Hex Nut                | 2    |
| Q    | 715-1-346    | Release Paddle          | 2    | CS   | 46-2          | Square Hd. Set Screw   | 2    |
| R    | 715-1-214    | Connecting Link         | 1    | CT   | 21-50         | Set Screw              | 2    |
| S    | (page 39)    | Caster Assembly         | *    | CU   | 23-25         | Self-Tapping Screw     | 1    |
| T    | 715-201-27   | Pump Rod Assembly       | 1    | CX   | 26-13         | Spring Pin             | 2    |
| U    | (page 34)    | Pump Pedal Assembly     | 1    | DA   | 27-4          | Cotter Pin             | 2    |
| Y    | (page 33)    | Brake Cam Assembly      | 2    | DE   | 29-12         | Velcro Loop            | 3    |
| Z    | 715-201-230  | Brake Bar               | 1    | DF   | 29-14         | Velcro Hook            | 3    |
| AN   | 38-246       | Jack Spring             | 1    | DJ   | 38-355        | Extension Spring       | 2    |
| AP   | 763-1-16     | Spring Holder           | 1    | DK   | 42-20         | Collar                 | 2    |
| AR   | 946-1-116    | Brake Bar Bushing       | 4    | DL   | 52-245        | Nyliner                | 2    |
| AT   | 1210-1-115   | Pedal Pivot, Left       | 1    | DP   | 52-747        | Flange Bearing         | 4    |
| AU   | 1210-1-114   | Pedal Pivot, Right      | 1    | DU   | 52-284        | Spacer Washer          | 1    |
| BD   | 1210-201-120 | Base Frame Weldment     | 1    | DW   | 27-3          | Cotter Pin             | 2    |
| BE   | 1210-201-139 | Pull Release Rod, Head  | 1    | DX   | 11-4          | Washer                 | 2    |
| BF   | 1210-201-152 | Release Pedal Weldment  | 2    | DZ   | (p. 57 or 59) | Jack Assembly          | 2    |
| BG   | 1210-201-153 | Butterfly "V" Pedal     | 2    | EA   | 26-143        | Groove Pin             | 4    |
| BJ   | 1210-201-222 | Push Release Rod        | 1    | EB   | 21-151        | Set Screw              | 2    |
| BM   | 1210-201-251 | Insert                  | 3    |      |               |                        |      |

\* Caster assembly is quantity of 4 if the fifth wheel option is present on the stretcher and quantity of 3 if the steering caster option is present.

# End Control Base Assembly



Assembly part number 1210-2-210 (reference only)



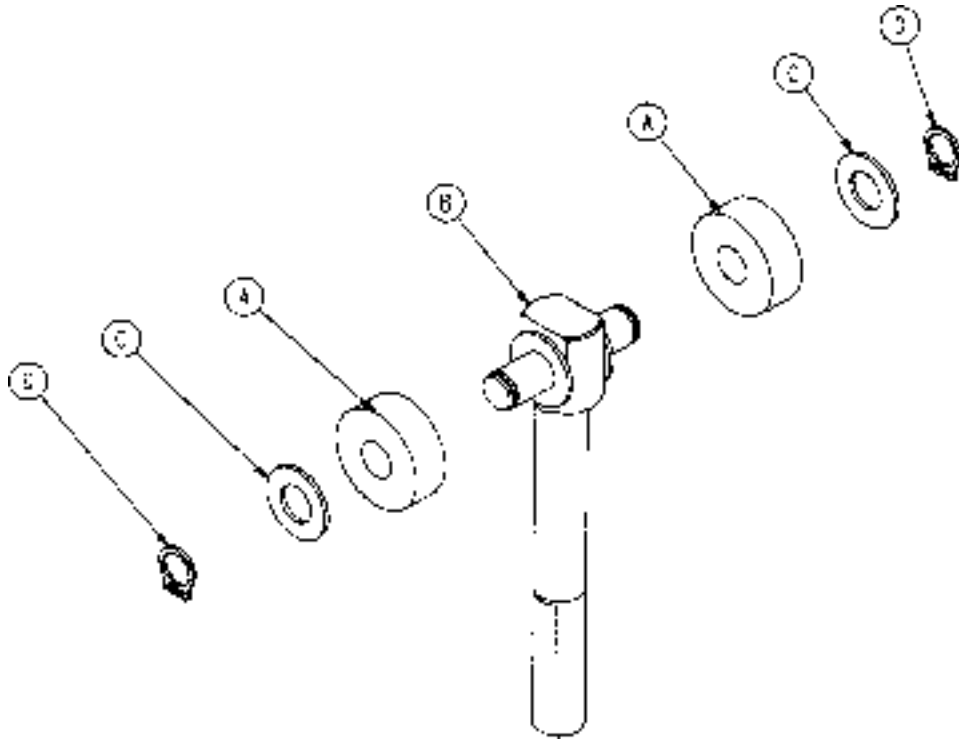


# End Control Base Assembly

| Item | Part No.     | Part Name                    | Qty. | Item | Part No.      | Part Name                   | Qty. |
|------|--------------|------------------------------|------|------|---------------|-----------------------------|------|
| A    | 715-1-11     | Brake Cushion                | 4    | BH   | 1210-201-155  | Foot Rel. Pedal, Offset, Lt | 2    |
| B    | 715-1-61     | Caster Brake Weldment        | 2    | BK   | 1210-201-201  | Pivot Pin Bracket, Foot End | 1    |
| D    | 715-201-94   | Compression Spring           | 2    | BM   | 1210-201-251  | Insert                      | 3    |
| E    | 715-1-133    | Collar                       | 2    | BP   | 3-3           | Hex Cap Screw               | 4    |
| F    | 715-1-140    | Vinyl Tube                   | 2    | BT   | 3-62          | Hex Hd. Cap Screw           | 8    |
| G    | (page 32)    | Brake Adjuster               | 2    | BU   | 3-85          | Hex Hd. Cap Screw           | 8    |
| H    | 715-1-156    | Ground Chain                 | 1    | BX   | 8-17          | Shoulder Bolt               | 2    |
| K    | 715-1-158    | Caster Nut                   | 4    | BY   | 11-3          | Washer                      | 4    |
| L    | 715-1-165    | Actuator Plate Weldment      | 2    | BZ   | 11-13         | Washer                      | 2    |
| M    | 715-1-192    | Jack Support                 | 2    | CA   | 11-262        | Washer                      | 10   |
| N    | 715-1-193    | Jack Support Clamp           | 2    | CB   | 11-350        | Spacer Washer               | 1    |
| P    | 715-1-333    | Release Rod Stop Sleeve      | 2    | CC   | 13-38         | Ext. Tooth Lock Washer      | 4    |
| R    | 716-1-109    | Head End Pump Link           | 1    | CD   | 14-2          | Washer                      | 10   |
| S    | (page 39)    | Caster Assembly              | *    | CE   | 14-3          | Washer                      | 2    |
| T    | 715-201-26   | Slip-On Pump Pedal           | 2    | CF   | 14-7          | Washer                      | 4    |
| Y    | (page 33)    | Brake Cam Assembly           | 2    | CG   | 14-9          | Washer                      | 2    |
| Z    | 715-201-230  | Brake Bar                    | 1    | CJ   | 15-11         | Hex Nut                     | 4    |
| AA   | 716-1-15     | Release Pivot Bar            | 2    | CK   | 16-2          | Hex Nut                     | 2    |
| AB   | 716-1-52     | Pivot Assembly, Foot End     | 1    | CL   | 16-14         | Nylock Nut                  | 2    |
| AC   | 716-1-102    | Pump Link Weldment, Ft.      | 1    | CM   | 16-102        | Hex Nut                     | 4    |
| AD   | 716-1-119    | Pivot Assembly, Head End     | 1    | CN   | 16-36         | Hex Nut                     | 16   |
| AE   | 716-201-281  | Pump Idler Link              | 2    | CT   | 21-151        | Set Screw                   | 2    |
| AF   | 716-1-286    | Release Ball Spacer          | 4    | CU   | 23-25         | Self-Tapping Screw          | 1    |
| AG   | 716-201-61   | Release Pedal Pivot Rod      | 2    | CX   | 26-13         | Spring Pin                  | 2    |
| AH   | 716-201-70   | Long Release Rod             | 2    | CY   | 26-195        | Clevis Pin                  | 2    |
| AK   | (page 36)    | Head End Pump Pedal          | 1    | DA   | 27-4          | Cotter Pin                  | 9    |
| AL   | 716-201-74   | Release Rod                  | 2    | DB   | 27-7          | Cotter Pin                  | 9    |
| AM   | (page 35)    | Foot End Pump Pedal          | 1    | DC   | 27-16         | Cotter Pin                  | 2    |
| AN   | 763-1-15     | Jack Spring                  | 1    | DD   | 28-97         | Ext. Tooth Retaining Ring   | 2    |
| AP   | 763-1-16     | Spring Holder                | 1    | DE   | 29-12         | Velcro Loop                 | 3    |
| AR   | 946-1-116    | Brake Bar Bushing            | 4    | DF   | 29-14         | Velcro Hook                 | 3    |
| AS   | 1210-1-112   | Rel. Rod, Head End, Lt.      | 1    | DG   | 38-235        | Desc. Pedal Return Spring   | 4    |
| BA   | 1210-201-27  | Pump Connecting Rod          | 1    | DH   | 38-251        | Pump Return Spring          | 2    |
| BC   | 1210-201-111 | End Release Pedal Brkt.      | 2    | DI   | 38-326        | Extension Spring            | 2    |
| BD   | 1210-201-120 | Base Frame Weldment          | 1    | DK   | 42-20         | Collar                      | 2    |
| BE   | 1210-201-154 | Head Rel. Pedal, Offset, Rt. | 2    | DL   | 52-245        | Nyliner                     | 4    |
| BF   | 1210-201-153 | Butterfly "V" Pedal          | 2    | DM   | (p. 57 or 59) | Jack Assembly               | 2    |
| BG   | 1210-201-551 | Eye Bolt                     | 2    | DP   | 26-143        | Groove Pin                  | 4    |

\* Caster assembly is quantity of 4 if the fifth wheel option is present on the stretcher and quantity of 3 if the steering caster option is present.

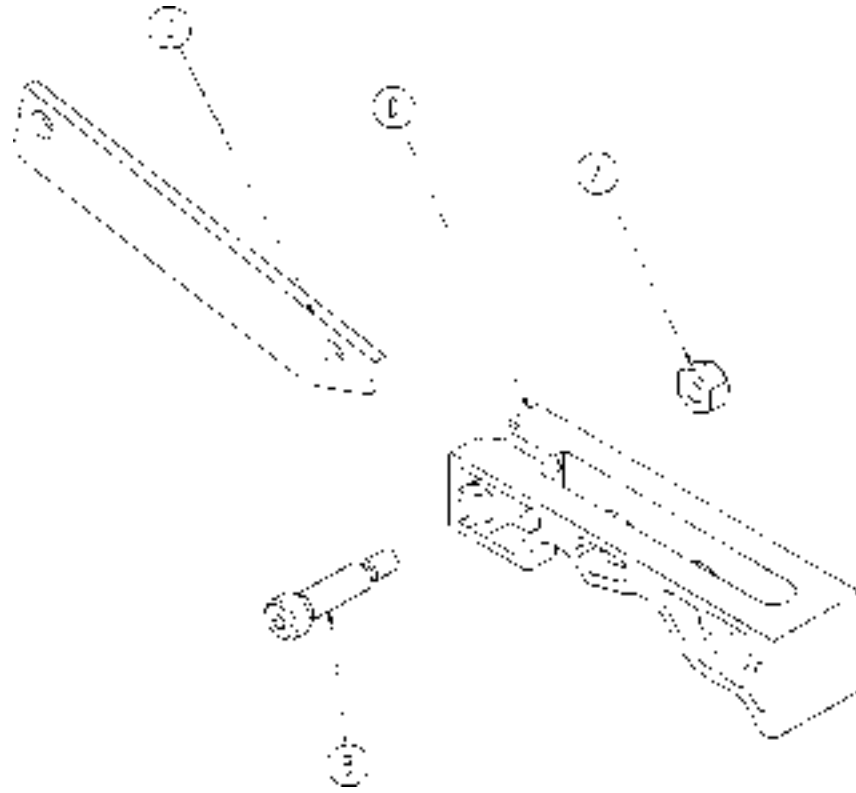
# 715-201-150 Brake Adjuster Assembly



| Item | Part No.   | Part Name               | Qty. |
|------|------------|-------------------------|------|
| A    | 715-1-180  | Cam Bearing             | 2    |
| B    | 715-201-62 | Threaded Stud Assembly  | 1    |
| C    | 14-4       | Nylon Washer            | 4    |
| D    | 28-8       | External Retaining Ring | 2    |

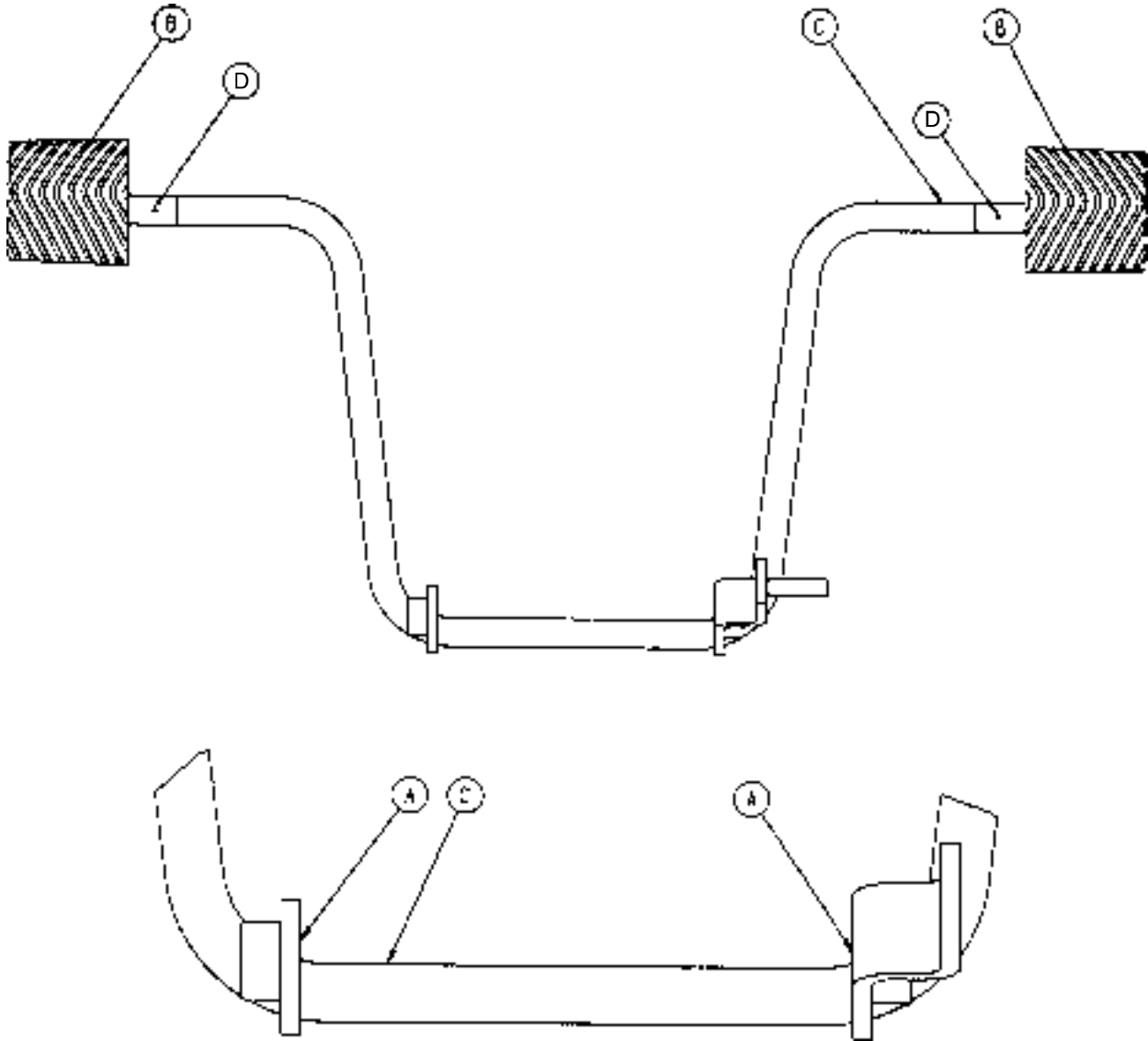
# 715-201-213 Brake Cam Assembly

---



| Item | Part No.    | Part Name               | Qty. |
|------|-------------|-------------------------|------|
| A    | 16-59       | Hex Nut                 | 1    |
| B    | 8-21        | Soc. Hd. Shoulder Screw | 1    |
| C    | 715-201-173 | Brake Connecting Link   | 1    |
| D    | 715-301-221 | Brake Cam               | 1    |

# Side Control Pump Pedal Assembly



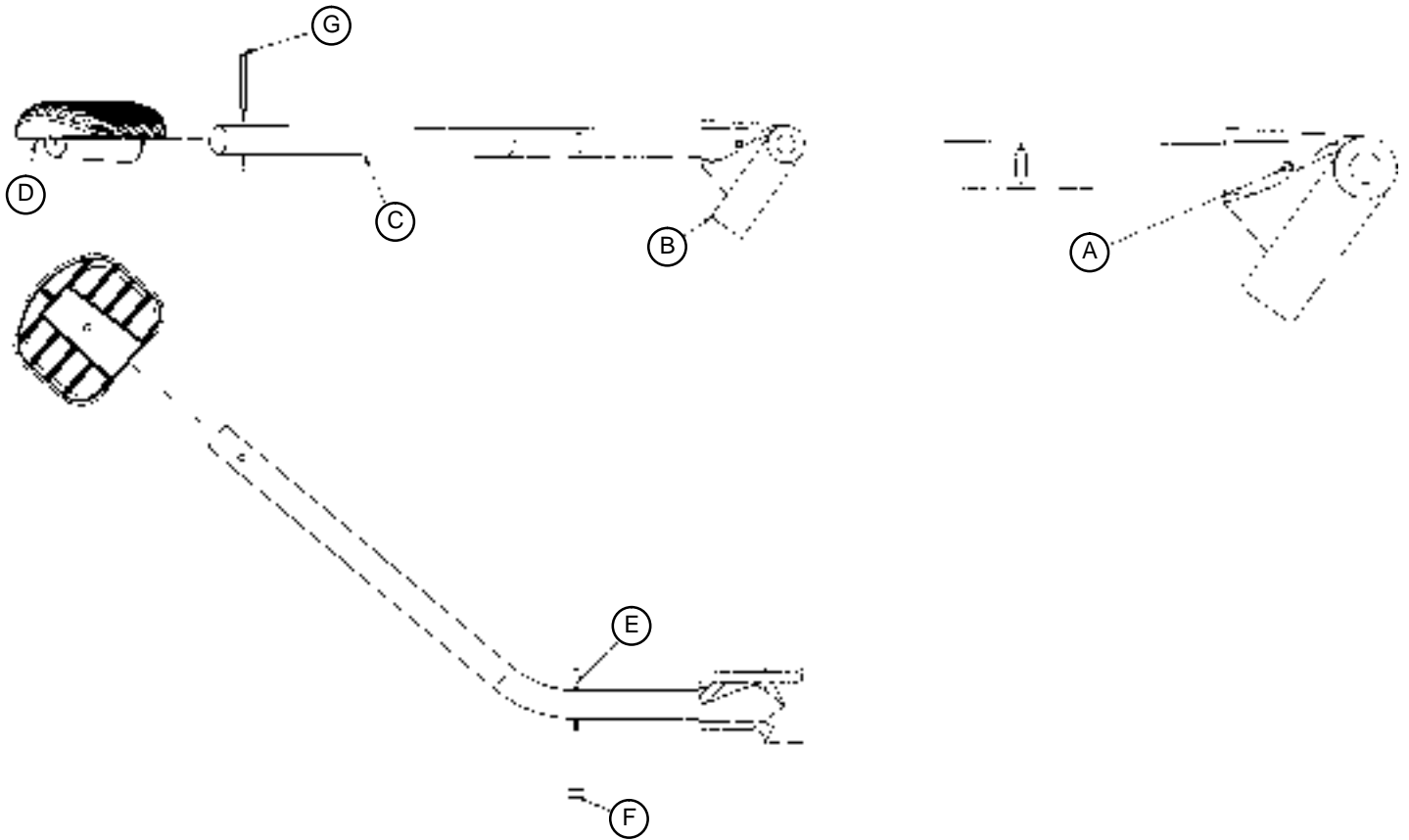
| Item | Part No.    | Part Name           | Qty. |
|------|-------------|---------------------|------|
| A    | 81-44       | Bronze Bearing      | 2    |
| B    | 715-201-126 | Slip-On Pedal Pad   | 2    |
| C    | 715-201-83  | Pump Pedal Weldment | 1    |
| D    | 26-143      | Groove Pin          | 2    |

# 716-201-288 Foot End Pump Pedal Assembly



| Item | Part No.     | Part Name          | Qty. |
|------|--------------|--------------------|------|
| A    | 26-145       | Spring Pin         | 1    |
| B    | 716-201-14   | Foot End Pump Rod  | 1    |
| C    | 716-1-283    | Pump Pivot Housing | 1    |
| D    | 715-201-126  | Pedal              | 1    |
| E    | 1210-201-551 | Eye Bolt           | 1    |
| F    | 16-14        | Nylock Nut         | 1    |
| G    | 26-261       | Groove Pin         | 1    |

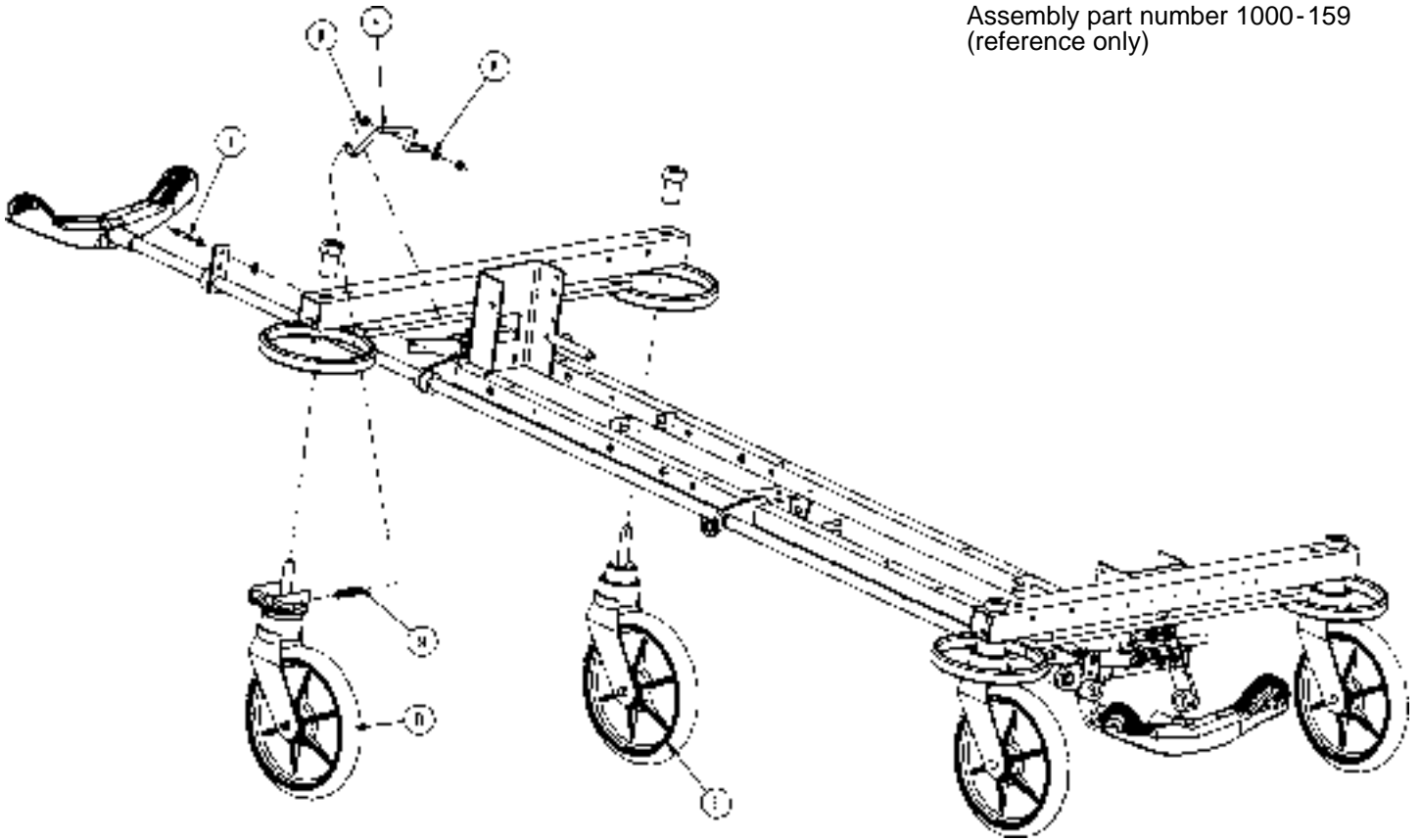
# 716-201-292 Head End Pump Pedal Assembly



| Item | Part No.     | Part Name                   | Qty. |
|------|--------------|-----------------------------|------|
| A    | 26-145       | Spring Pin                  | 1    |
| B    | 716-1-285    | Pump Pivot Housing, Hd. End | 1    |
| C    | 716-201-14   | Head End Pump Rod           | 1    |
| D    | 715-201-126  | Pedal                       | 1    |
| E    | 1210-201-551 | Eye Bolt                    | 1    |
| F    | 16-14        | Nylock Nut                  | 1    |
| G    | 26-261       | Groove Pin                  | 1    |

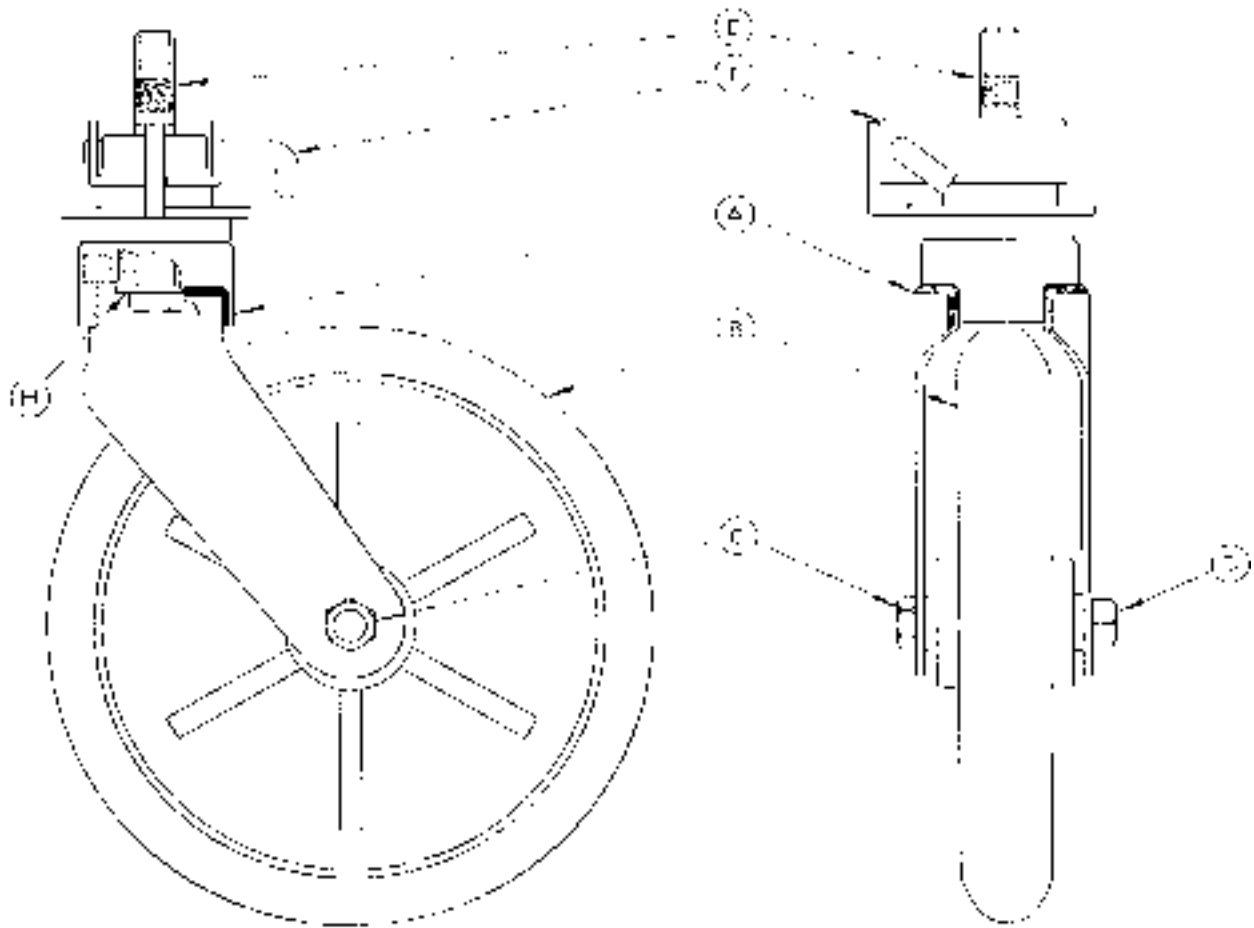
# Base Assembly w/Steerlock Caster Option

Assembly part number 1000-159  
(reference only)



| Item | Part No.    | Part Name              | Qty. |
|------|-------------|------------------------|------|
| D    | (page 38)   | Steer Caster Assembly  | 1    |
| E    | (page 39)   | Caster Assembly        | 3    |
| H    | 1000-210-62 | Steer Lock Linkage Bar | 1    |
| I    | 8-21        | Shoulder Bolt          | 1    |
| K    | 14-2        | Washer                 | 2    |
| M    | 38-211      | Spring                 | 1    |

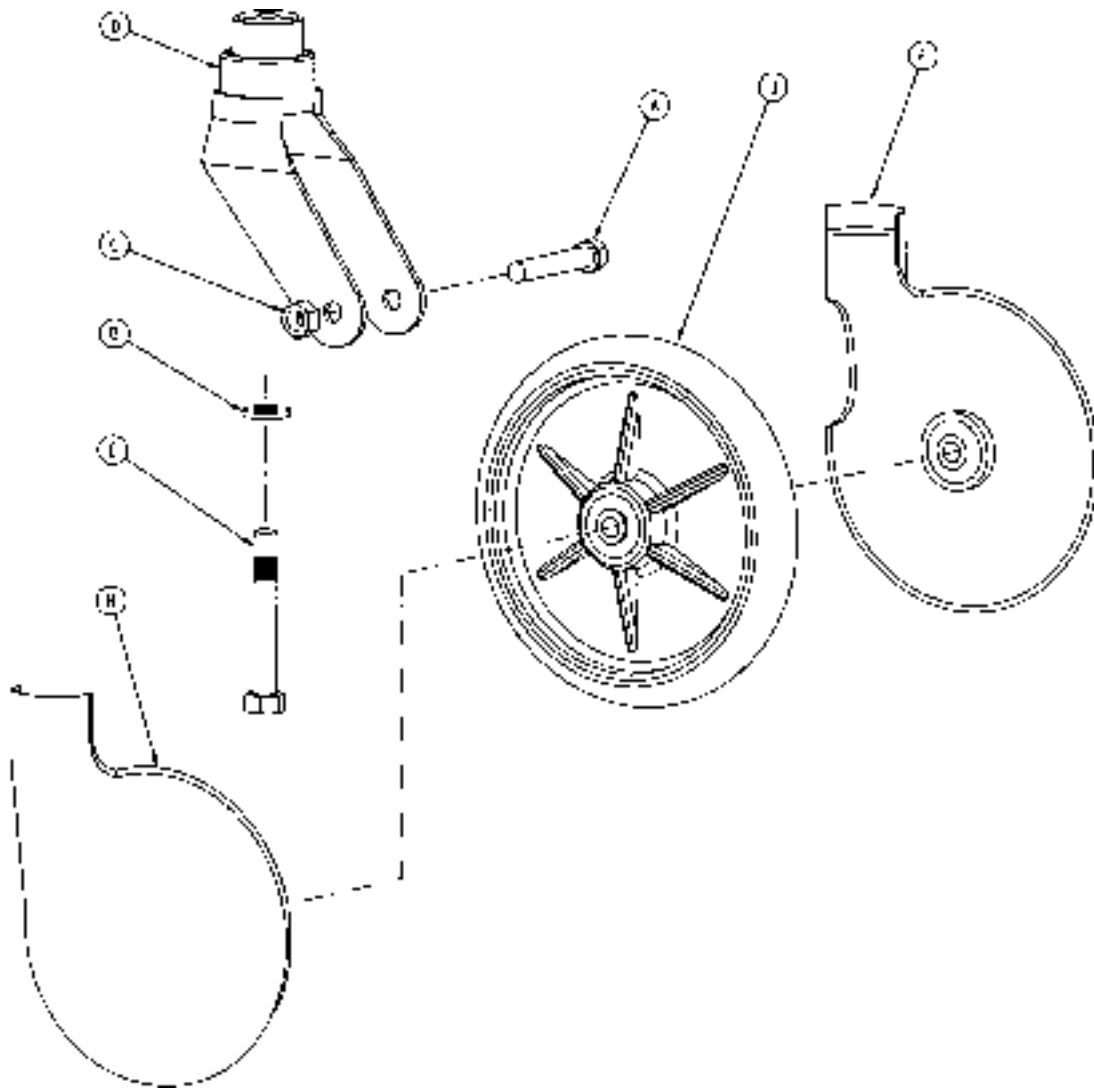
# 715-269-100 Caster Assembly w/Steerlock



Assembly part number 715-2-21 (reference only)

| Item | Part No.   | Part Name                  | Qty. |
|------|------------|----------------------------|------|
| A    | 700-10-50  | Steer Lock Caster Weldment | 1    |
| B    | 715-2-25   | Caster Wheel               | 1    |
| C    | 16-60      | Hex Nut                    | 1    |
| D    | 3-99       | Hex Bolt                   | 1    |
| E    | 715-3-96   | Hex Bolt                   | 1    |
| F    | 1000-59-10 | Latch Assembly             | 1    |
| H    | 11-310     | Flat Washer                | 1    |

# Standard Caster Assembly



| Item | Part No.  | Part Name              | Qty. |
|------|-----------|------------------------|------|
| A    | 3-99      | Hex Hd. Cap Screw      | 1    |
| B    | 11-310    | Washer                 | 1    |
| C    | 16-60     | Hex Nut                | 1    |
| D    | 715-2-16  | Horn Assembly          | 1    |
| E    | 715-3-96  | Hex Hd. Cap Screw      | 1    |
| F    | 715-1-265 | Wheel Cover, Right     | 1    |
| H    | 715-1-266 | Wheel Cover, Left      | 1    |
| J    | 715-2-25  | Wheel                  | 1    |
|      | 715-1-158 | Caster Nut (not shown) | 1    |

p/n 715-259-400 - Kit to replace 4 standard caster assemblies with hardware - no caster covers.

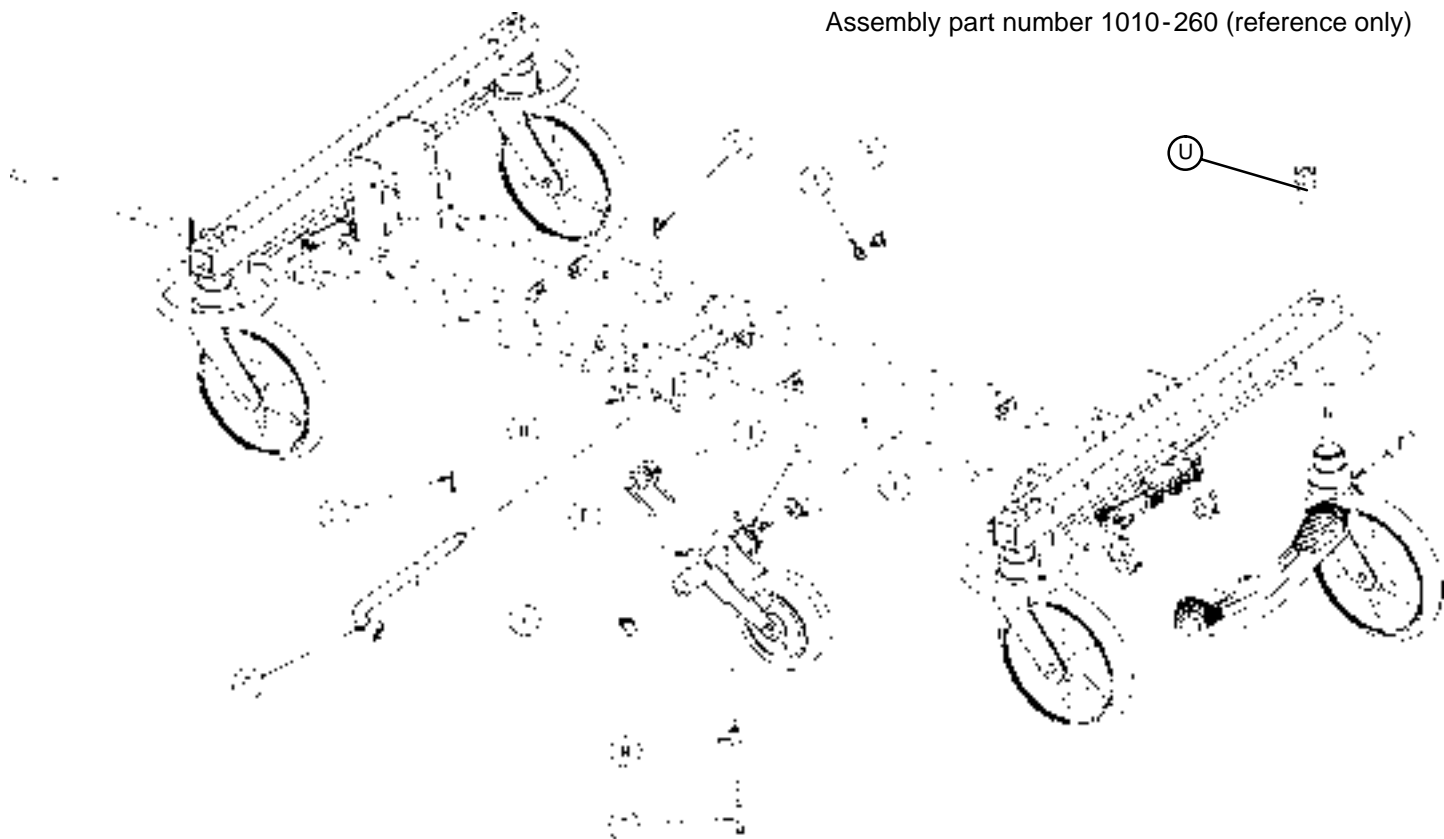
p/n 715-269-400 - Kit to replace 3 standard caster assemblies and 1 steerlock caster with hardware - no caster covers.

p/n 715-259-100 - Kit to replace 1 standard caster assembly with hardware - no caster covers.

p/n 1010-56-200 - Kit to replace both caster covers on all four wheels.

# Base Assembly w/Fifth Wheel Option

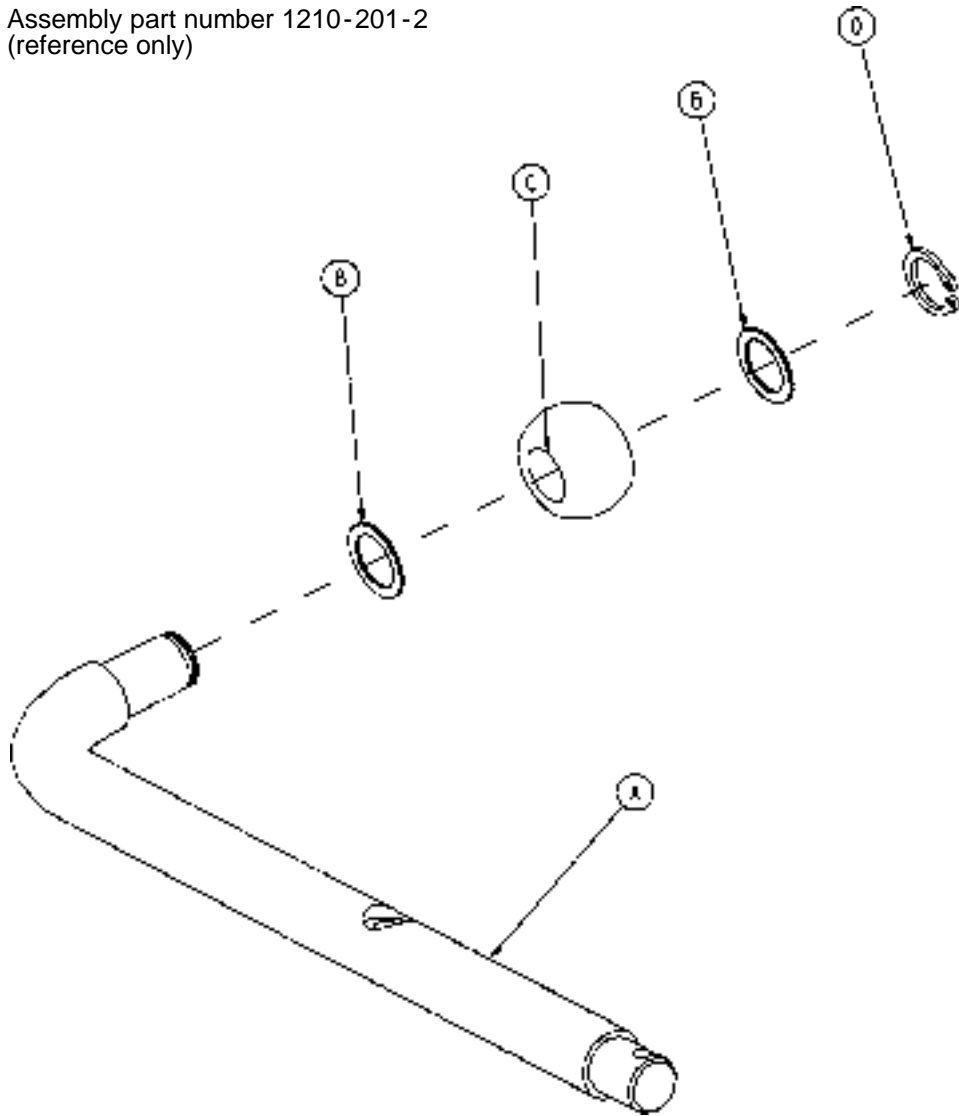
Assembly part number 1010-260 (reference only)



| Item | Part No.     | Part Name          | Qty. |
|------|--------------|--------------------|------|
| A    | 14-79        | Nylon Washer       | 1    |
| B    | 11-13        | Washer             | 1    |
| C    | 27-16        | Cotter Pin         | 1    |
| G    | (page 41)    | Pivot Rod Assembly | 1    |
| H    | 1210-1-145   | Cam                | 1    |
| J    | 1210-1-148   | Torsion Spring     | 1    |
| M    | 1210-201-149 | Spring Spacer      | 1    |
| O    | 4-10         | Bolt               | 1    |
| P    | (page 42)    | Wheel Arm Assembly | 1    |
| R    | 1210-1-146   | Torsion Spring     | 1    |
| S    | 26-35        | Roll Pin           | 1    |
| T    | (page 39)    | Caster Assembly    | 4    |
| U    | 715-1-158    | Caster Nut         | 4    |
| X    | 14-80        | Nylon Washer       | 2    |

# Pivot Rod Assembly

Assembly part number 1210-201-2  
(reference only)



| Item | Part No.   | Part Name    | Qty. |
|------|------------|--------------|------|
| A    | 1210-1-143 | Pivot Rod    | 1    |
| B    | 14-79      | Nylon Washer | 2    |
| C    | 1210-1-144 | Roller       | 1    |
| D    | 28-131     | Snap Ring    | 1    |
| E    | 27-16      | Cotter Pin   | 1    |

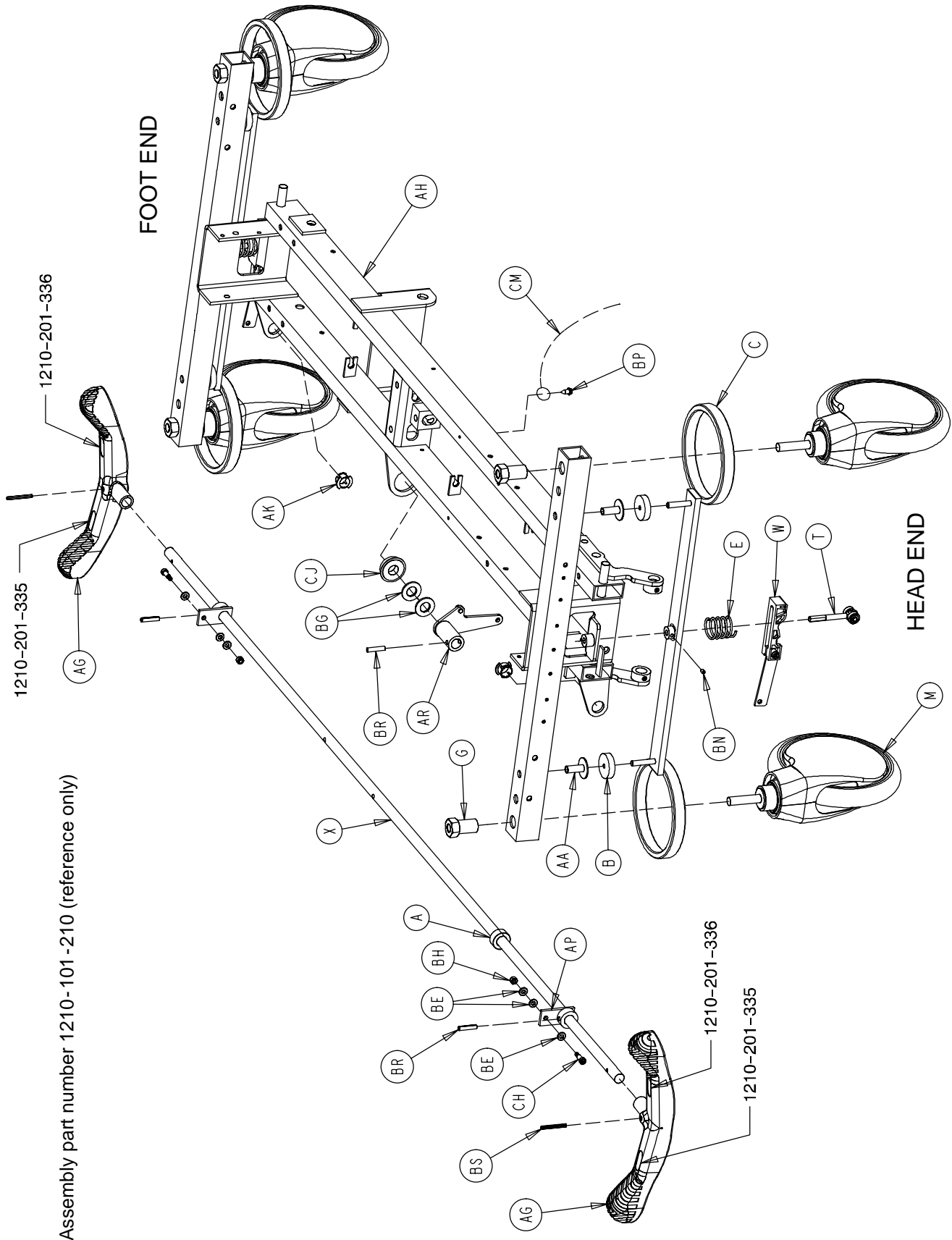
# 715-201-125 Wheel Arm Assembly

---



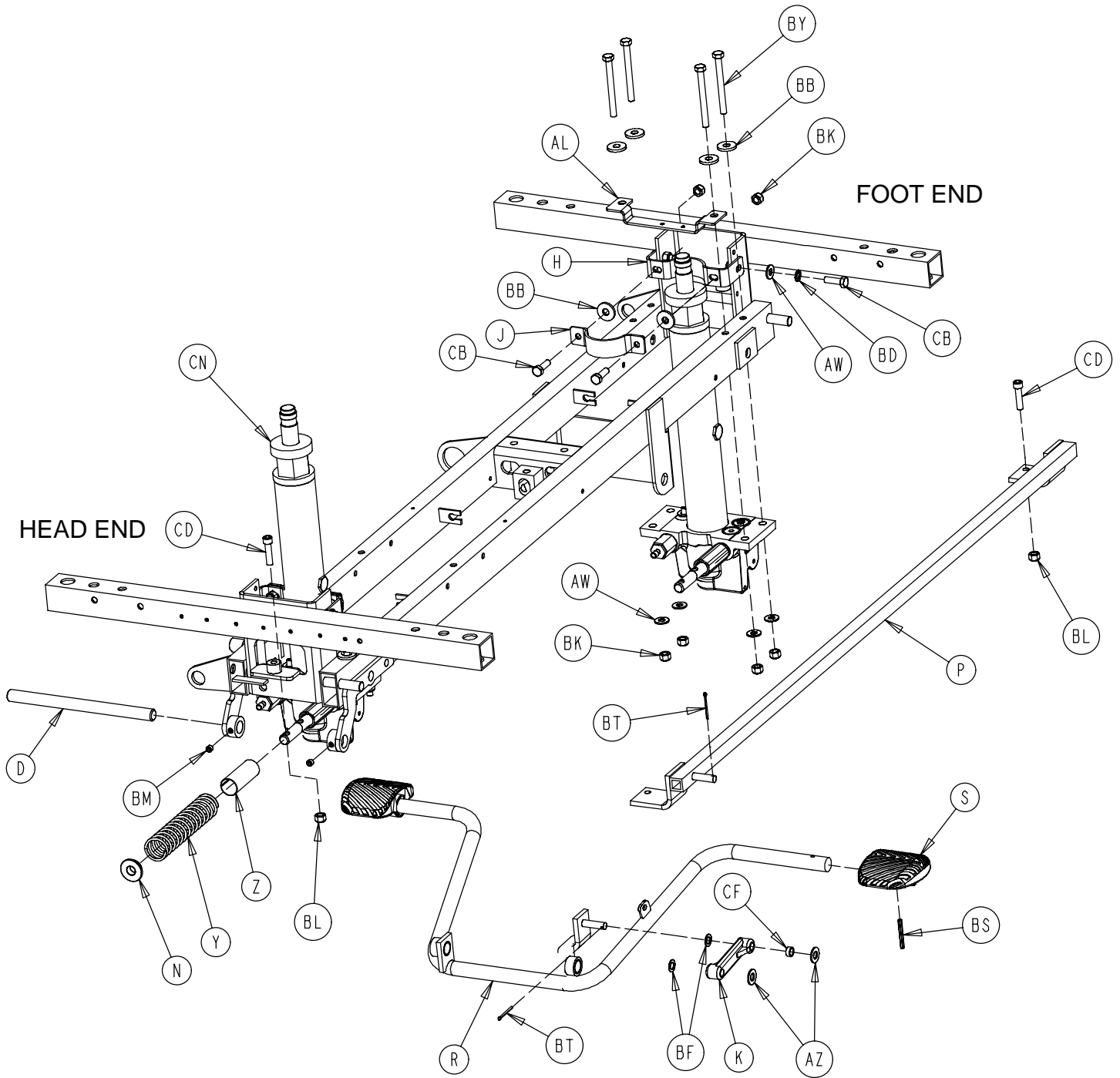
| Item | Part No.     | Part Name         | Qty. |
|------|--------------|-------------------|------|
| A    | 1210-201-553 | Wheel Arm         | 1    |
| B    | 1210-1-147   | Fifth Wheel       | 1    |
| C    | 3-31         | Hex Hd. Cap Screw | 1    |
| D    | 16-35        | Nylock Nut        | 1    |

# Optional Side Control Big Wheel Base Assembly

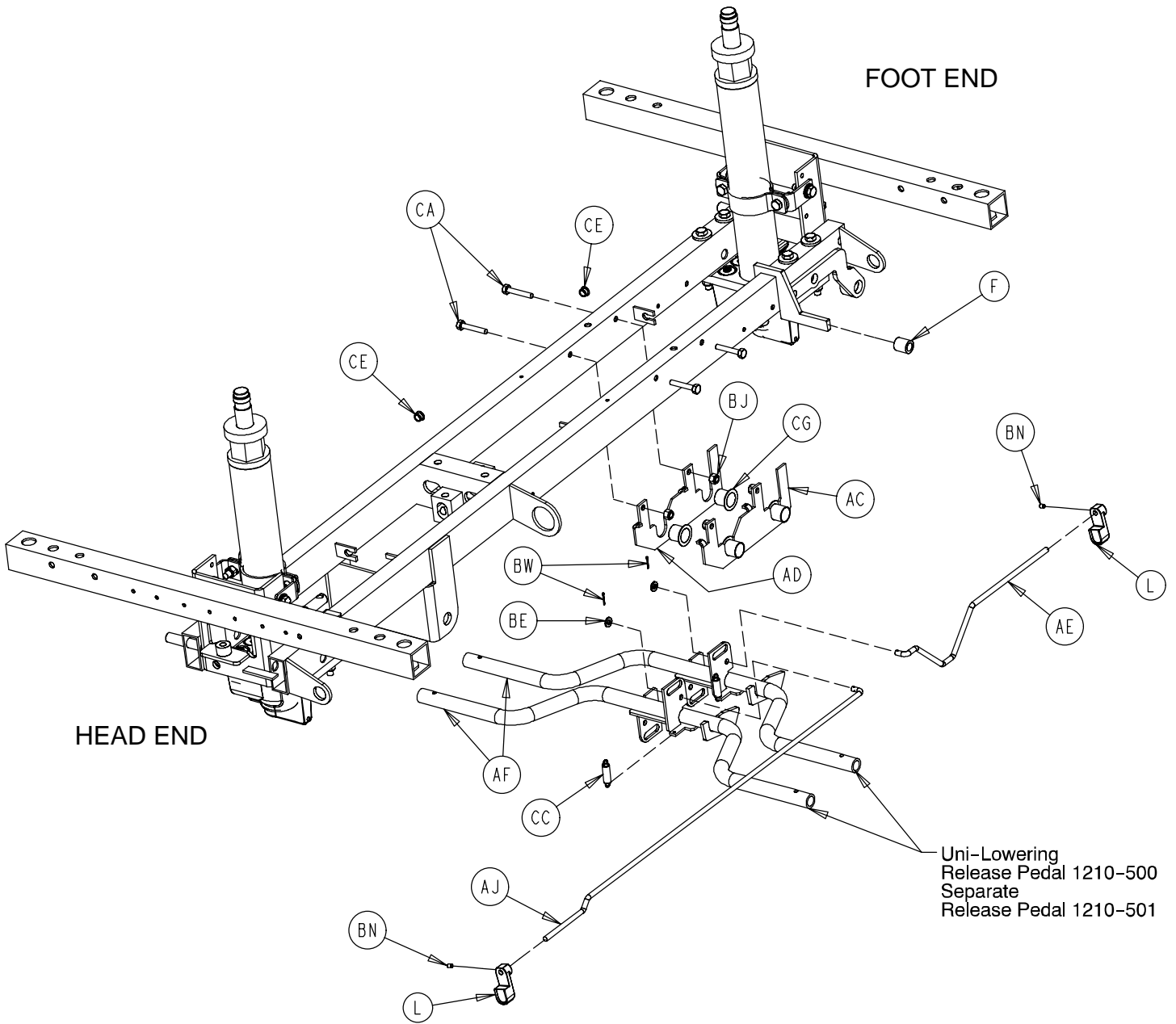


Assembly part number 1210-101-210 (reference only)

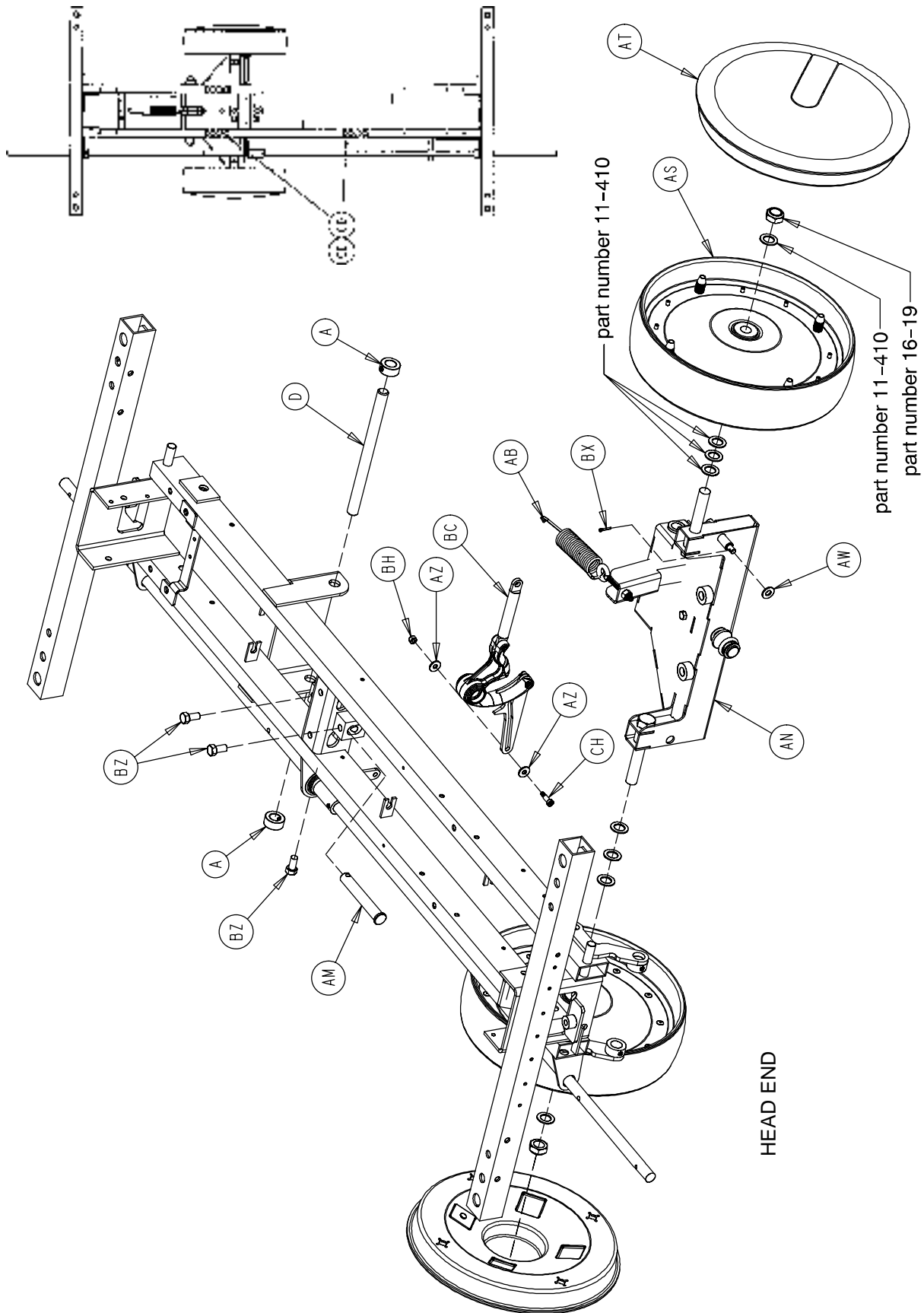
# Optional Side Control Big Wheel Base Assembly



# Optional Side Control Big Wheel Base Assembly



# Optional Side Control Big Wheel Base Assembly

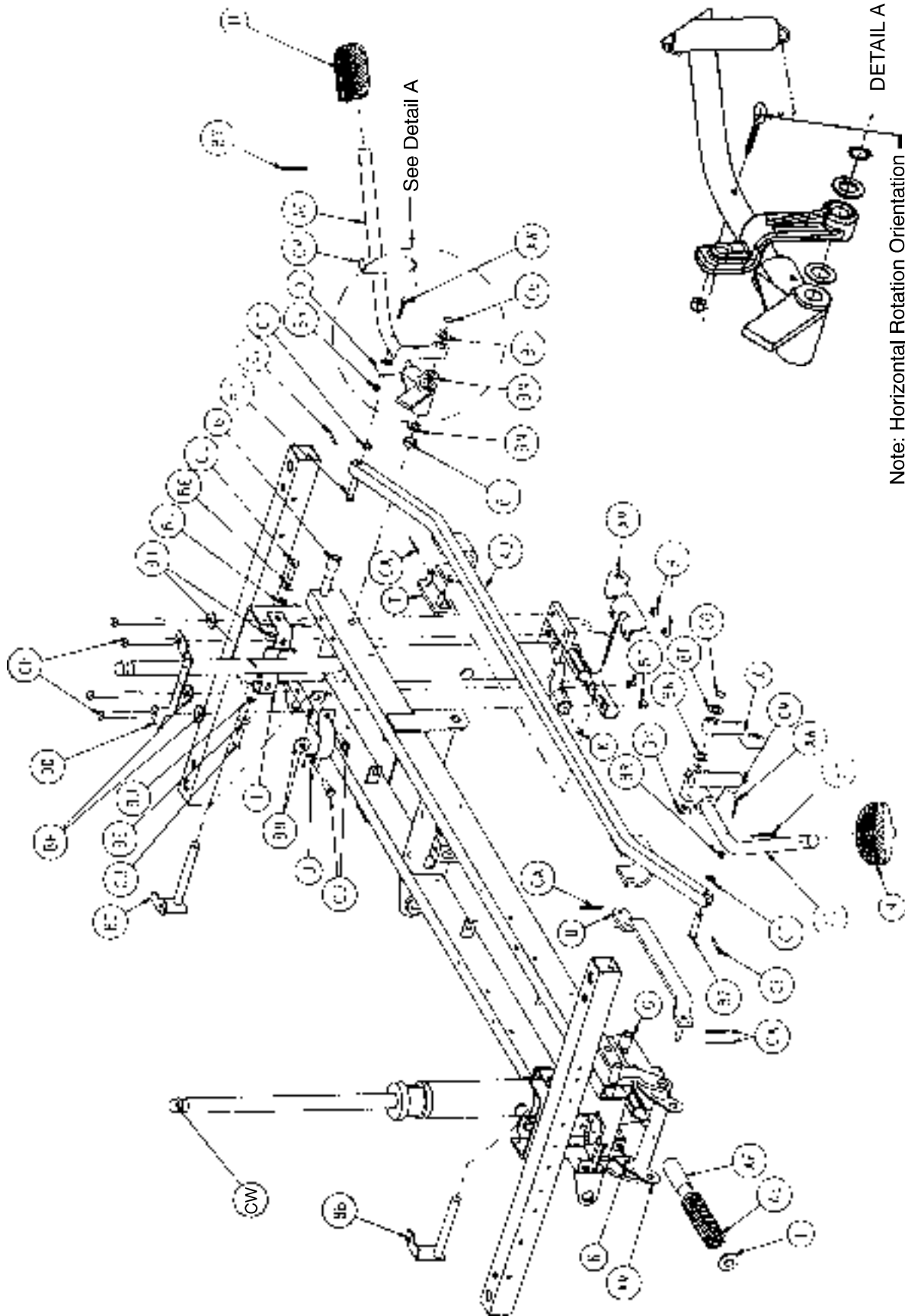


# Optional Side Control Big Wheel Base Assembly

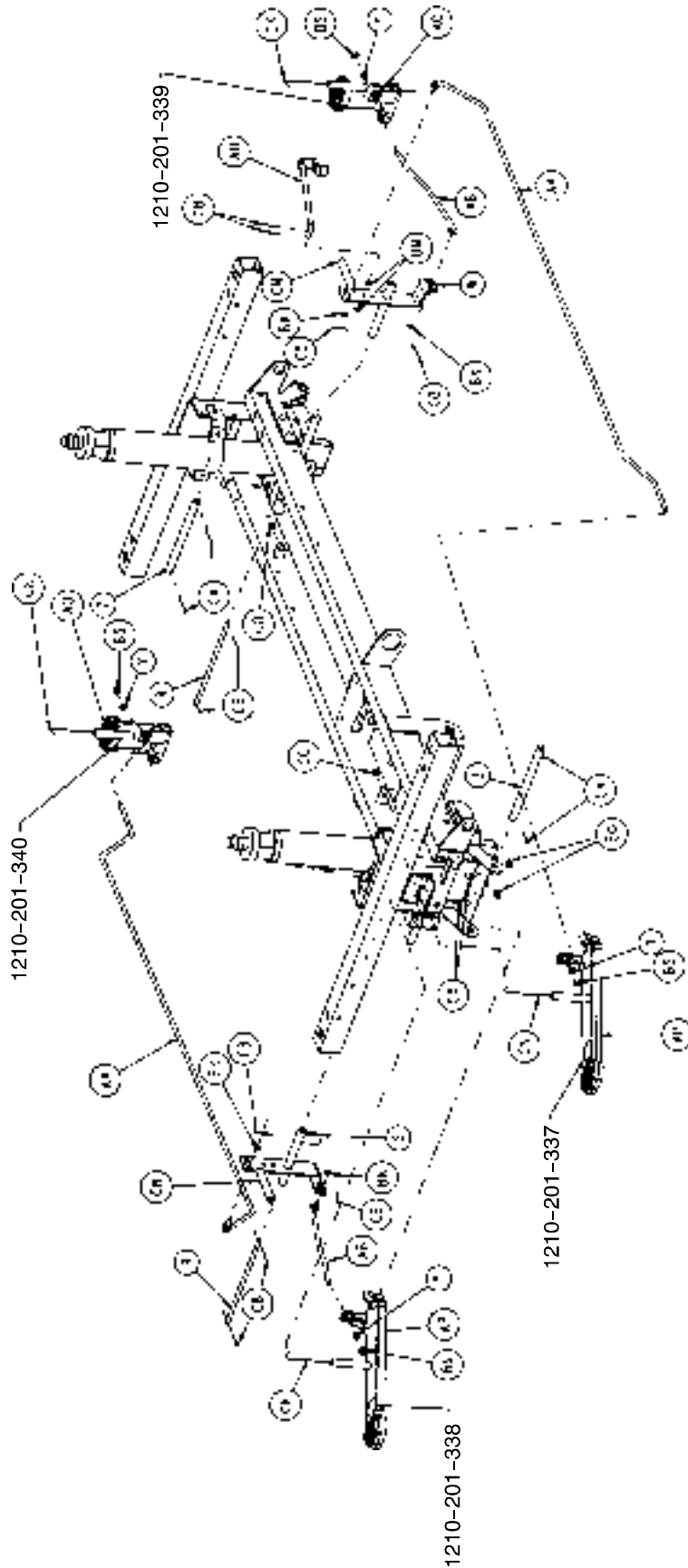
| Item | Part No.     | Part Name                 | Qty. | Item | Part No.      | Part Name                 | Qty. |
|------|--------------|---------------------------|------|------|---------------|---------------------------|------|
| A    | 42-20        | Collar                    | 3    | AT   | 1210-301-653  | Wheel Cover Assembly      | 2    |
| B    | 715-1-11     | Brake Cushion             | 4    | AW   | 11-3          | Washer                    | 11   |
| C    | 715-1-61     | Caster Brake Weldment     | 2    | AZ   | 11-4          | Washer                    | 2    |
| D    | 715-1-92     | Pump Pedal Shaft          | 2    | BA   | 11-224        | Washer                    | 2    |
| E    | 715-1-94     | Compression Spring        | 2    | BB   | 11-262        | Washer                    | 12   |
| F    | 715-1-140    | Vinyl Tube                | 1    | BC   | (page 56)     | Cam Assembly              | 1    |
| G    | 715-1-158    | Caster Nut                | 4    | BD   | 13-38         | Lock Washer               | 4    |
| H    | 715-1-192    | Jack Support              | 2    | BE   | 14-2          | Washer                    | 8    |
| J    | 715-1-193    | Jack Support Clamp        | 2    | BF   | 14-9          | Washer                    | 2    |
| K    | 715-1-214    | Connecting Link           | 1    | BG   | 14-71         | Washer                    | 2    |
| L    | 715-1-346    | Release Paddle            | 2    | BH   | 16-2          | Hex Nut                   | 3    |
| M    | (page 39)    | Caster Assembly           | 4    | BJ   | 16-28         | Hex Nut                   | 4    |
| N    | 715-1-133    | Collar                    | 1    | BK   | 16-36         | Hex Nut                   | 16   |
| P    | 715-201-27   | Pump Rod Weldment         | 1    | BL   | 16-48         | Hex Nut                   | 2    |
| R    | 715-201-108  | Pump Pedal                | 1    | BM   | 21-22         | Set Screw                 | 2    |
| S    | 715-201-126  | Slip On Pump Pedal        | 2    | BN   | 21-50         | Set Screw                 | 4    |
| T    | (page 32)    | Brake Adjuster Assembly   | 2    | BP   | 23-25         | Hex Washer Hd. Tap. Screw | 1    |
| W    | (page 33)    | Brake Cam Assembly        | 2    | BR   | 26-13         | Spring Pin                | 3    |
| X    | 715-201-230  | Brake Rod                 | 1    | BS   | 26-143        | Groove Pin                | 4    |
| Y    | 763-1-15     | Jack Spring               | 1    | BT   | 27-3          | Cotter Pin                | 2    |
| Z    | 763-1-16     | Spring Guide              | 1    | BW   | 27-4          | Cotter Pin                | 2    |
| AA   | 946-1-116    | Brake Bar Bushing         | 4    | BX   | 27-13         | Cotter Pin                | 1    |
| AB   | 1210-1-151   | Interface Spring          | 1    | BY   | 3-11          | Hex Cap Screw             | 8    |
| AC   | 1210-201-114 | Pedal Pivot, Left         | 1    | BZ   | 3-21          | Hex Cap Screw             | 4    |
| AD   | 1210-201-115 | Pedal Pivot, Right        | 1    | CA   | 3-47          | Hex Cap Screw             | 4    |
| AE   | 1210-201-139 | Pull Release Rod, Hd. End | 1    | CB   | 3-85          | Hex Cap Screw             | 8    |
| AF   | 1210-201-152 | Side Release Pedal Wldmt. | 2    | CC   | 38-355        | Extension Spring          | 2    |
| AG   | 1210-201-153 | Butterfly "V" Pedal       | 2    | CD   | 4-146         | Soc. Hd. Cap Screw        | 2    |
| AH   | 1210-201-220 | Base Frame Weldment       | 1    | CE   | 52-245        | Nyliner                   | 2    |
| AJ   | 1210-201-222 | Push Release Rod, Hd. End | 1    | CF   | 52-284        | Washer                    | 1    |
| AK   | 1210-201-251 | Insert                    | 2    | CG   | 52-747        | Flange Bearing            | 4    |
| AL   | 1210-201-330 | Spring Support            | 1    | CH   | 8-10          | Shoulder Bolt             | 3    |
| AM   | 1210-201-412 | Roller Pin                | 1    | CJ   | 81-301        | Bearing                   | 1    |
| AN   | (page 53)    | Interface Assembly        | 1    | CK   | 29-12         | Velcro Loop               | 3    |
| AP   | 1210-201-620 | Actuator Weldment         | 2    | CL   | 29-14         | Velcro Hook               | 3    |
| AR   | 1210-201-630 | Horn Weldment             | 1    | CM   | 715-1-156     | Ground Chain              | 1    |
| AS   | (page 55)    | Wheel Assembly            | 2    | CN   | (p. 57 or 59) | Jack Assembly             | 2    |



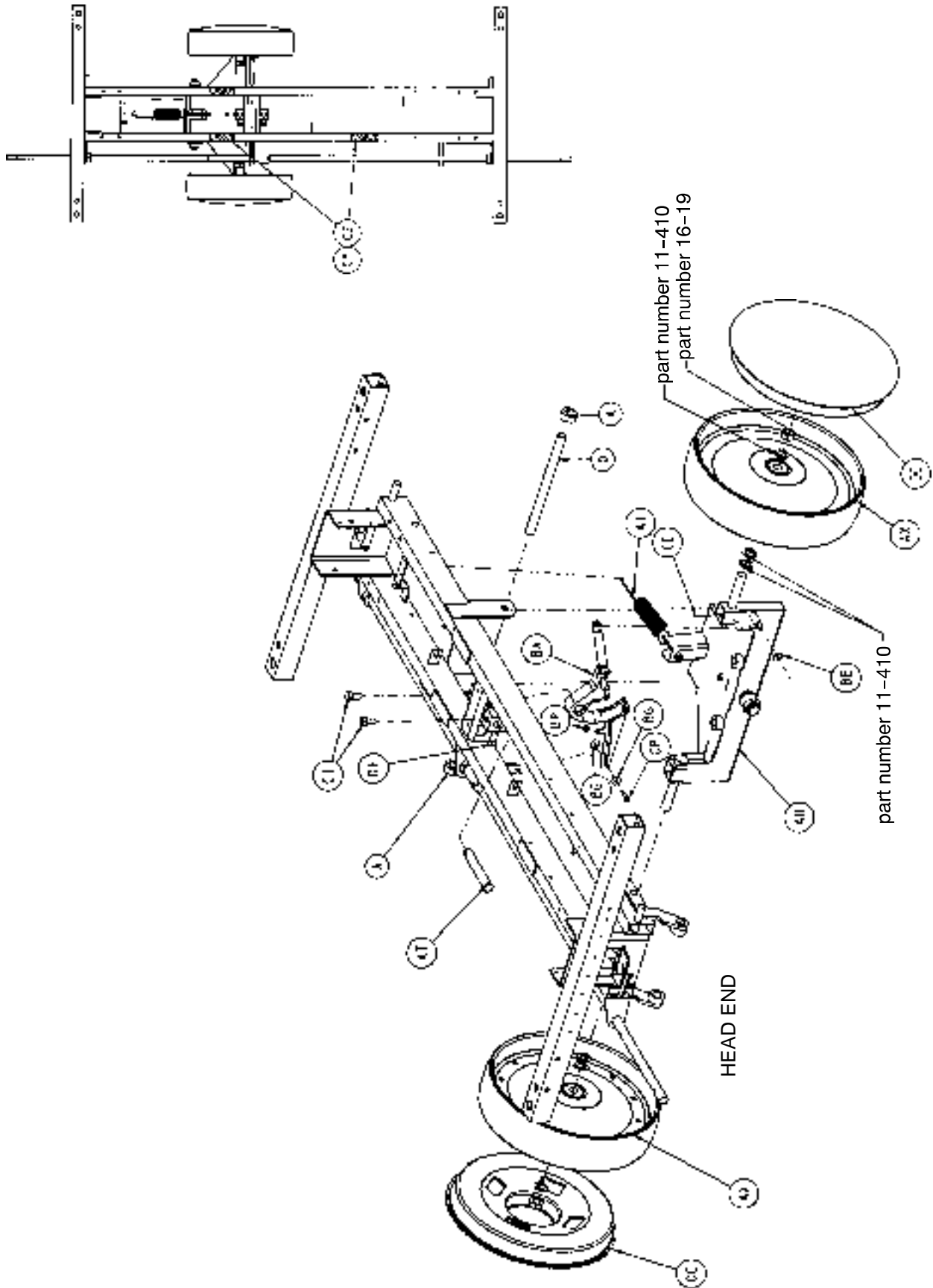
# Optional End Control Big Wheel Base Assembly



# Optional End Control Big Wheel Base Assembly



# Optional End Control Big Wheel Base Assembly

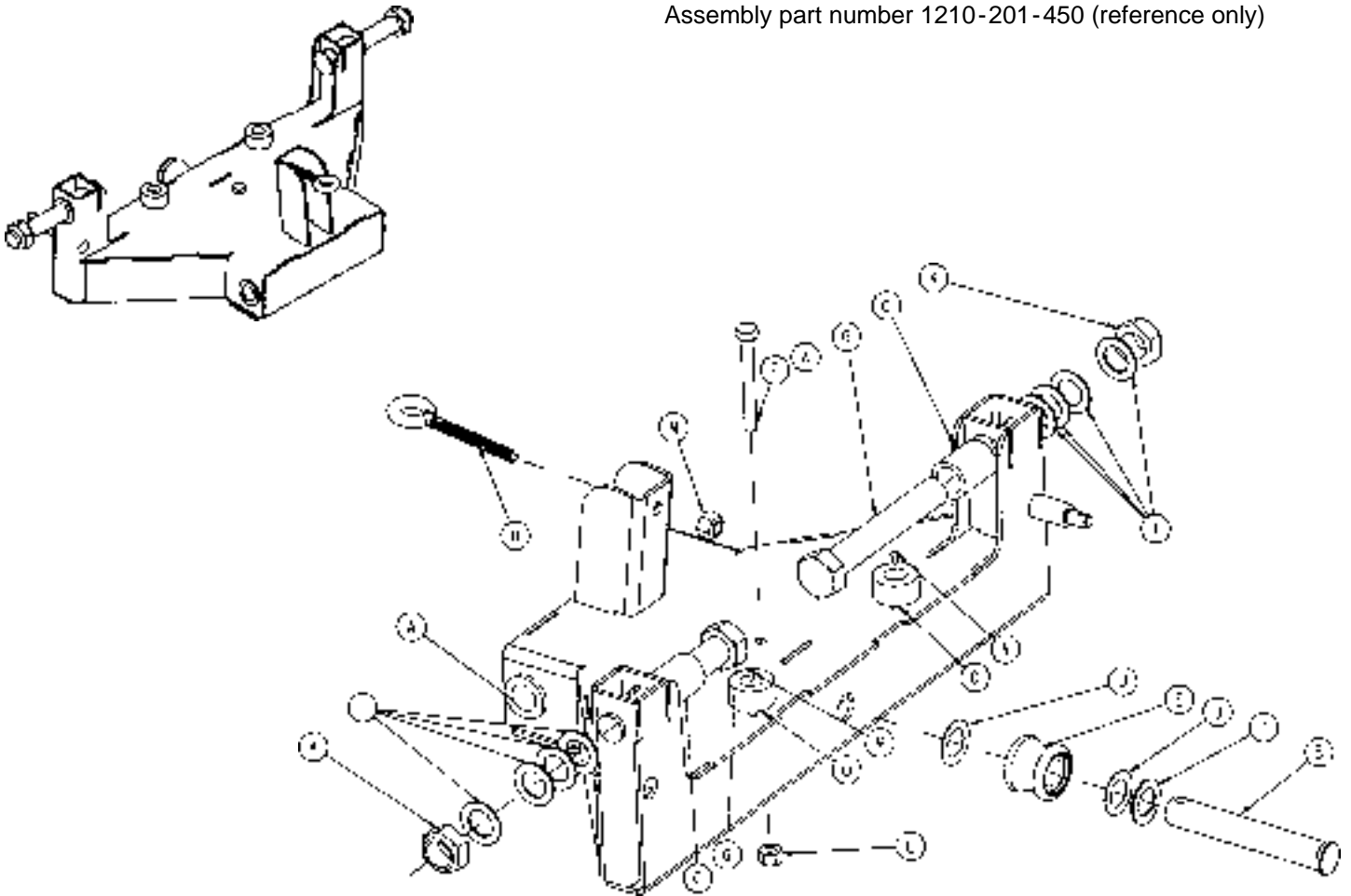


# Optional End Control Big Wheel Base Assembly

| Item | Part No.     | Part Name                    | Qty. | Item | Part No.      | Part Name                 | Qty. |
|------|--------------|------------------------------|------|------|---------------|---------------------------|------|
| A    | 42-20        | Collar                       | 4    | BB   | 1210-301-200  | Hd. End Pin Brkt. Pivot   | 1    |
| B    | 715-1-11     | Brake Cushion                | 4    | BC   | 1210-301-201  | Ft. End Pin Brkt. Pivot   | 1    |
| C    | 715-1-61     | Caster Brake Weldment        | 2    | BE   | 11-3          | Washer                    | 5    |
| D    | 715-1-92     | Pump Pedal Shaft             | 2    | BF   | 11-13         | Washer                    | 2    |
| E    | 715-1-94     | Compression Spring           | 2    | BG   | 11-224        | Washer                    | 2    |
| F    | 715-1-133    | Jack Spring Collar           | 1    | BH   | 11-262        | Washer                    | 10   |
| G    | 715-1-140    | Vinyl Tube                   | 2    | BI   | 11-350        | Washer                    | 1    |
| H    | 715-1-158    | Caster Nut                   | 4    | BJ   | 13-38         | Lock Washer               | 4    |
| I    | 715-1-192    | Jack Support                 | 2    | BK   | 14-2          | Washer                    | 6    |
| J    | 715-1-193    | Jack Support Clamp           | 2    | BM   | 14-3          | Washer                    | 2    |
| K    | 715-1-333    | Release Rod Stop Sleeve      | 2    | BN   | 14-7          | Washer                    | 4    |
| M    | 715-201-126  | Slip On Pump Pedal           | 2    | BO   | 15-11         | Hex Nut                   | 4    |
| N    | (page 32)    | Brake Adjuster Assembly      | 2    | BP   | 16-2          | Hex Nut                   | 3    |
| O    | (page 33)    | Brake Cam Assembly           | 2    | BR   | 16-14         | Hex Nut                   | 2    |
| P    | 715-201-230  | Brake Rod                    | 1    | BS   | 16-102        | Hex Nut                   | 4    |
| R    | 716-1-15     | Release Pivot Bar            | 2    | BT   | 16-36         | Hex Nut                   | 16   |
| S    | 716-1-52     | Pivot Assembly, Ft. End      | 1    | BU   | 21-151        | Set Screw                 | 2    |
| T    | 716-1-102    | Pump Link Wldmt., Ft. End    | 1    | BW   | 23-25         | Hex Washer Hd. Tap. Screw | 1    |
| U    | 716-1-109    | Pump Link Wldmt., Hd. End    | 1    | BX   | 26-13         | Spring Pin                | 3    |
| W    | 716-1-119    | Pivot Assembly, Hd. End      | 1    | BY   | 26-143        | Groove Pin                | 4    |
| X    | 716-1-281    | Pump Idler Link              | 2    | BZ   | 26-195        | Clevis Pin                | 2    |
| Y    | 716-1-286    | Ball Release Spacer          | 4    | CA   | 27-3          | Cotter Pin                | 8    |
| Z    | 716-201-61   | Release Pedal Pivot Rod      | 2    | CB   | 27-4          | Cotter Pin                | 8    |
| AA   | 716-201-70   | Long Release Rod             | 2    | CE   | 27-13         | Cotter Pin                | 1    |
| AB   | 716-301-74   | Release Rod                  | 2    | CF   | 27-16         | Cotter Pin                | 2    |
| AC   | (page 35)    | Pump Pedal Ass'y, Ft. End    | 1    | CG   | 28-97         | External Retaining Ring   | 2    |
| AD   | (page 36)    | Pump Pedal Ass'y, Hd. End    | 1    | CH   | 3-11          | Hex Cap Screw             | 8    |
| AE   | 763-1-15     | Jack Spring                  | 1    | CI   | 3-21          | Hex Cap Screw             | 2    |
| AF   | 763-1-16     | Spring Guide                 | 1    | CJ   | 3-85          | Hex Cap Screw             | 8    |
| AG   | 946-1-116    | Brake Bar Bushing            | 4    | CK   | 38-235        | Desc. Pedal Return Spring | 4    |
| AH   | 1210-101-112 | Release Rod, Hd. End, Lt.    | 1    | CM   | 38-451        | Pump Return Spring        | 2    |
| AI   | 1210-1-151   | Interface Spring             | 1    | CN   | 38-326        | Extension Spring          | 2    |
| AJ   | 1210-201-27  | Pump Rod Ass'y Angle         | 1    | CO   | 52-245        | Nyliner                   | 4    |
| AM   | 1210-201-111 | End Release Pedal Bracket    | 2    | CP   | 8-17          | Shoulder Bolt             | 3    |
| AN   | 1210-201-153 | Butterfly "V" Pedal          | 2    | CR   | 81-301        | Bearing                   | 1    |
| AO   | 1210-201-154 | Rel. Pedal, Hd., Offset, Rt. | 2    | CS   | 715-1-156     | Ground Chain              | 1    |
| AP   | 1210-201-155 | Rel. Pedal, Ft., Offset, Lt. | 2    | CT   | 14-9          | Washer                    | 2    |
| AR   | 1210-201-220 | Base Frame Weldment          | 1    | CW   | (p. 57 or 59) | Jack Assembly             | 2    |
| AS   | 1210-201-251 | Insert                       | 2    | CX   | 3-3           | Hex Bolt                  | 4    |
| AT   | 1210-201-412 | Roller Pin                   | 1    | CY   | 29-12         | Velcro Loop               | 3    |
| AU   | (page 53)    | Interface Assembly           | 1    | CZ   | 29-14         | Velcro Hook               | 3    |
| AW   | 1210-201-551 | Eye Bolt                     | 2    | DA   | 14-71         | Washer                    | 2    |
| AX   | (page 55)    | Wheel Assembly               | 2    | DB   | (page 39)     | Caster Assembly           | 4    |
| AY   | 1210-201-620 | Actuator Weldment            | 2    | DC   | 1210-201-650  | Wheel Cover Assembly      | 2    |
| AZ   | 1210-201-630 | Horn Weldment                | 1    | DD   | 1210-201-330  | Spring Support            | 1    |
| BA   | (page 56)    | Cam Assembly                 | 1    | DE   | 3-351         | Hex Hd. Cap Screw         | 2    |

# Optional Big Wheel Interface Assembly

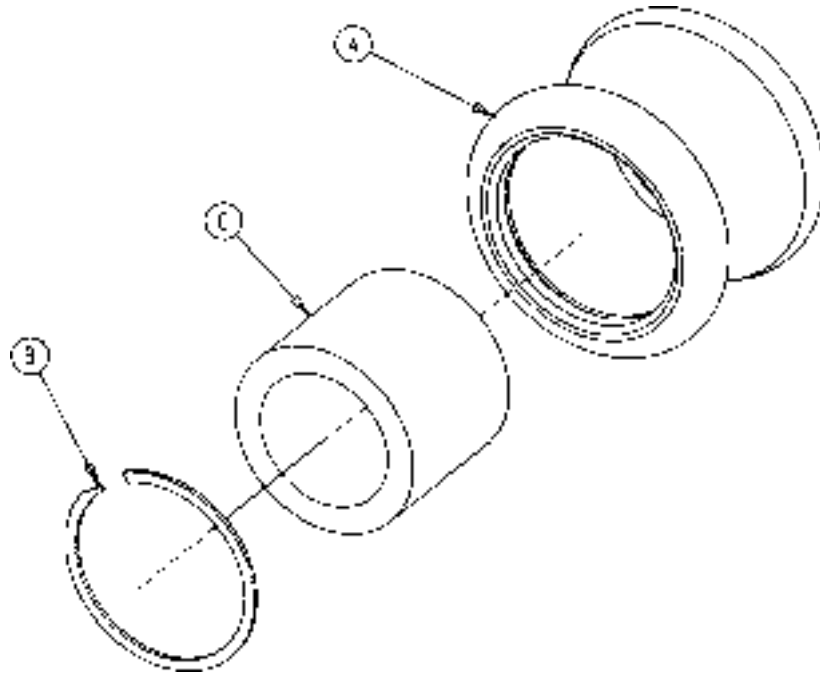
Assembly part number 1210-201-450 (reference only)



| Item | Part No.     | Part Name          | Qty. |
|------|--------------|--------------------|------|
| A    | 81-303       | Flange Bushing     | 2    |
| B    | 1210-201-412 | Roller Pin         | 1    |
| C    | 1210-201-625 | Interface Sleeve   | 2    |
| D    | 1210-201-445 | Interface Weldment | 1    |
| E    | (page 54)    | Roller Assembly    | 1    |
| F    | 3-32         | Hex Hd. Cap Screw  | 1    |
| G    | 3-345        | Hex Hd. Cap Screw  | 2    |
| H    | 10-4         | Eye Bolt           | 1    |
| I    | 11-410       | Washer             | 9    |
| J    | 14-80        | Washer             | 2    |
| K    | 16-19        | Hex Nut            | 2    |
| L    | 16-28        | Hex Nut            | 1    |
| M    | 16-36        | Hex Nut            | 1    |
| N    | 25-133       | Rivet              | 2    |
| O    | 56-16        | Bumper Pad         | 2    |

# 1210-301-641 Optional Big Wheel Roller Assembly

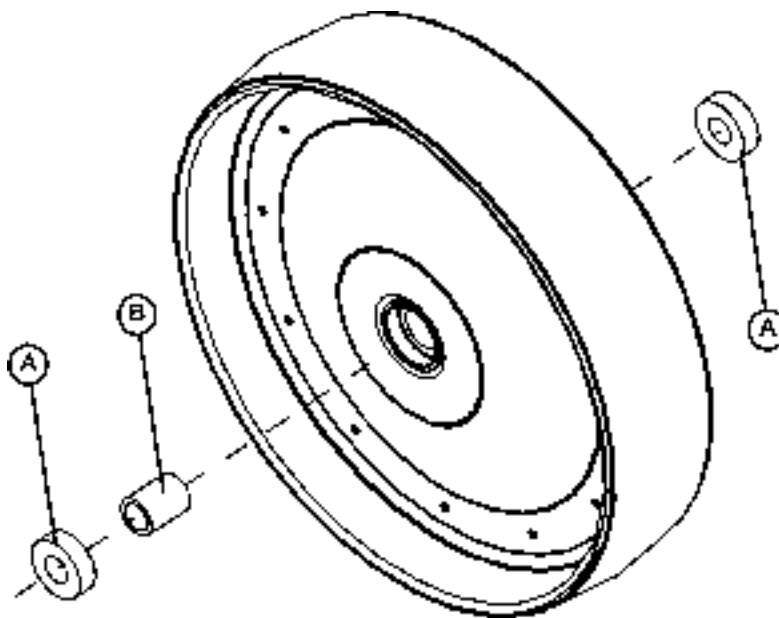
---



| Item | Part No.     | Part Name | Qty. |
|------|--------------|-----------|------|
| A    | 1210-301-640 | Roller    | 1    |
| B    | 28-184       | Snap Ring | 1    |
| C    | 81-299       | Bearing   | 1    |

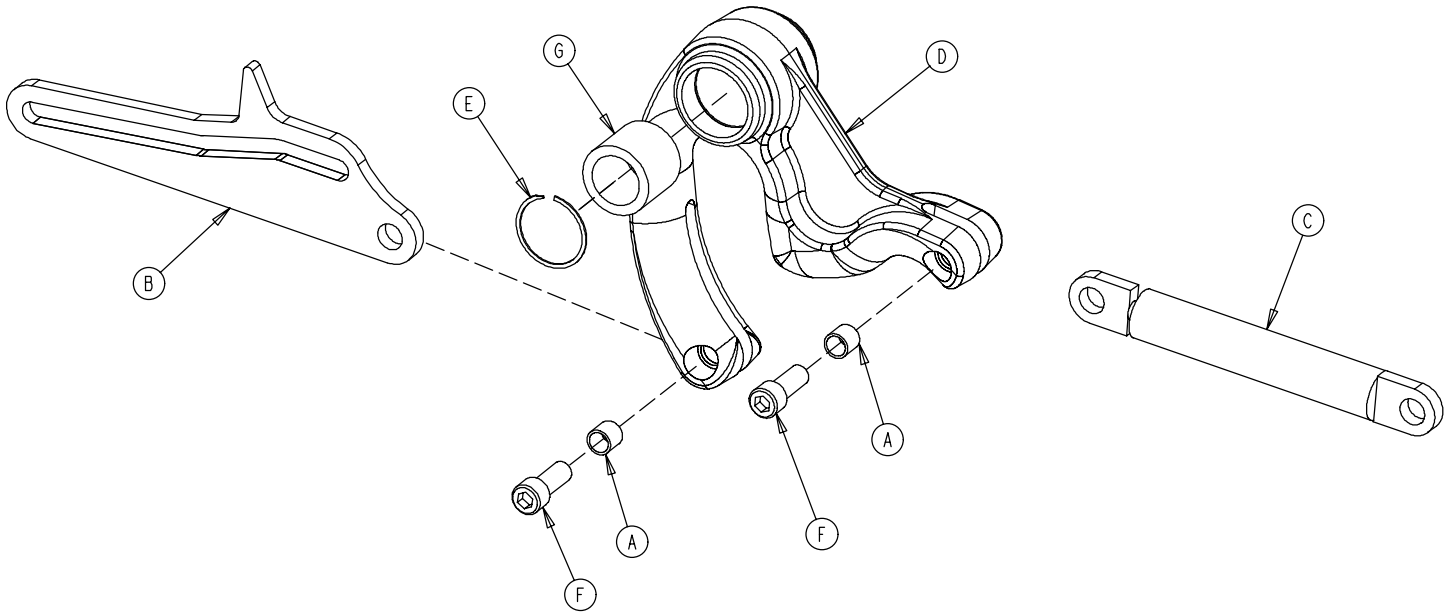
# 1210-301-619 Optional Big Wheel Assembly

---



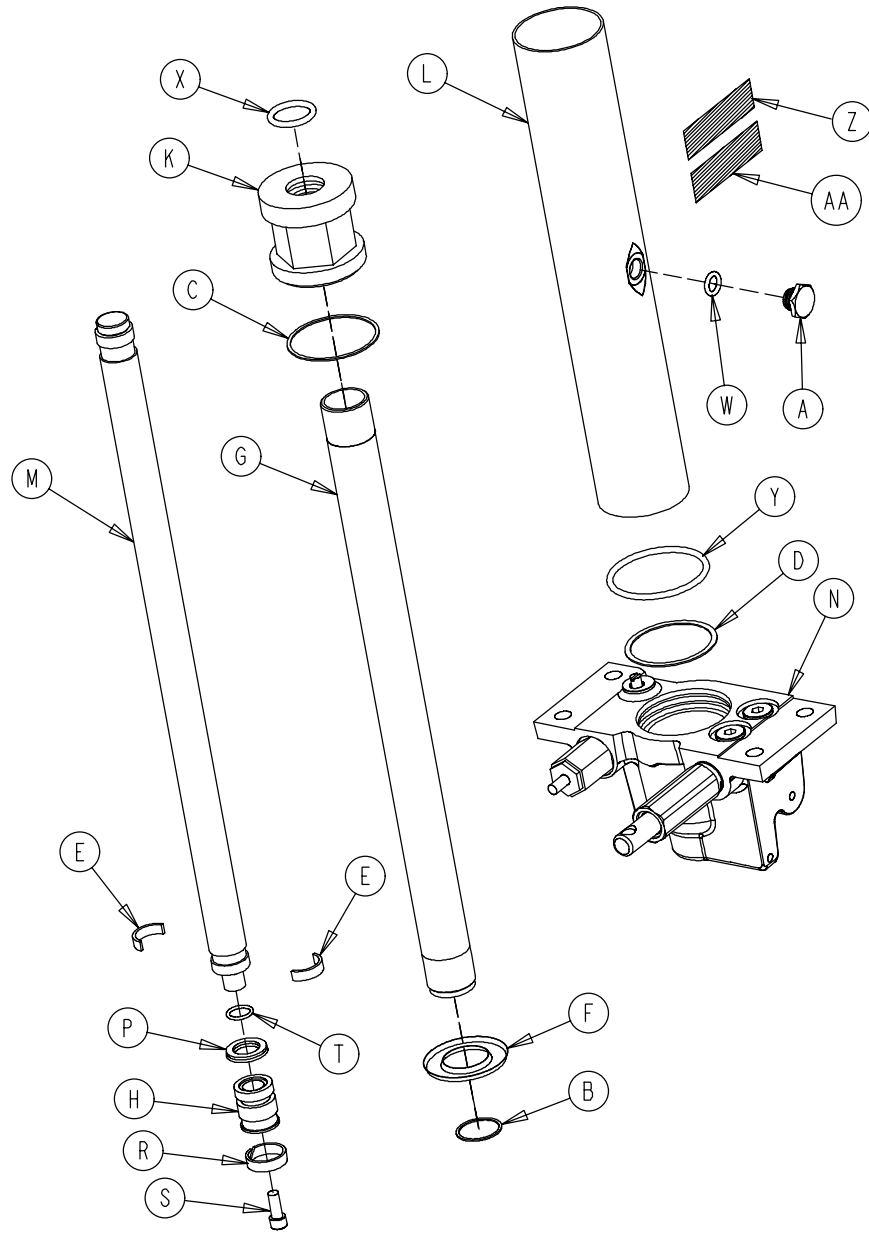
| Item | Part No.     | Part Name          | Qty. |
|------|--------------|--------------------|------|
| A    | 81-226       | Bearing            | 2    |
| B    | 1210-201-625 | Wheel Inner Sleeve | 1    |

# 1210-301-900 Optional Big Wheel Cam Assembly



| Item | Part No.     | Part Name                 | Qty. |
|------|--------------|---------------------------|------|
| A    | 715-1-333    | Release Valve Stop Sleeve | 2    |
| B    | 1210-201-610 | Connecting Link           | 1    |
| C    | 1210-201-671 | Dampener                  | 1    |
| D    | 1210-301-901 | Cam                       | 1    |
| E    | 28-184       | Snap Ring                 | 1    |
| F    | 4-328        | Soc. Hd. Cap Screw        | 2    |
| G    | 81-299       | Needle Bearing            | 1    |

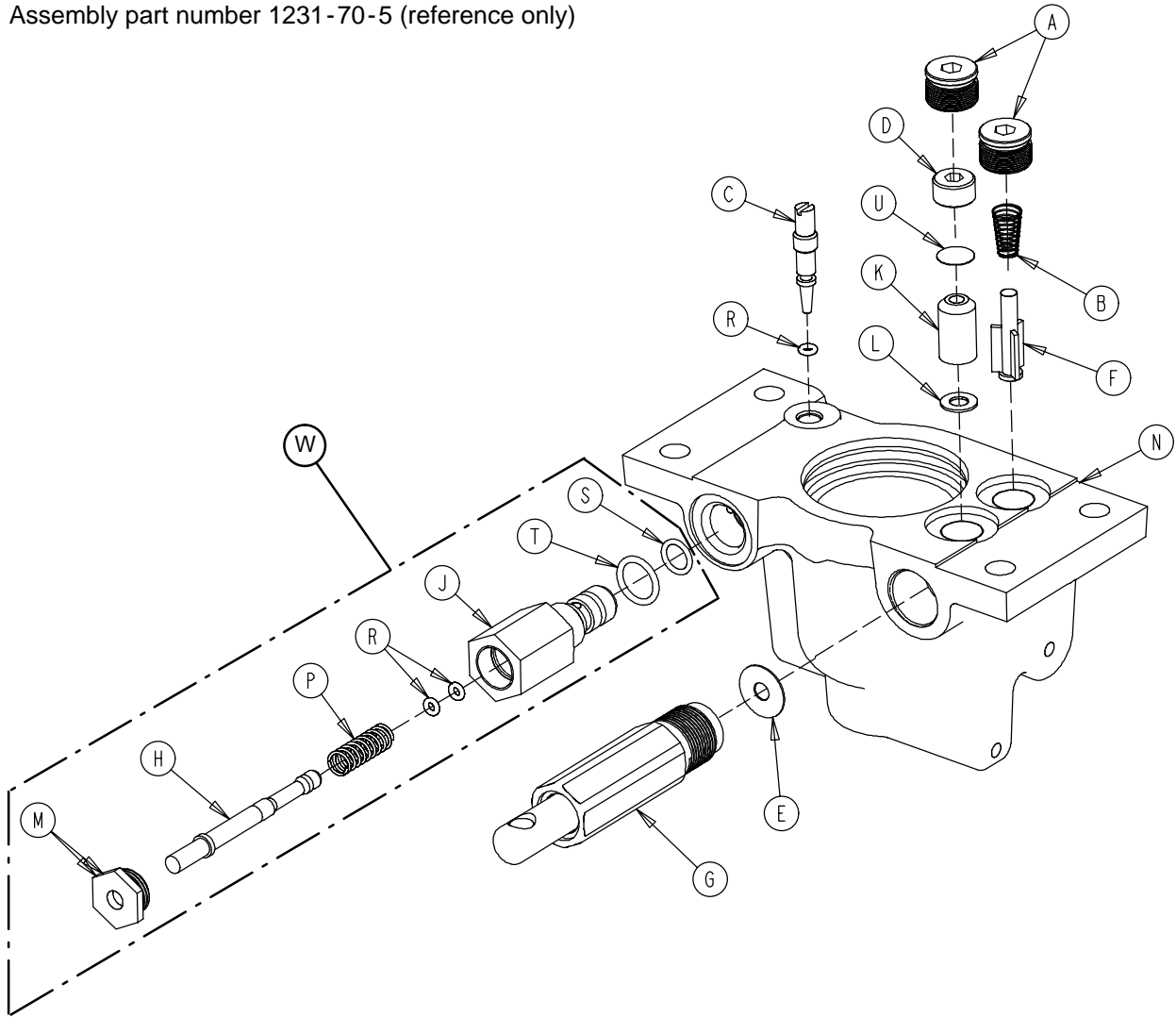
# 1231-70-10 Variable Descent Jack Assembly



| Item | Part No.   | Part Name         | Qty. | Item | Part No.    | Part Name           | Qty. |
|------|------------|-------------------|------|------|-------------|---------------------|------|
| A    | 388-100-38 | Plug              | 1    | N    | (page 58)   | Jack Base Ass'y     | 1    |
| B    | 390-1-238  | Actuator Gasket   | 1    | P    | 926-20-161  | Parker Packing      | 1    |
| C    | 390-1-243  | Gasket            | 1    | R    | 926-20-162  | Wear Ring           | 1    |
| D    | 390-1-244  | Base Gasket       | 1    | S    | 4-14        | Soc. Hd. Cap Screw  | 1    |
| E    | 390-2-139  | Retaining Ring    | 2    | T    | 45-14       | O-Ring              | 1    |
| F    | 715-1-320  | Jack Screen       | 1    | W    | 45-110      | O-Ring              | 1    |
| G    | 715-1-323  | Actuator Cylinder | 1    | X    | 45-904      | O-Ring              | 1    |
| H    | 715-1-331  | Piston End        | 1    | Y    | 45-978      | O-Ring              | 1    |
| K    | 715-1-340  | Jack Cap Assembly | 1    | Z    | 1231-70-110 | Label               | 1    |
| L    | 715-1-422  | Reservoir         | 1    | AA   | 921-1-252   | Serial Number Label | 1    |
| M    | 715-1-325  | Actuator Rod      | 1    |      |             |                     |      |

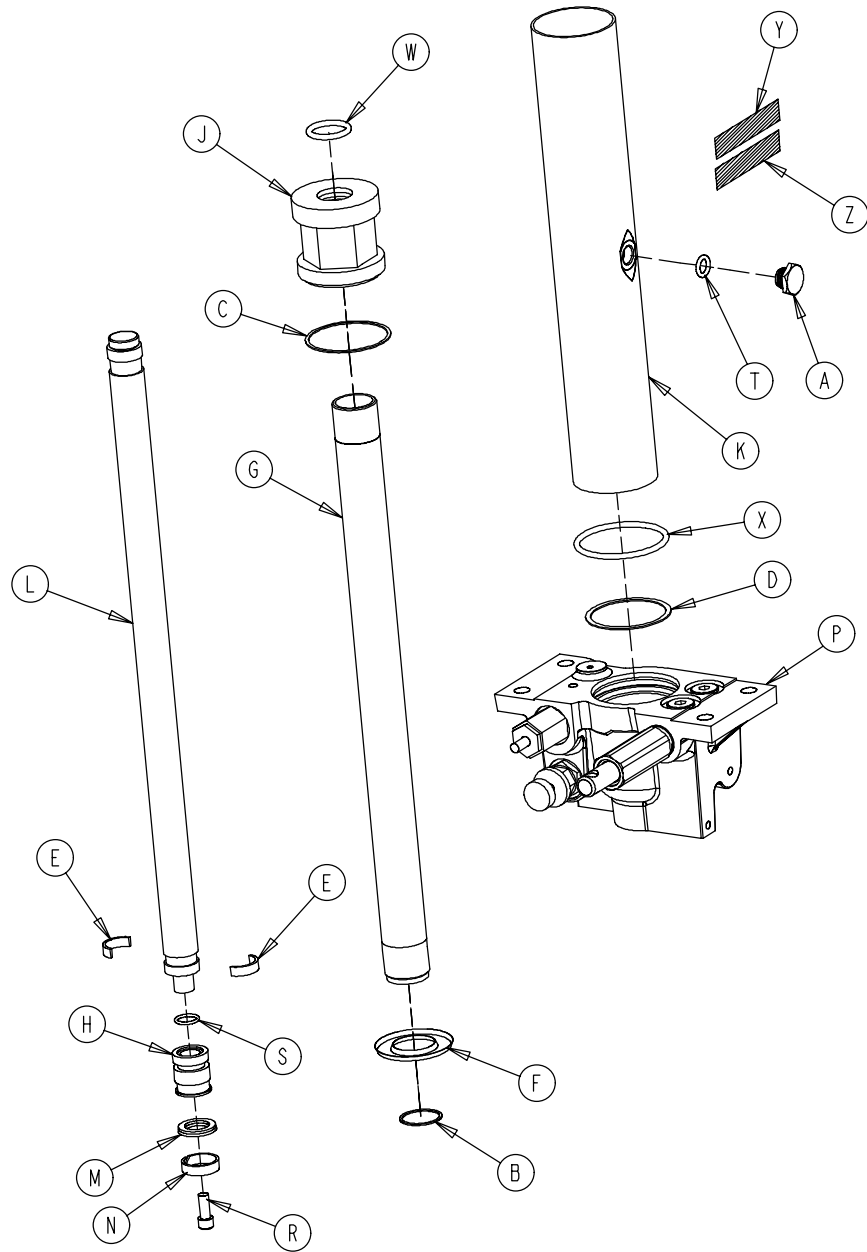
# Jack Base Assembly

Assembly part number 1231-70-5 (reference only)



| Item | Part No.   | Part Name            | Qty. | Item | Part No.    | Part Name             | Qty. |
|------|------------|----------------------|------|------|-------------|-----------------------|------|
| A    | 48-147     | Base Plug            | 2    | L    | 926-20-154  | Seal                  | 1    |
| B    | 390-2-134  | Conical Comp. Spring | 1    | M    | 1210-170-13 | Base Plug             | 1    |
| C    | 715-1-307  | Needle Valve         | 1    | N    | 1210-270-12 | Jack Base             | 1    |
| D    | 715-1-309  | Valve Plug           | 1    | P    | 38-311      | Compression Spring    | 1    |
| E    | 715-1-329  | Pump Seal            | 1    | R    | 45-6        | O-Ring                | 3    |
| F    | 715-1-341  | Poppet               | 1    | S    | 45-966      | O-Ring                | 1    |
| G    | (page 61)  | Pump Piston Assembly | 1    | T    | 45-967      | O-Ring                | 1    |
| H    | 715-270-1  | Pin                  | 1    | U    | 715-1-321   | Check Valve Screen    | 1    |
| J    | 715-270-2  | Pin Housing          | 1    | W    | 715-270-100 | Relief Valve Assembly | 1    |
| K    | 926-20-153 | Check Valve          | 1    |      |             |                       |      |

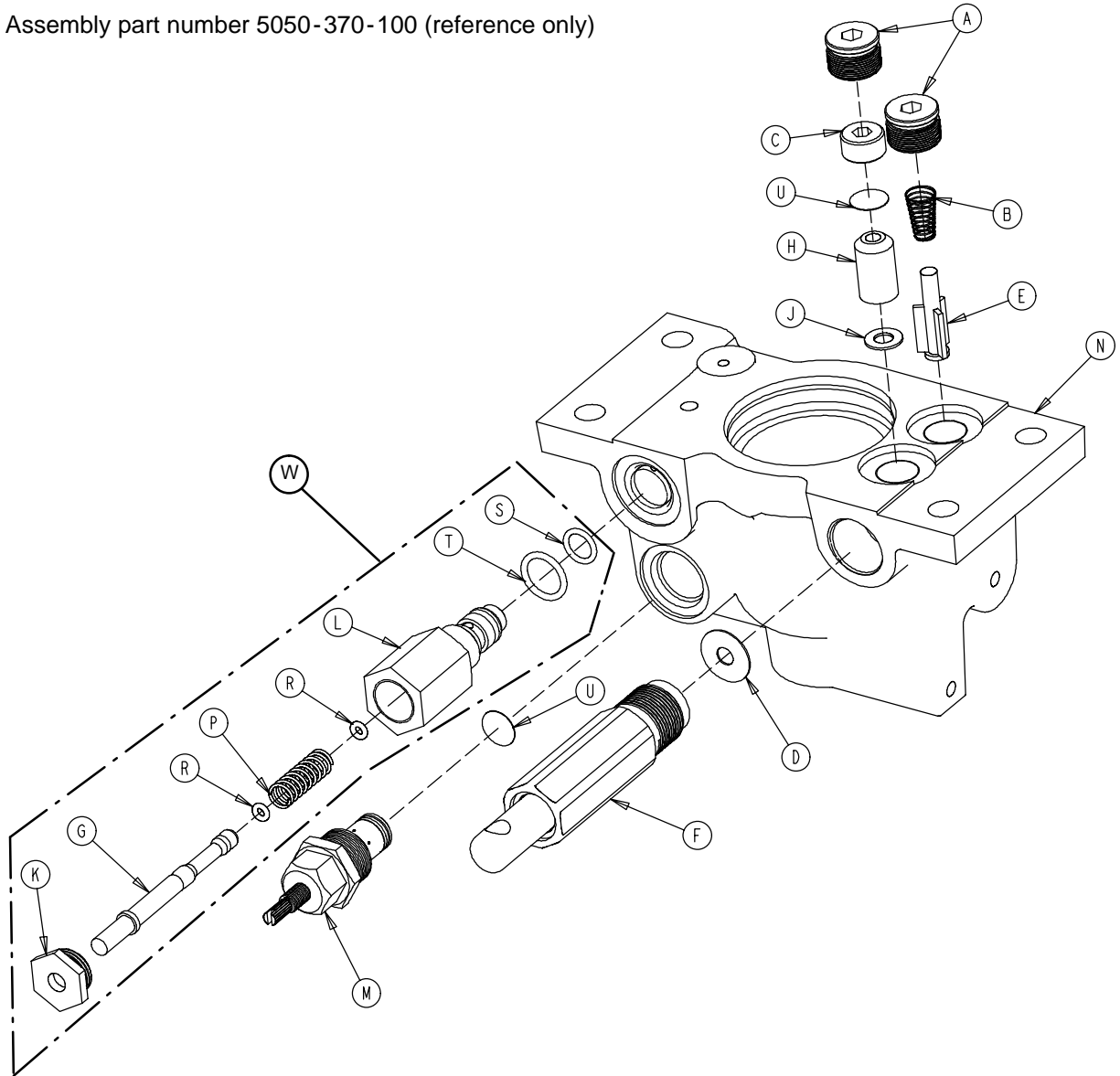
# 1231-70-210 Constant Flow Jack Assembly



| Item | Part No.   | Part Name         | Qty. | Item | Part No.    | Part Name           | Qty. |
|------|------------|-------------------|------|------|-------------|---------------------|------|
| A    | 388-100-38 | Plug              | 1    | M    | 926-20-161  | Parker Packing      | 1    |
| B    | 390-1-238  | Actuator Gasket   | 1    | N    | 926-20-162  | Wear Ring           | 1    |
| C    | 390-1-243  | Gasket            | 1    | P    | (page 60)   | Jack Base Ass'y     | 1    |
| D    | 390-1-244  | Base Gasket       | 1    | R    | 4-14        | Soc. Hd. Cap Screw  | 1    |
| E    | 390-2-139  | Retaining Ring    | 2    | S    | 45-14       | O-Ring              | 1    |
| F    | 715-1-320  | Jack Screen       | 1    | T    | 45-110      | O-Ring              | 1    |
| G    | 715-1-323  | Actuator Cylinder | 1    | W    | 45-904      | O-Ring              | 1    |
| H    | 715-1-331  | Piston End        | 1    | X    | 45-978      | O-Ring              | 1    |
| J    | 715-1-340  | Jack Cap Assembly | 1    | Y    | 1231-70-211 | Label               | 1    |
| K    | 715-1-422  | Reservoir         | 1    | Z    | 921-1-252   | Serial Number Label | 1    |
| L    | 715-1-325  | Actuator Rod      | 1    |      |             |                     |      |

# Constant Flow Jack Base Assembly

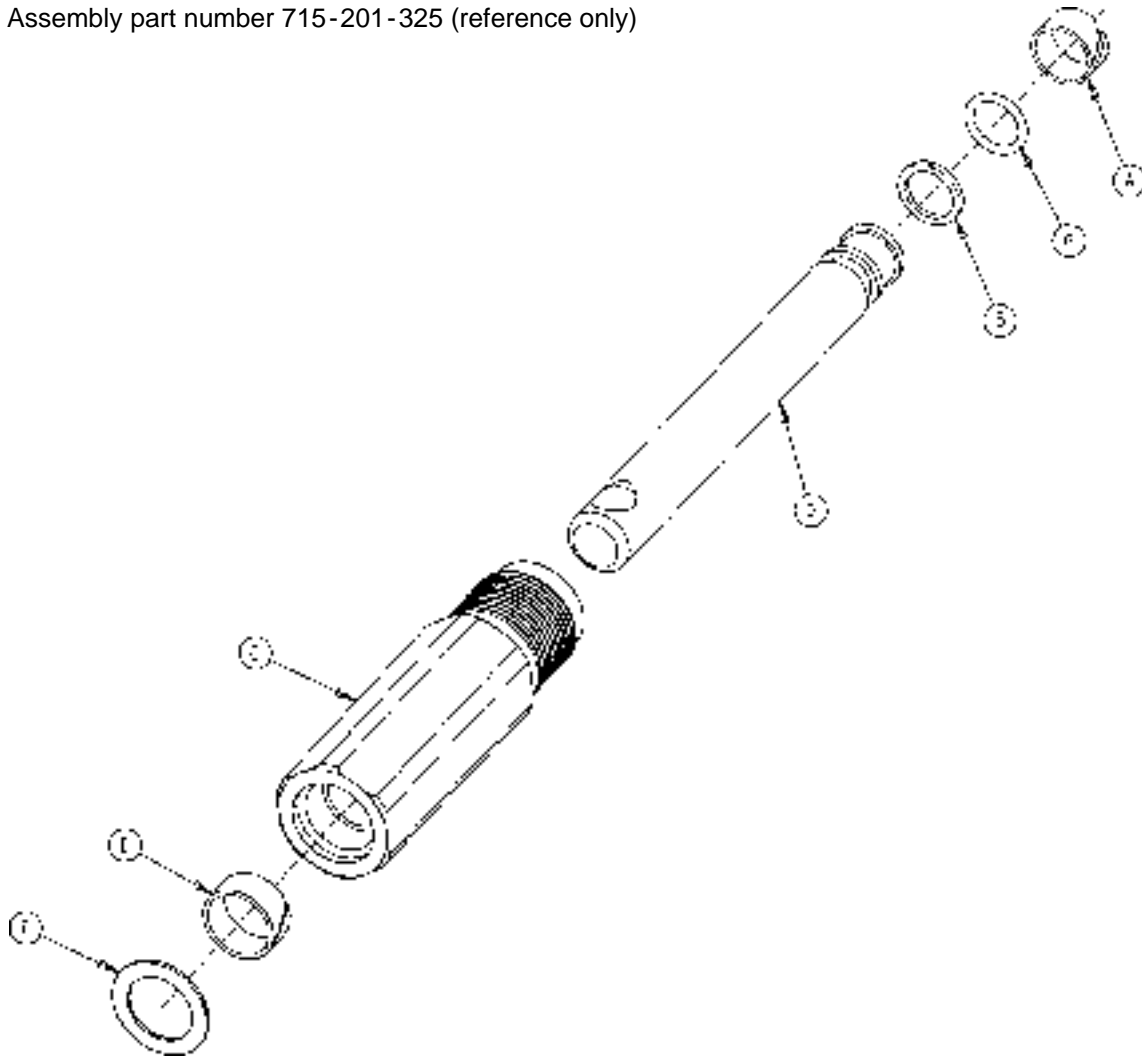
Assembly part number 5050-370-100 (reference only)



| Item | Part No.    | Part Name            | Qty. | Item | Part No.     | Part Name                 | Qty. |
|------|-------------|----------------------|------|------|--------------|---------------------------|------|
| A    | 48-147      | Base Plug            | 2    | L    | 2025-75-87   | Pin Housing               | 1    |
| B    | 390-2-134   | Conical Comp. Spring | 1    | M    | 5050-170-50  | Adj. P.C. Valve Cartridge | 1    |
| C    | 715-1-309   | Valve Plug           | 1    | N    | 5050-370-110 | Jack Base                 | 1    |
| D    | 715-1-329   | Pump Seal            | 1    | P    | 38-311       | Compression Spring        | 1    |
| E    | 715-1-341   | Poppet               | 1    | R    | 45-6         | O-Ring                    | 2    |
| F    | (page 61)   | Pump Piston Assembly | 1    | S    | 45-966       | O-Ring                    | 1    |
| G    | 715-270-1   | Pin                  | 1    | T    | 45-967       | O-Ring                    | 1    |
| H    | 926-20-153  | Check Valve          | 1    | U    | 715-1-321    | Check Valve Screen        | 2    |
| J    | 926-20-154  | Seal                 | 1    | W    | 2025-700-26  | Relief Valve Assembly     | 1    |
| K    | 1210-170-13 | Base Plug            | 1    |      |              |                           |      |

# 715-100-425 Jack Pump Piston Assembly

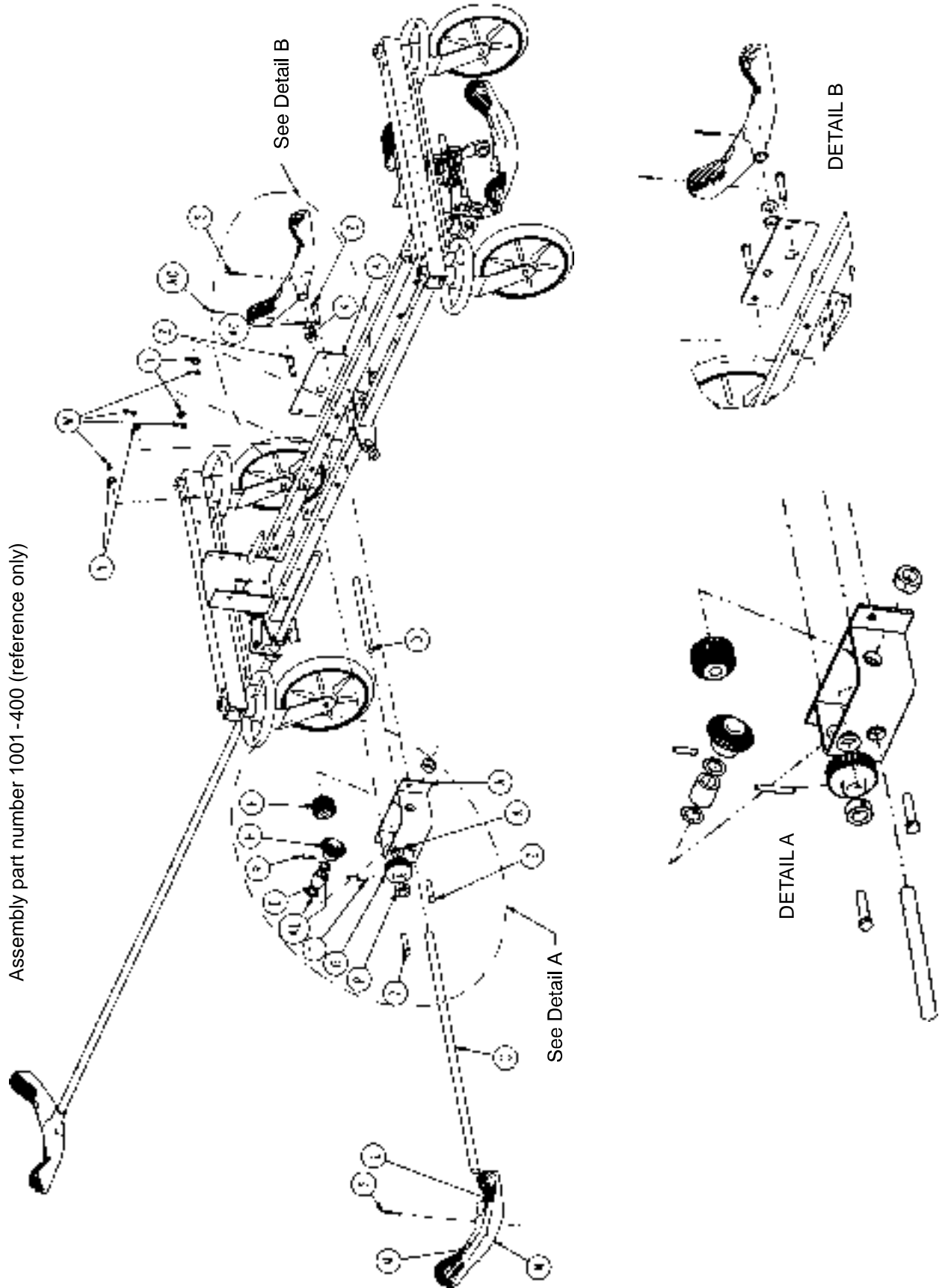
Assembly part number 715-201-325 (reference only)



| Item | Part No.    | Part Name             | Qty. |
|------|-------------|-----------------------|------|
| A    | 715-1-328   | Piston Wear Ring      | 1    |
| B    | 715-1-400   | O-Ring Back Up        | 1    |
| C    | 715-200-316 | Pump Cylinder         | 1    |
| D    | 715-201-318 | Pump Piston           | 1    |
| E    | 715-201-327 | Cylinder Wear Ring    | 1    |
| F    | 14-50       | Bearing Retainer      | 1    |
| G    | 45-110      | O-Ring                | 1    |
|      | 715-1-329   | Pump Seal (not shown) | 1    |

# Optional Side Control Brake Assembly

Assembly part number 1001-400 (reference only)



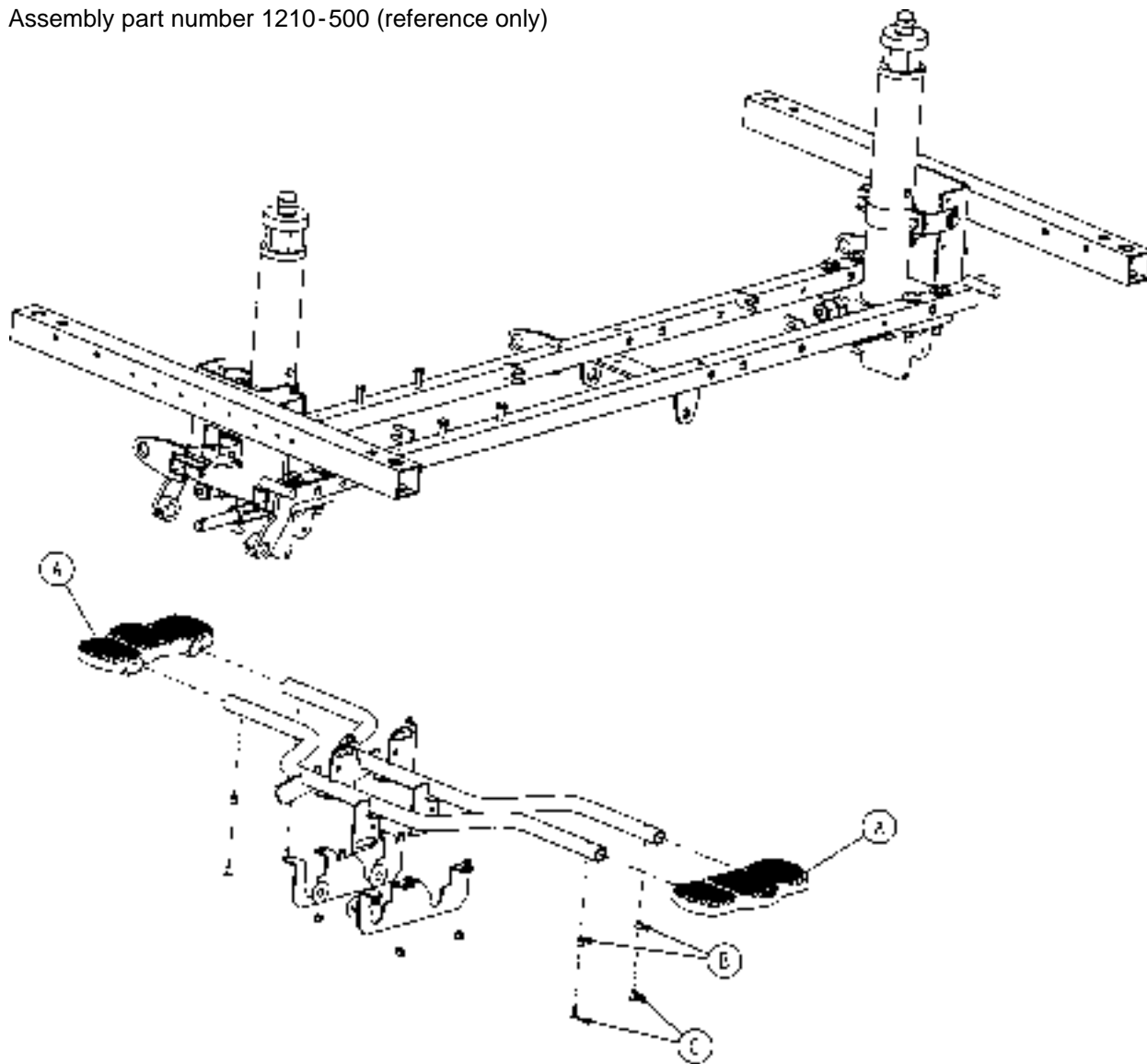
# Optional Side Control Brake Assembly

---

| Item | Part No.     | Part Name                    | Qty. |
|------|--------------|------------------------------|------|
| A    | 1210-301-400 | Gear Box Weldment            | 1    |
| B    | 1210-301-412 | Support                      | 1    |
| C    | 1210-201-409 | Side Control Brake/Steer Rod | 1    |
| D    | 1210-201-407 | Pin                          | 1    |
| E    | 1210-301-406 | Spacer                       | 1    |
| F    | 1210-301-405 | Miter/Spur Gear              | 1    |
| G    | 1210-301-404 | Spur Gear                    | 1    |
| H    | 1210-301-403 | Miter Gear                   | 1    |
| K    | 1210-201-401 | Flange Bearing               | 5    |
| L    | 1210-201-336 | Steer Label                  | 2    |
| M    | 1210-201-335 | Brake Label                  | 2    |
| N    | 1210-201-153 | Butterfly "V" Pedal          | 2    |
| P    | 42-20        | Collar                       | 1    |
| R    | 26-265       | Gear Dowel Pin               | 1    |
| S    | 26-143       | Pedal Dowel Pin              | 2    |
| T    | 26-166       | Groove Pin                   | 1    |
| W    | 16-35        | Lock Nut                     | 4    |
| Y    | 11-4         | Flat Washer                  | 4    |
| Z    | 3-45         | Hex Hd. Cap Screw            | 4    |
| AA   | 1210-201-341 | Brake/Steer Label, Right     | 1    |
| AB   | 1210-201-342 | Brake/Steer Label, Left      | 1    |
| AC   | 14-71        | Washer                       | 1    |
| AD   | 27-16        | Cotter Pin                   | 1    |
| AE   | 14-80        | Washer                       | 2    |

# Optional Uni-Lower Pedal Assembly

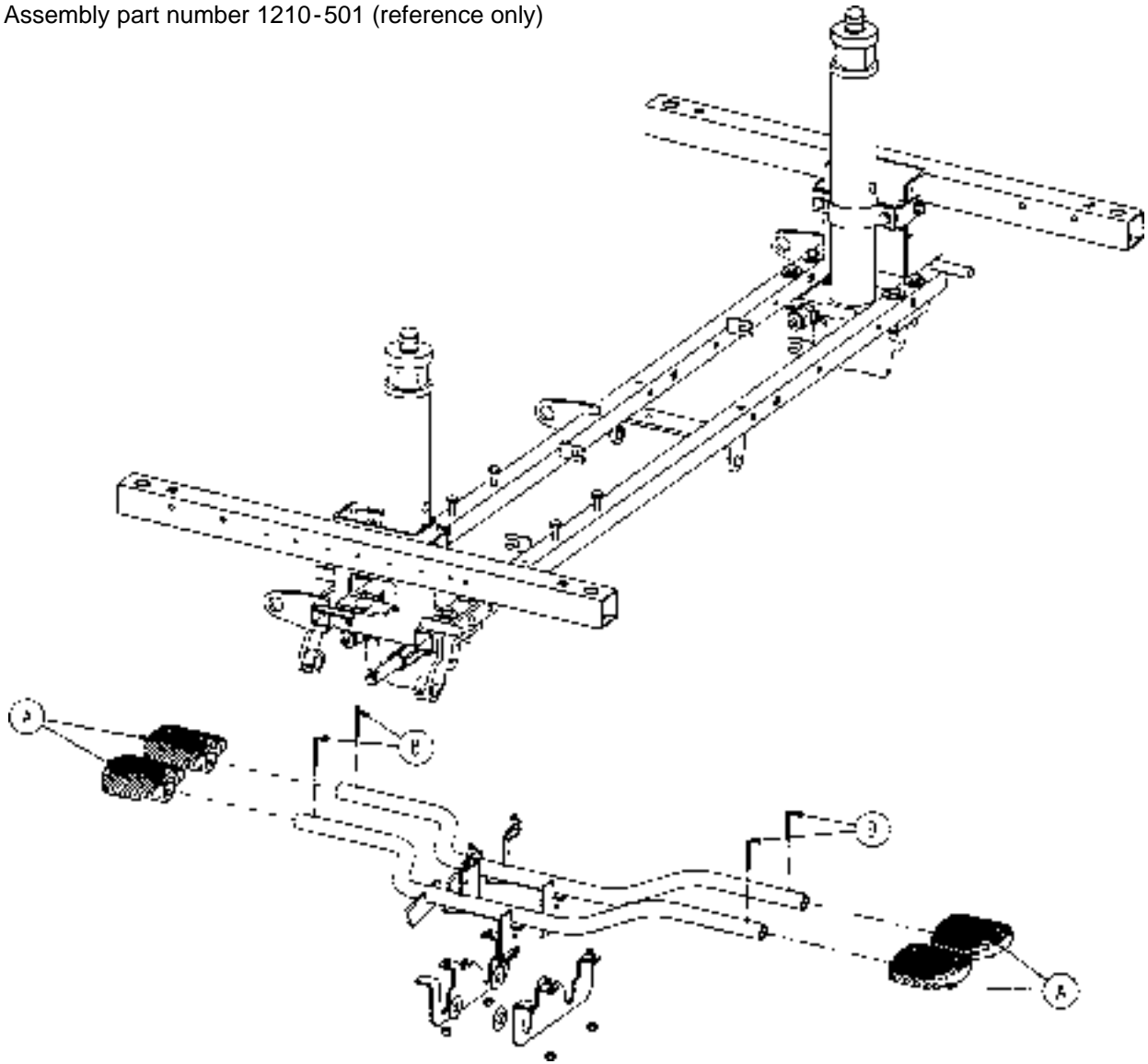
Assembly part number 1210-500 (reference only)



| Item | Part No.    | Part Name               | Qty. |
|------|-------------|-------------------------|------|
| A    | 715-201-127 | Uni-Lowering Pedal      | 2    |
| B    | 715-1-333   | Release Rod Stop Sleeve | 4    |
| C    | 25-50       | Pop Rivet               | 4    |

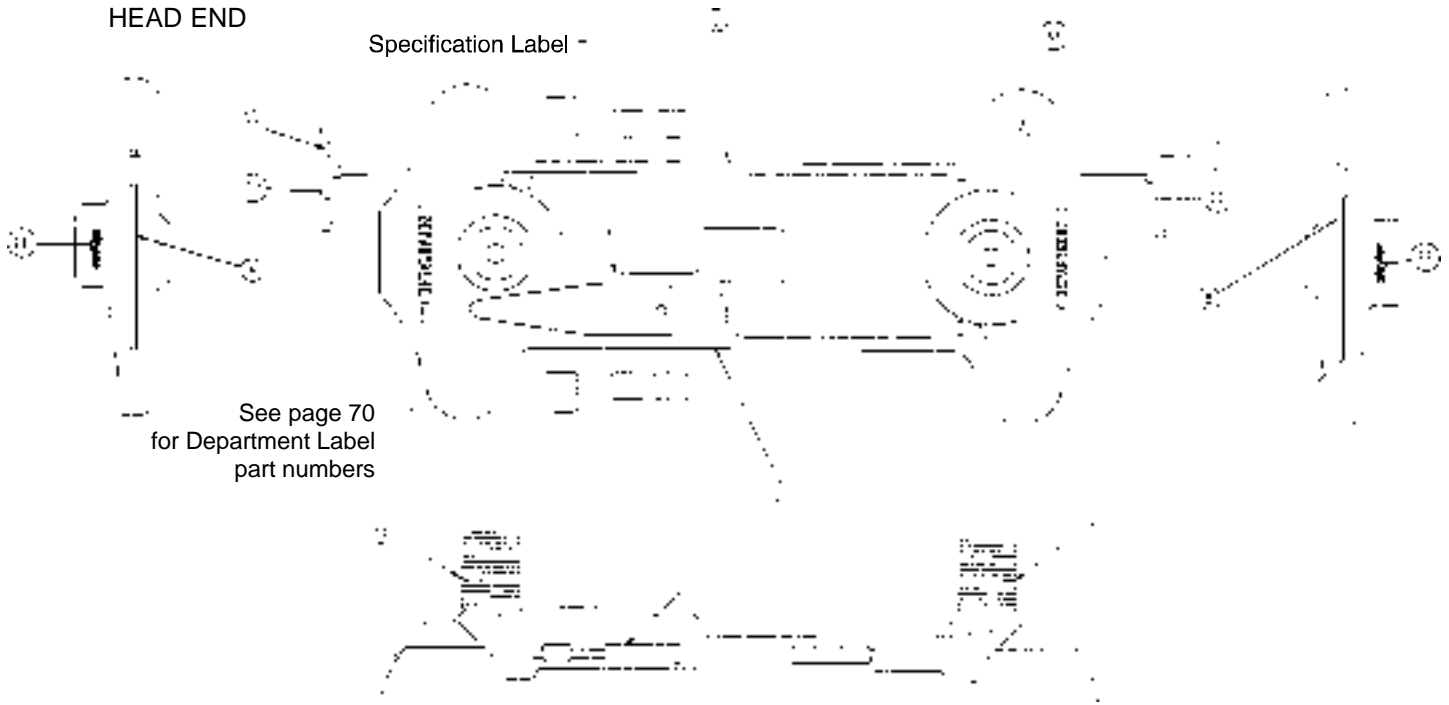
# Optional Dual Lowering Pedal Assembly

Assembly part number 1210-501 (reference only)



| Item | Part No.    | Part Name  | Qty. |
|------|-------------|------------|------|
| A    | 715-201-126 | Pump Pedal | 4    |
| B    | 26-143      | Groove Pin | 4    |

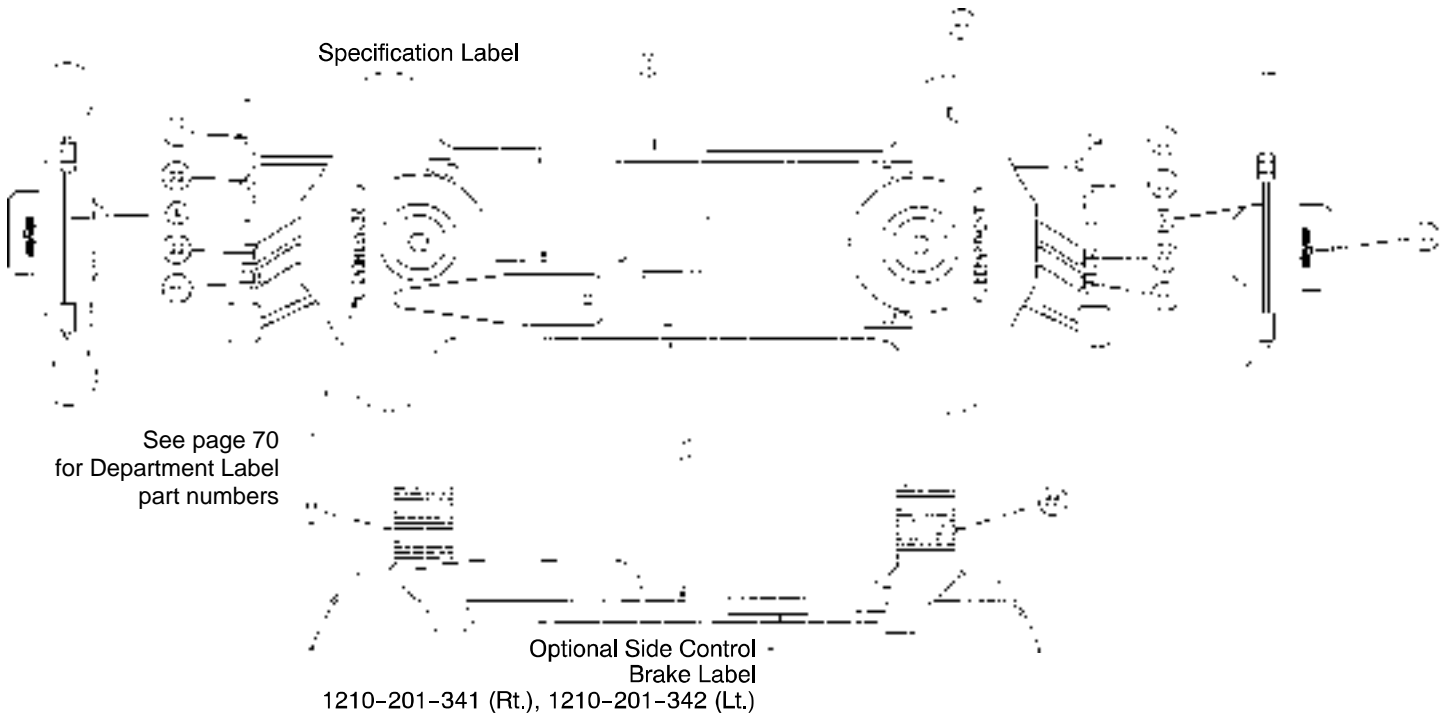
# Side Control Base Labeling Assembly



| Item | Part No.     | Part Name          | Qty. |
|------|--------------|--------------------|------|
| AA   | 1001-200-1   | Base Hood          | 1    |
| BB   | 715-1-134    | Bellows            | 2    |
| CC   | 1210-201-335 | Red Brake Label    | 2    |
| DD   | 1210-201-336 | Green Steer Label  | 2    |
| EE   | 946-201-60   | Stryker Logo Label | 4    |

| Color Set P/N          | Item A Control Label, Head End | Item B Control Label, Foot End | Item C Control Label, Right | Item D Control Label, Left | Litter Bumper Strip |
|------------------------|--------------------------------|--------------------------------|-----------------------------|----------------------------|---------------------|
| RED<br>1001-700-110    | 1001-700-113                   | 1001-700-114                   | 1001-700-211                | 1001-700-212               | 1010-700-15         |
| PURPLE<br>1001-700-120 | 1001-700-123                   | 1001-700-124                   | 1001-700-221                | 1001-700-222               | 1010-700-25         |
| GREEN<br>1001-700-130  | 1001-700-133                   | 1001-700-134                   | 1001-700-231                | 1001-700-232               | 1010-700-35         |
| GRAY<br>1001-700-140   | 1001-700-143                   | 1001-700-144                   | 1001-700-241                | 1001-700-242               | 1010-700-45         |
| TEAL<br>1001-700-150   | 1001-700-153                   | 1001-700-154                   | 1001-700-251                | 1001-700-252               | 1010-700-55         |
| PINK<br>1001-700-160   | 1001-700-163                   | 1001-700-164                   | 1001-700-261                | 1001-700-262               | 1010-700-65         |
| BLUE<br>1001-700-170   | 1001-700-173                   | 1001-700-174                   | 1001-700-271                | 1001-700-272               | 1010-700-75         |

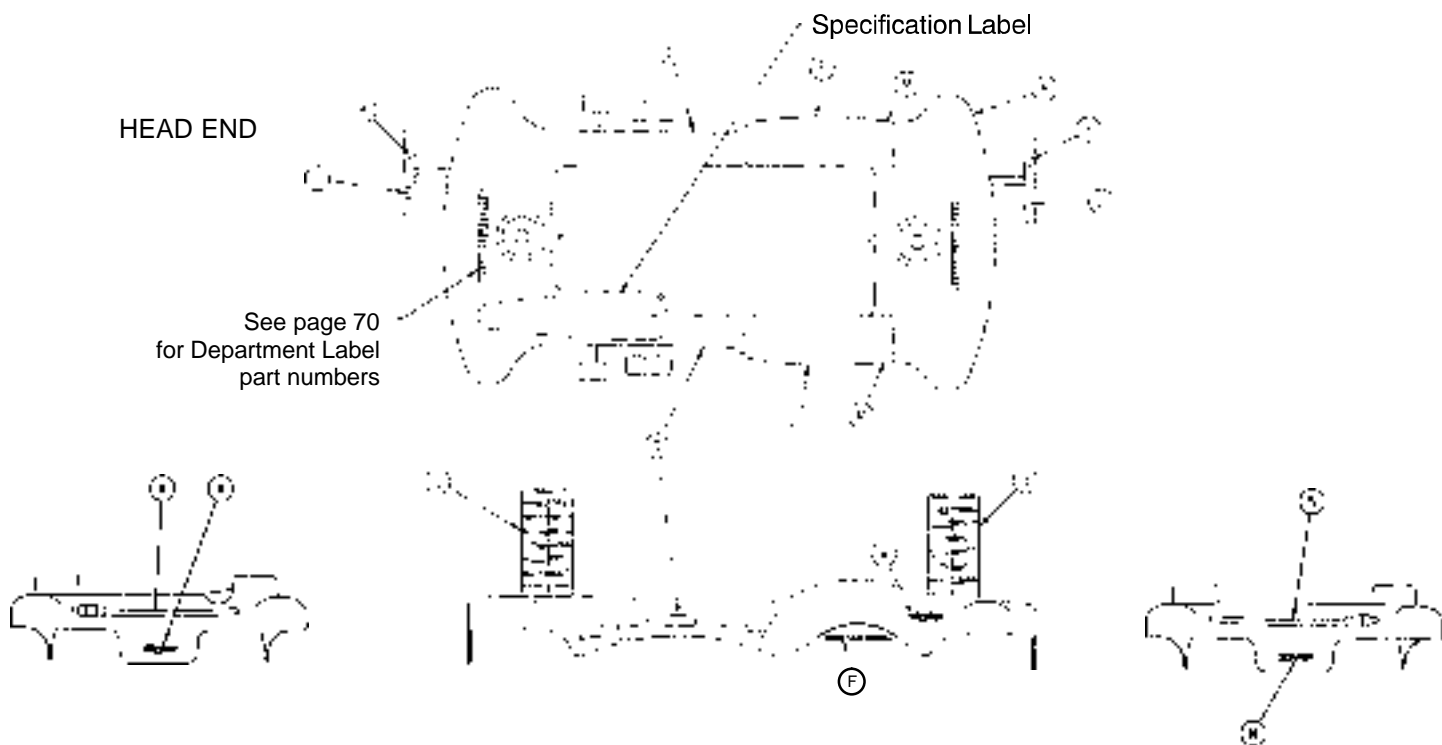
# End Control Base Labeling Assembly



| Item | Part No.     | Part Name                 | Qty. |
|------|--------------|---------------------------|------|
| AA   | 1001-200-1   | Hood                      | 1    |
| BB   | 715-1-134    | Bellows                   | 2    |
| CC   | 1210-201-335 | Brake Label               | 2    |
| DD   | 1210-201-336 | Steer Label               | 2    |
| EE   | 1210-201-337 | Head Down Label, Foot End | 1    |
| FF   | 1210-201-338 | Foot Down Label, Foot End | 1    |
| GG   | 1210-201-339 | Head Down Label, Head End | 1    |
| HH   | 1210-201-340 | Foot Down Label, Head End | 1    |
| JJ   | 946-201-6    | Stryker Logo Label        | 2    |

| Color Set P/N          | Item A Control Label, Head End | Item B Control Label, Foot End | Item C Side Control Label | Litter Bumper Strip |
|------------------------|--------------------------------|--------------------------------|---------------------------|---------------------|
| RED<br>1001-800-110    | 1001-800-111                   | 1001-800-112                   | 1001-800-13               | 1010-700-15         |
| PURPLE<br>1001-800-120 | 1001-800-121                   | 1001-800-122                   | 1001-800-23               | 1010-700-25         |
| GREEN<br>1001-800-130  | 1001-800-131                   | 1001-800-132                   | 1001-800-33               | 1010-700-35         |
| GRAY<br>1001-800-140   | 1001-800-141                   | 1001-800-142                   | 1001-800-43               | 1010-700-45         |
| TEAL<br>1001-800-150   | 1001-800-151                   | 1001-800-152                   | 1001-800-53               | 1010-700-55         |
| PINK<br>1001-800-160   | 1001-800-161                   | 1001-800-162                   | 1001-800-63               | 1010-700-65         |
| BLUE<br>1001-800-170   | 1001-800-171                   | 1001-800-172                   | 1001-800-73               | 1010-700-75         |

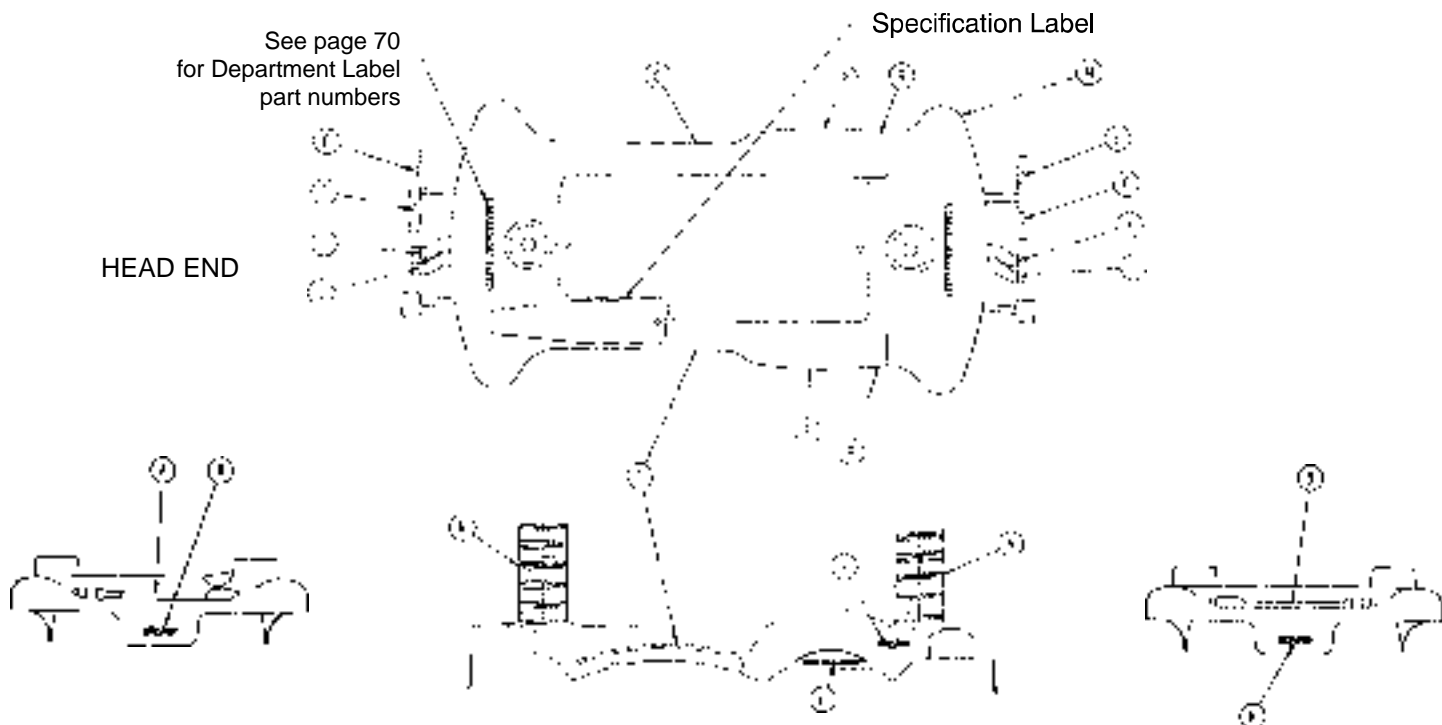
# Optional Big Wheel Side Control Base Labeling Ass'y



| Color Set P/N          | Item A Control Label, Head End | Item B Control Label, Foot End | Item C Control Label, Right | Item D Control Label, Left | Litter Bumper Strip |
|------------------------|--------------------------------|--------------------------------|-----------------------------|----------------------------|---------------------|
| RED<br>1001-700-315    | 1210-800-113                   | 1210-850-116                   | 1210-800-114                | 1210-800-115               | 1010-700-15         |
| PURPLE<br>1001-700-325 | 1210-800-123                   | 1210-850-126                   | 1210-800-124                | 1210-800-125               | 1010-700-25         |
| GREEN<br>1001-700-335  | 1210-800-133                   | 1210-850-136                   | 1210-800-134                | 1210-800-135               | 1010-700-35         |
| GRAY<br>1001-700-345   | 1210-800-143                   | 1210-850-146                   | 1210-800-144                | 1210-800-145               | 1010-700-45         |
| TEAL<br>1001-700-355   | 1210-800-153                   | 1210-850-156                   | 1210-800-154                | 1210-800-155               | 1010-700-55         |
| PINK<br>1001-700-365   | 1210-800-163                   | 1210-850-166                   | 1210-800-164                | 1210-800-165               | 1010-700-65         |
| BLUE<br>1001-700-375   | 1210-800-173                   | 1210-850-176                   | 1210-800-174                | 1210-800-175               | 1010-700-75         |

| Item | Part No.     | Part Name          | Qty. |
|------|--------------|--------------------|------|
| F    | 1210-201-651 | Big Wheel Label    | 2    |
| H    | 1210-245-25  | Base Hood          | 1    |
| J    | 715-1-134    | Bellows            | 2    |
| K    | 1210-201-335 | Red Brake Label    | 2    |
| L    | 1210-201-336 | Green Steer Label  | 2    |
| M    | 946-201-60   | Stryker Logo Label | 2    |

# Optional Big Wheel End Control Base Labeling Ass'y



| Color Set P/N          | Item A Control Label, Head End | Item B Control Label, Foot End | Item C Side Control Label | Litter Bumper Strip |
|------------------------|--------------------------------|--------------------------------|---------------------------|---------------------|
| RED<br>1001-800-315    | 1210-800-117                   | 1210-850-115                   | 1210-850-113              | 1010-700-15         |
| PURPLE<br>1001-800-325 | 1210-800-127                   | 1210-850-125                   | 1210-850-123              | 1010-700-25         |
| GREEN<br>1001-800-335  | 1210-800-137                   | 1210-850-135                   | 1210-850-133              | 1010-700-35         |
| GRAY<br>1001-800-345   | 1210-800-147                   | 1210-850-145                   | 1210-850-143              | 1010-700-45         |
| TEAL<br>1001-800-355   | 1210-800-157                   | 1210-850-155                   | 1210-850-153              | 1010-700-55         |
| PINK<br>1001-800-365   | 1210-800-167                   | 1210-850-165                   | 1210-850-163              | 1010-700-65         |
| BLUE<br>1001-800-375   | 1210-800-177                   | 1210-850-175                   | 1210-850-173              | 1010-700-75         |

| Item | Part No.     | Part Name                 | Qty. |
|------|--------------|---------------------------|------|
| E    | 1210-201-335 | Brake Label               | 2    |
| F    | 1210-201-336 | Steer Label               | 2    |
| H    | 1210-201-339 | Head Down Label, Head End | 1    |
| J    | 1210-201-340 | Foot Down Label, Head End | 1    |
| K    | 1210-201-337 | Head Down Label, Foot End | 1    |
| L    | 1210-201-338 | Foot Down Label, Foot End | 1    |
| M    | 1210-245-25  | Hood                      | 1    |
| N    | 715-1-134    | Bellows                   | 2    |
| P    | 1210-201-651 | Big Wheel Label           | 2    |
| R    | 946-201-60   | Stryker Logo Label        | 4    |

# Department Labels

---

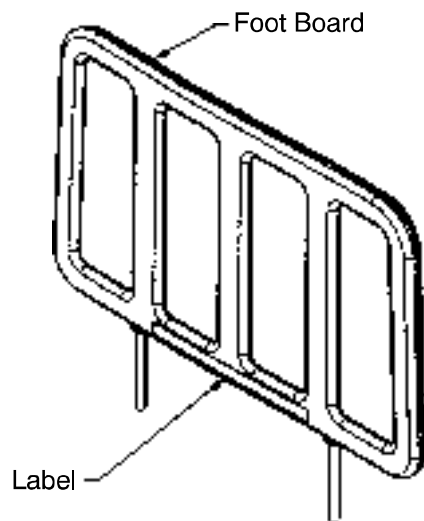
## BASE HOOD DEPARTMENT LABELS

| Department         | Label Part Number |
|--------------------|-------------------|
| Emergency          | 1010-900-215      |
| PACU               | 1010-900-220      |
| Transport          | 1010-900-225      |
| Surgery            | 1010-900-230      |
| Extended Stay      | 1010-900-235      |
| Maternity          | 1010-900-240      |
| Endoscopy          | 1010-900-245      |
| Radiology          | 1010-900-250      |
| Nuclear Medicine   | 1010-900-255      |
| Ambulatory Surgery | 1010-900-260      |
| G.I. Lab           | 1010-900-265      |
| Cath. Lab          | 1010-900-270      |
| Same Day Surgery   | 1010-900-275      |
| Cardio.            | 1010-900-280      |
| Ultrasound         | 1010-900-285      |

### NOTE

All base hood department labels are quantity of two.

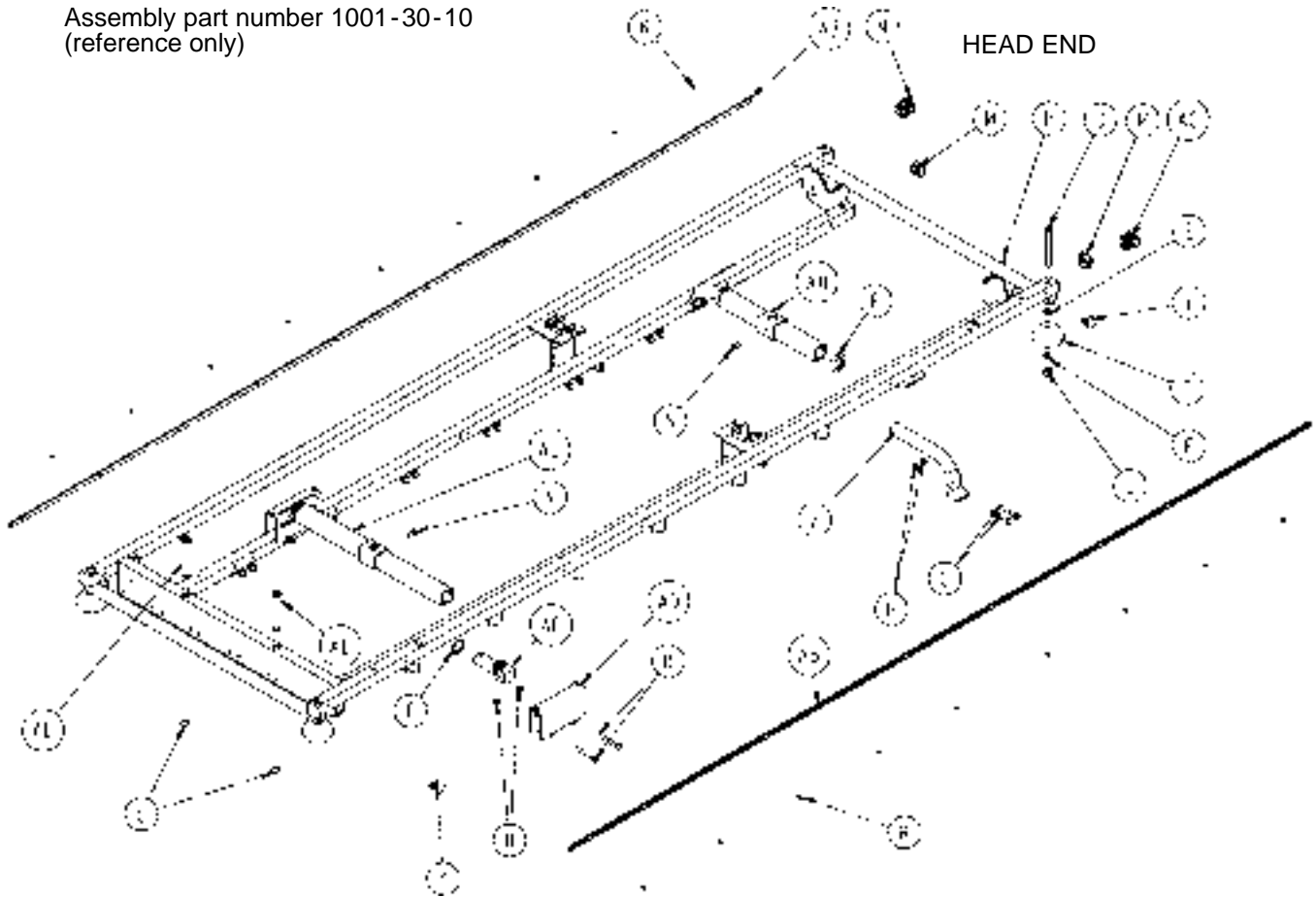
## FOOT BOARD DEPARTMENT LABELS



| Department         | Label Part No. |
|--------------------|----------------|
| Demo Stryker       | 1010-900-186   |
| Ophthalmology      | 1010-900-187   |
| Outpatient Surgery | 1010-900-188   |
| Recovery           | 1010-900-189   |
| Trauma             | 1010-900-190   |
| Urgence            | 1010-900-191   |
| Special (Blank)    | 1010-900-192   |

# 1001 Litter Assembly, Fold to Head Siderails

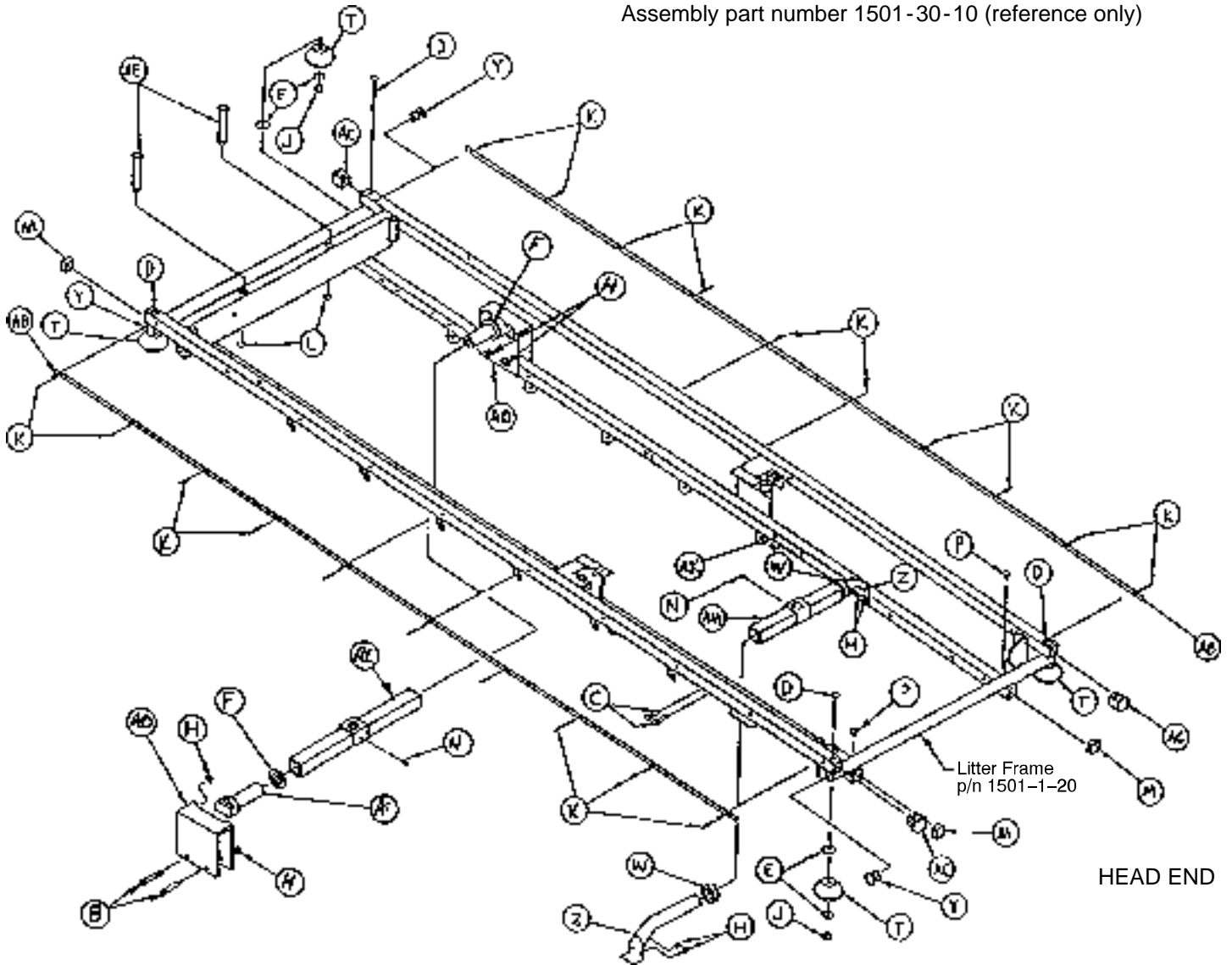
Assembly part number 1001-30-10  
(reference only)



| Item | Part No.  | Part Name          | Qty. | Item | Part No.    | Part Name             | Qty. |
|------|-----------|--------------------|------|------|-------------|-----------------------|------|
| B    | 3-358     | Hex Hd. Cap Screw  | 4    | T    | 926-400-142 | Bumper Wheel          | 4    |
| C    | 3-359     | Hex Hd. Cap Screw  | 4    | W    | 938-1-401   | Collar                | 2    |
| D    | 4-181     | But. Hd. Cap Screw | 4    | Y    | 1001-1-36   | Hole Plug             | 4    |
| E    | 14-21     | Washer             | 8    | Z    | 1001-1-37   | Jack Supt. Tube, Hd.  | 2    |
| F    | 11-360    | Plastic Spacer     | 2    | AB   | 1001-26-34  | Bumper Channel        | 2    |
| H    | 16-118    | Fiberlock Nut      | 8    | AC   | 1001-30-29  | End Plug              | 4    |
| J    | 16-117    | Nylock Nut         | 4    | AD   | 1001-201-30 | Support Stamping      | 2    |
| K    | 25-38     | Pop Rivet          | 20   | AE   | 1001-40-12  | Foot Board Receptacle | 2    |
| L    | 28-72     | Retaining Ring     | 2    | AF   | 1001-201-29 | Plastic Insert        | 2    |
| M    | 37-10     | Hole Plug          | 4    | AH   | 1010-32-85  | Support Tube Ass'y    | 1    |
| N    | 46-1      | Set Screw          | 2    | AK   | 1210-800-8  | Patent Label          | 1    |
| P    | 721-31-65 | Hole Plug          | 2    | AL   | 1001-201-31 | Support Tube Ass'y    | 1    |

# 1501 Litter Assembly, Fold to Head Siderails

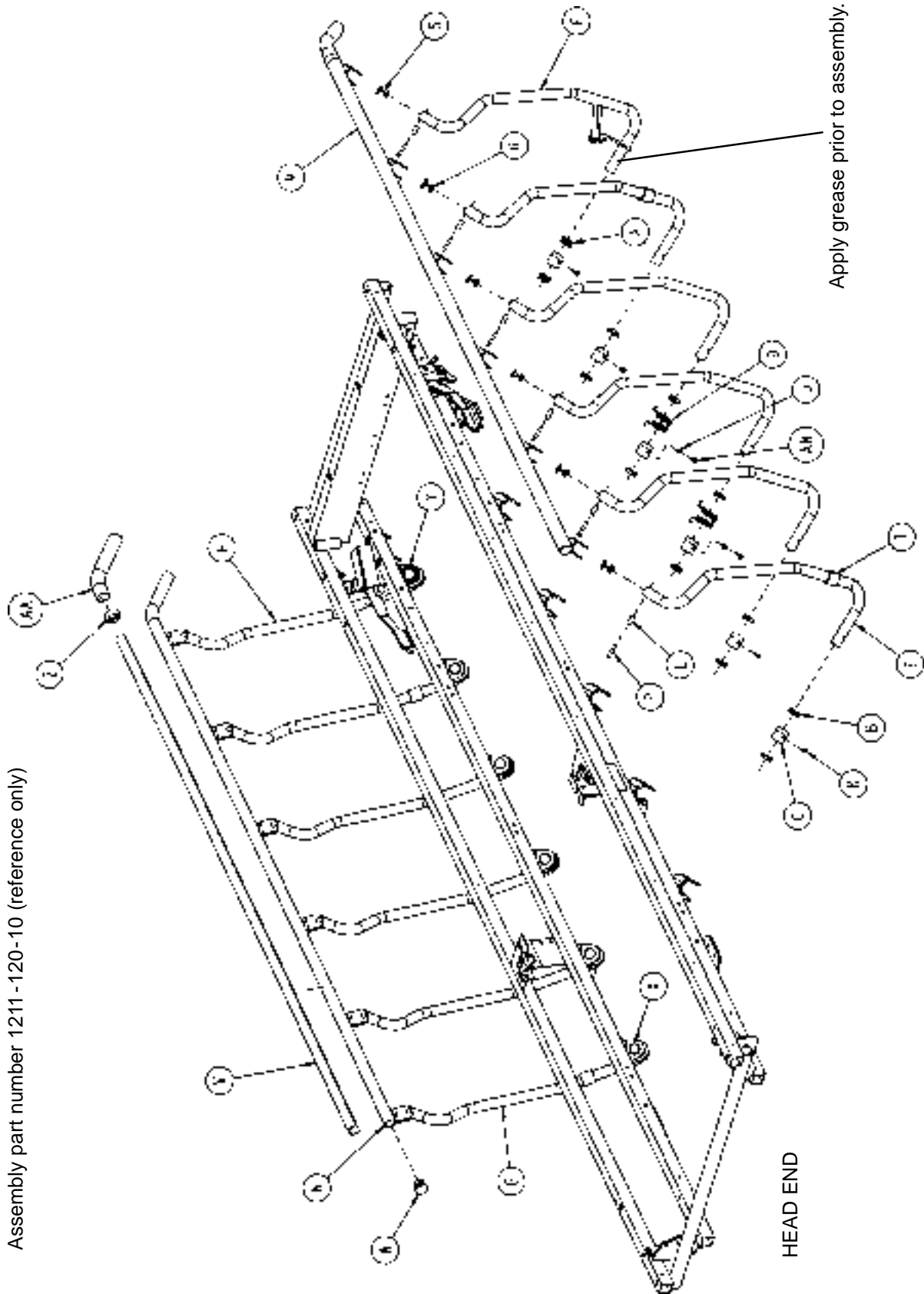
Assembly part number 1501-30-10 (reference only)



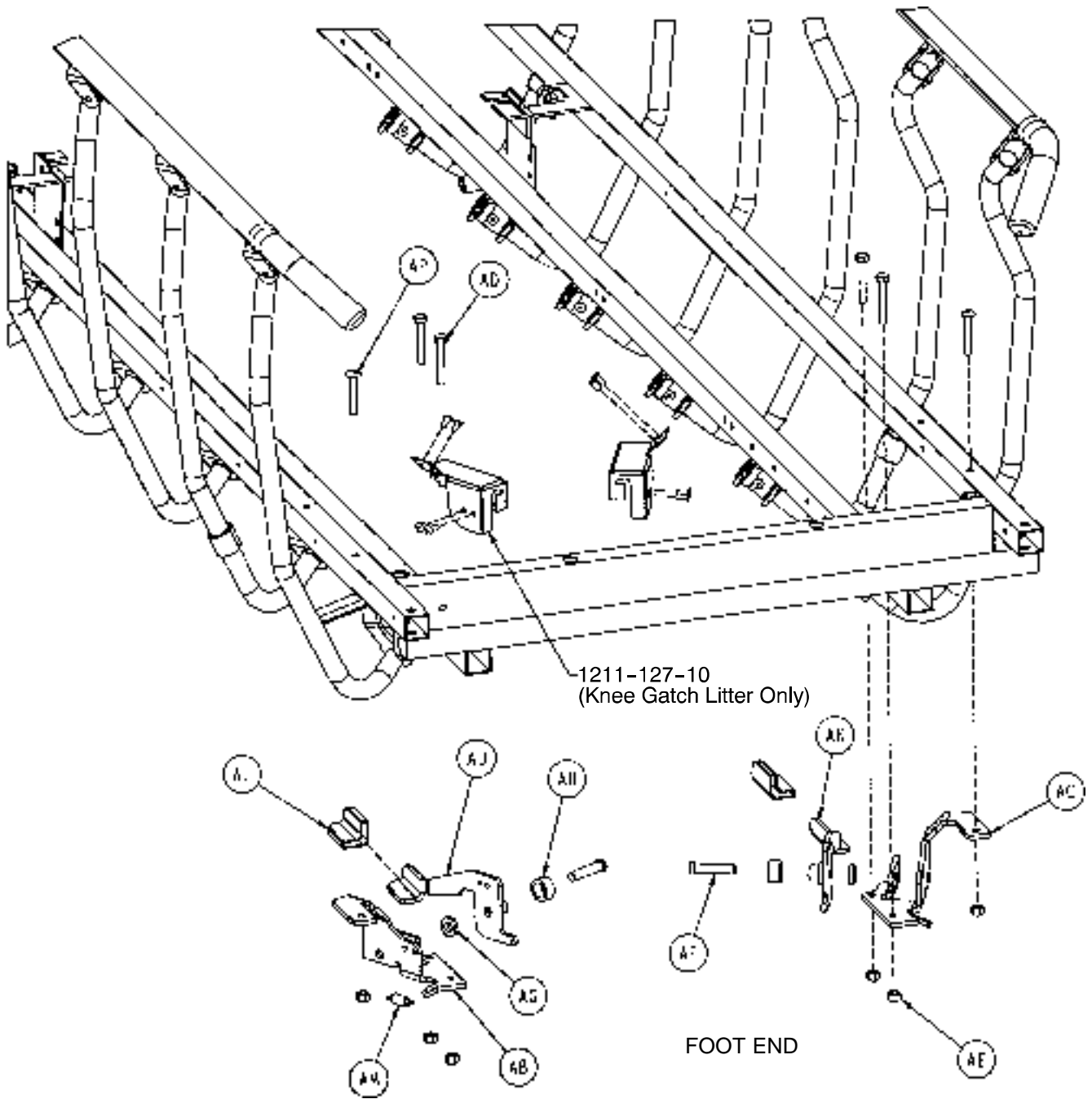
| Item | Part No.  | Part Name          | Qty. | Item | Part No.    | Part Name             | Qty. |
|------|-----------|--------------------|------|------|-------------|-----------------------|------|
| B    | 3-358     | Hex Hd. Cap Screw  | 4    | T    | 926-400-142 | Bumper Wheel          | 4    |
| C    | 3-359     | Hex Hd. Cap Screw  | 4    | W    | 938-1-401   | Collar                | 2    |
| D    | 4-181     | But. Hd. Cap Screw | 4    | Y    | 1001-1-36   | Hole Plug             | 4    |
| E    | 14-21     | Washer             | 12   | Z    | 1001-1-37   | Jack Supt. Tube, Hd.  | 2    |
| F    | 11-360    | Plastic Spacer     | 2    | AB   | 1001-26-34  | Bumper Channel        | 2    |
| H    | 16-118    | Fiberlock Nut      | 8    | AC   | 1001-30-29  | End Plug              | 4    |
| J    | 16-117    | Nylock Nut         | 4    | AD   | 1001-201-30 | Support Stamping      | 2    |
| K    | 25-40     | Pop Rivet          | 20   | AE   | 1001-40-12  | Foot Board Receptacle | 2    |
| L    | 28-72     | Retaining Ring     | 2    | AF   | 1001-201-29 | Plastic Insert        | 2    |
| M    | 37-10     | Hole Plug          | 4    | AK   | 1210-800-8  | Patent Label          | 1    |
| N    | 46-3      | Set Screw          | 2    | AL   | 1501-201-31 | Support Tube Ass'y    | 1    |
| P    | 721-31-65 | Hole Plug          | 2    | AM   | 1510-32-20  | Support Tube Ass'y    | 1    |

# Siderail to Litter Assembly, Fold-to-Head

Assembly part number 1211 -120-10 (reference only)



# Siderail to Litter Assembly, Fold-to-Head



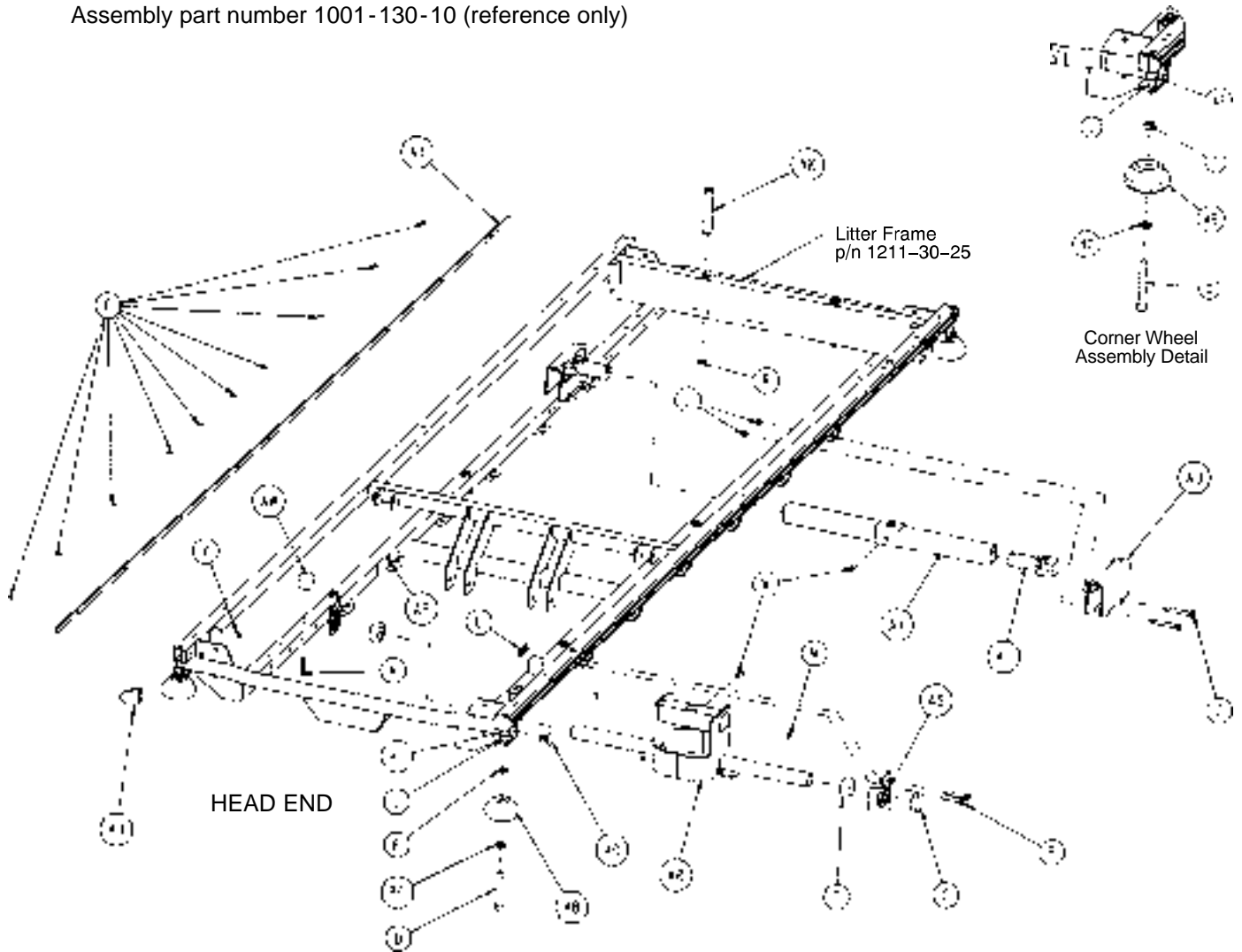
# Siderail to Litter Assembly, Fold-to-Head

---

| Item | Part No.     | Part Name                  | Qty. |
|------|--------------|----------------------------|------|
| A    | 1001-226-116 | Pivot Bearing              | 4    |
| B    | 1001-226-16  | Pivot Bearing              | 20   |
| C    | 1001-226-15  | Pivot Sleeve               | 12   |
| D    | 1001-226-17  | Siderail Spring            | 2    |
| E    | 1001-326-27  | Right Spindle              | 5    |
| F    | 1001-326-31  | Lock Spindle Weldment, Rt. | 1    |
| G    | 1001-326-28  | Left Spindle               | 5    |
| H    | 1001-326-33  | Lock Spindle Weldment, Lt. | 1    |
| J    | 1001-226-20  | Siderail Spring Spacer     | 2    |
| K    | 25-172       | Rivet                      | 8    |
| L    | 1010-226-82  | Top Rail Bearing           | 12   |
| M    | 1001-226-40  | Top Rail Weldment, Right   | 1    |
| N    | 1001-226-30  | Top Rail Weldment, Left    | 1    |
| P    | 25-61        | Semi-Tubular Rivet         | 12   |
| R    | 1001-226-101 | Plug Assembly              | 10   |
| S    | 1001-226-102 | Plug Assembly              | 2    |
| T    | 1001-226-19  | Rubber Stop                | 4    |
| V    | 1001-226-63  | Top Rail Cap               | 2    |
| W    | 1001-226-100 | End Cap Assembly           | 2    |
| X    | 37-215       | Dome Plug                  | 10   |
| Y    | 59-100       | Dome Plug                  | 2    |
| Z    | 1001-226-163 | Top Rail Retainer          | 2    |
| AA   | 1001-226-162 | Top Rail Handle            | 2    |
| AB   | 1001-226-46  | Latch Pivot, Right         | 1    |
| AC   | 1001-226-47  | Latch Pivot, Left          | 1    |
| AD   | 3-359        | But. Hd. Cap Screw         | 4    |
| AE   | 16-118       | Nylock Nut                 | 6    |
| AF   | 1001-226-142 | Latch Pin                  | 2    |
| AG   | 52-17        | Washer                     | 2    |
| AH   | 1001-226-45  | Latch Spacer               | 2    |
| AJ   | 1001-226-152 | Latch Plate Weldment, Rt.  | 1    |
| AK   | 1001-226-153 | Latch Plate Weldment, Lt.  | 1    |
| AL   | 1001-226-158 | Latch Cover                | 2    |
| AM   | 38-422       | Extension Spring           | 2    |
| AN   | 25-181       | Blind Rivet                | 2    |
| AP   | 7-70         | Machine Screw              | 2    |

# 1001 Litter Assembly, Fold to Foot Siderails

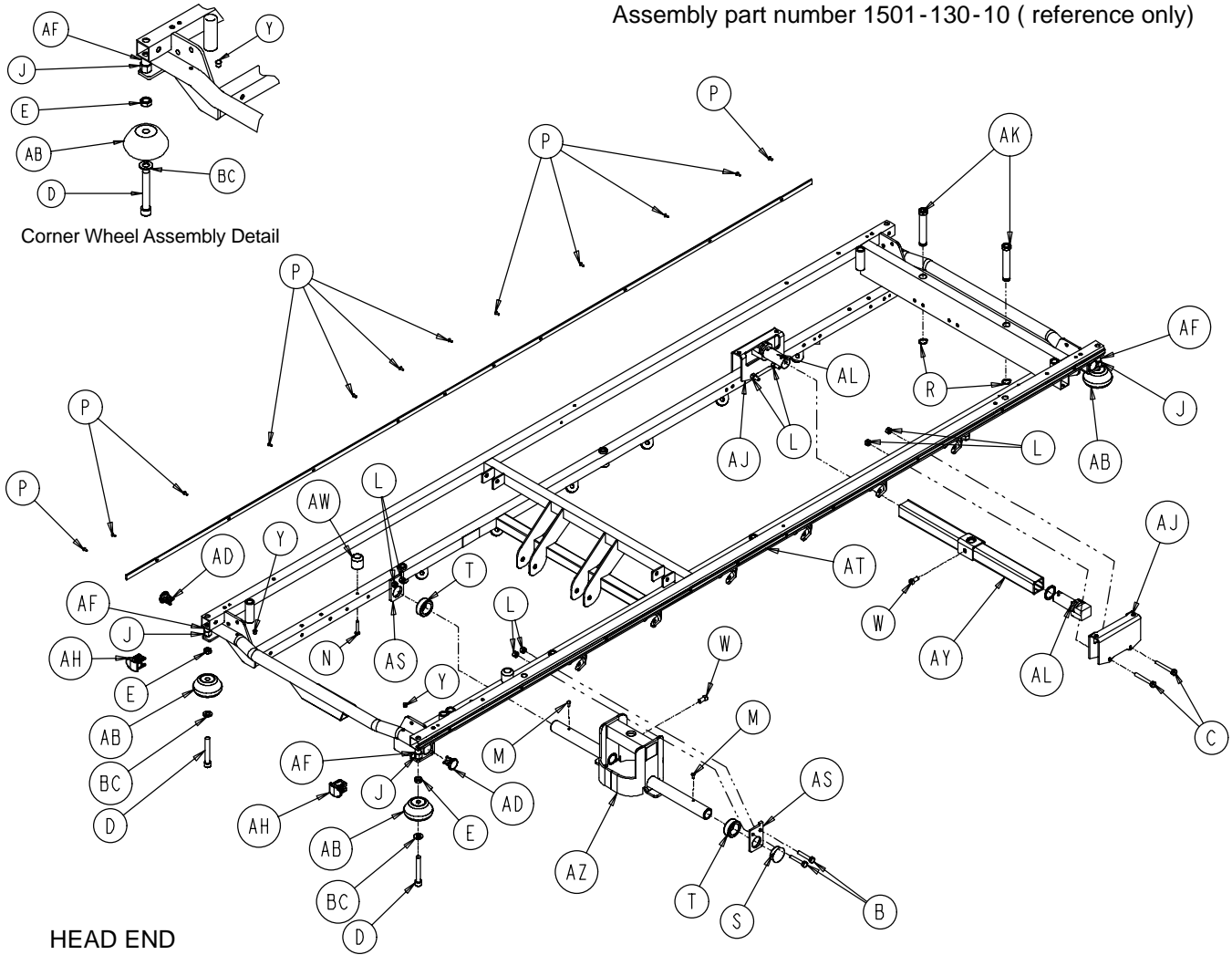
Assembly part number 1001-130-10 (reference only)



| Item | Part No. | Part Name          | Qty. | Item | Part No.    | Part Name             | Qty. |
|------|----------|--------------------|------|------|-------------|-----------------------|------|
| A    | 11-360   | Plastic Spacer     | 2    | Y    | 721-31-65   | Hole Plug             | 6    |
| B    | 3-355    | Hex Hd. Cap Screw  | 4    | AB   | 926-400-142 | Bumper Wheel          | 4    |
| C    | 3-358    | Hex Hd. Cap Screw  | 4    | AD   | 1001-1-36   | End Plug              | 4    |
| D    | 4-330    | Soc. Hd. Cap Screw | 4    | AF   | 1001-30-28  | Thread Sleeve         | 4    |
| E    | 15-27    | Jam Nut            | 4    | AH   | 1001-30-29  | End Plug              | 4    |
| F    | 16-116   | Nylock Nut         | 2    | AJ   | 1001-201-30 | Trend Support         | 2    |
| J    | 16-117   | Nylock Nut         | 4    | AK   | 1001-40-12  | Footboard Receptacle  | 2    |
| L    | 16-118   | Nylock Nut         | 8    | AL   | 1001-201-29 | Insert                | 2    |
| M    | 22-10    | Drive Screw        | 2    | AP   | 1210-800-8  | Patent Label          | 1    |
| N    | 23-283   | Self-Tapping Screw | 2    | AR   | 1211-30-7   | Jack Support Wldmt.   | 1    |
| P    | 25-40    | Pop Rivet          | 24   | AS   | 1211-30-18  | Jack Support Bracket  | 2    |
| R    | 28-72    | Retaining Ring     | 2    | AT   | 1001-30-44  | Bumper Channel        | 2    |
| S    | 37-30    | Hole Plug          | 2    | AW   | 1211-31-31  | Pneumatic Fowler Rest | 2    |
| T    | 42-7     | Collar             | 2    | AY   | 1001-201-31 | Support Tube Ass'y    | 1    |
| W    | 46-3     | Square Hd. Screw   | 2    | BC   | 14-21       | Nylon Washer          | 4    |

# 1501 Litter Assembly, Fold to Foot Siderails

Assembly part number 1501-130-10 (reference only)

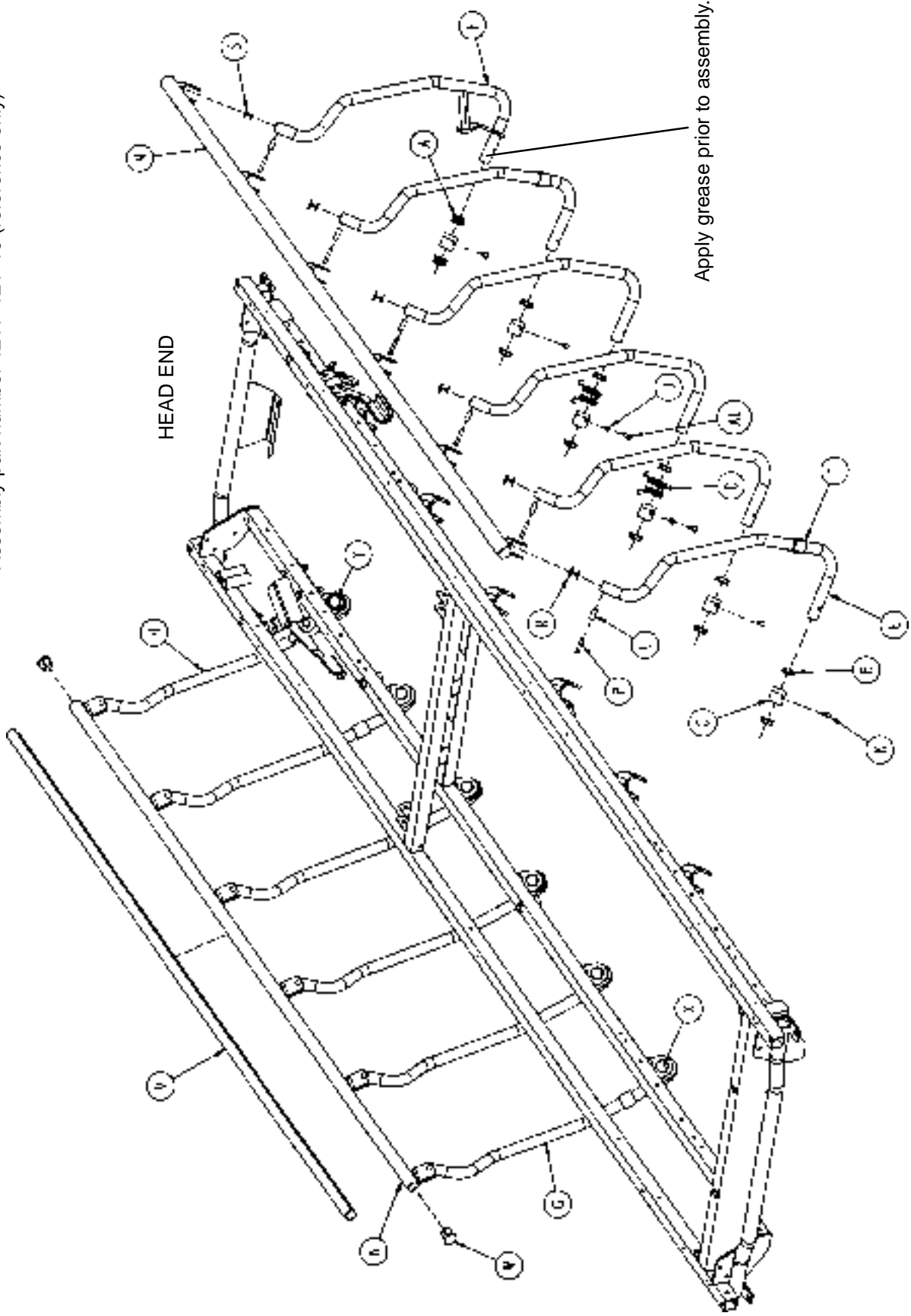


HEAD END

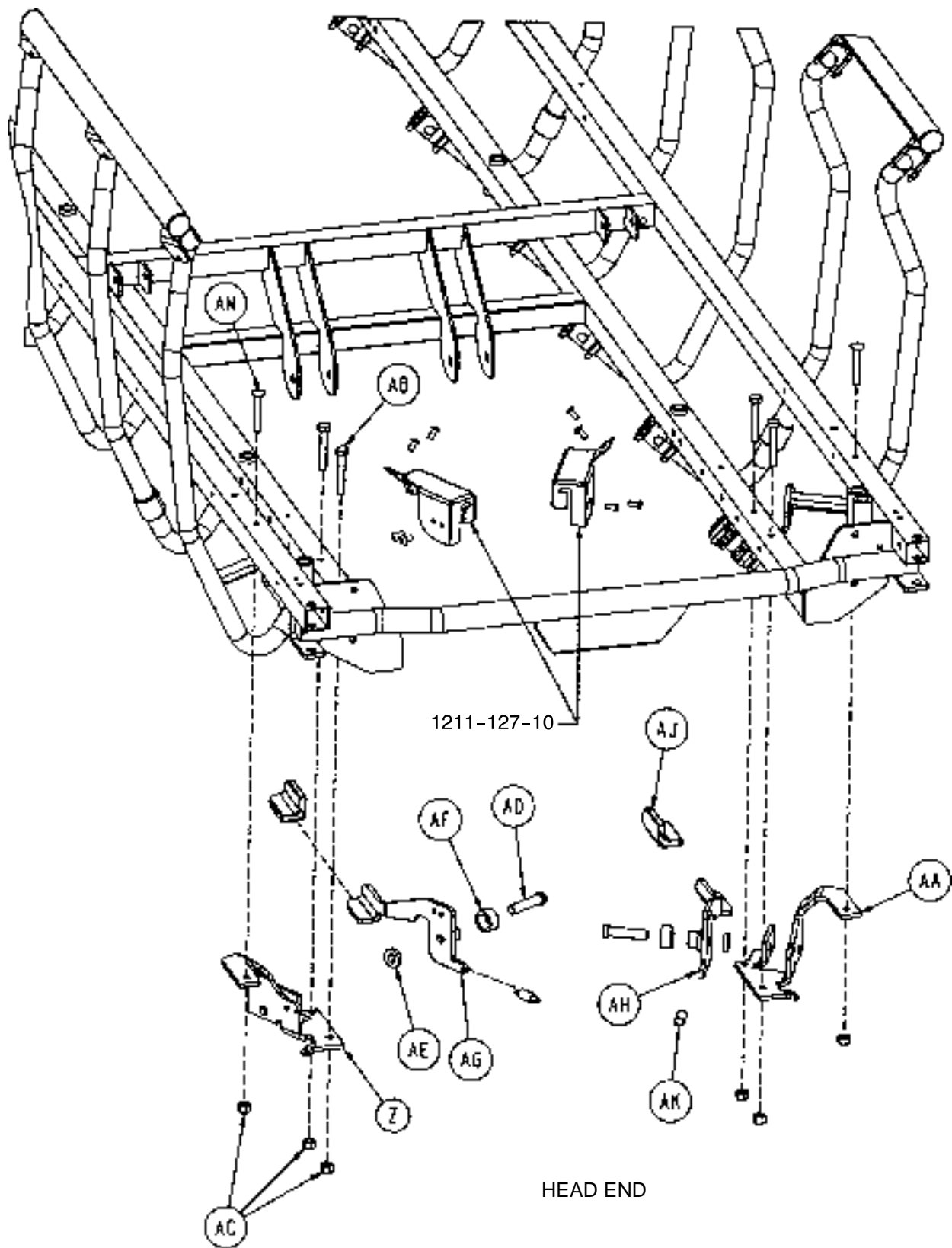
| Item | Part No.  | Part Name          | Qty. | Item | Part No.    | Part Name             | Qty. |
|------|-----------|--------------------|------|------|-------------|-----------------------|------|
| A    | 11-360    | Plastic Spacer     | 2    | AB   | 926-400-142 | Bumper Wheel          | 4    |
| B    | 3-355     | Hex Hd. Cap Screw  | 4    | AD   | 37-208      | End Plug              | 4    |
| C    | 3-359     | Hex Hd. Cap Screw  | 4    | AF   | 1001-30-28  | Thread Sleeve         | 4    |
| D    | 4-330     | Soc. Hd. Cap Screw | 4    | AH   | 1001-30-29  | End Plug              | 4    |
| E    | 15-27     | Jam Nut            | 4    | AJ   | 1001-201-30 | Trend Support         | 2    |
| J    | 16-117    | Nylock Nut         | 4    | AK   | 1001-40-12  | Footboard Receptacle  | 2    |
| L    | 16-118    | Nylock Nut         | 8    | AL   | 1010-201-29 | Insert                | 2    |
| M    | 22-10     | Drive Screw        | 2    | AP   | 1210-800-8  | Patent Label          | 1    |
| N    | 23-283    | Self-Tapping Screw | 2    | AS   | 1211-30-18  | Jack Support Bracket  | 2    |
| P    | 25-40     | Pop Rivet          | 24   | AT   | 1001-30-44  | Bumper Channel        | 2    |
| R    | 28-72     | Retaining Ring     | 2    | AW   | 1211-31-31  | Pneumatic Fowler Rest | 2    |
| S    | 37-30     | Hole Plug          | 2    | AY   | 1501-201-31 | Support Tube Ass'y    | 1    |
| T    | 42-7      | Collar             | 2    | AZ   | 1711-30-7   | Jack Support Wldmt.   | 1    |
| W    | 46-3      | Square Hd. Screw   | 2    | BA   | 37-35       | Hole Plug             | 4    |
| Y    | 721-31-65 | Hole Plug          | 6    | BC   | 14-21       | Washer                | 4    |

# Siderail to Litter Assembly, Fold-to-Foot

Assembly part number 1211-121-10 (reference only)



# Siderail to Litter Assembly, Fold-to-Foot

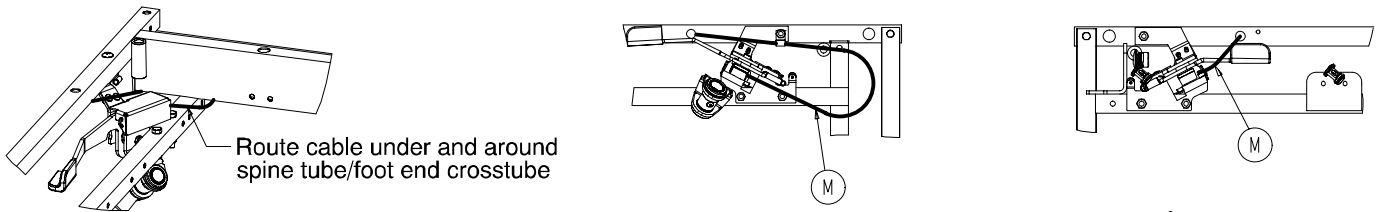


# Siderail to Litter Assembly, Fold-to-Foot

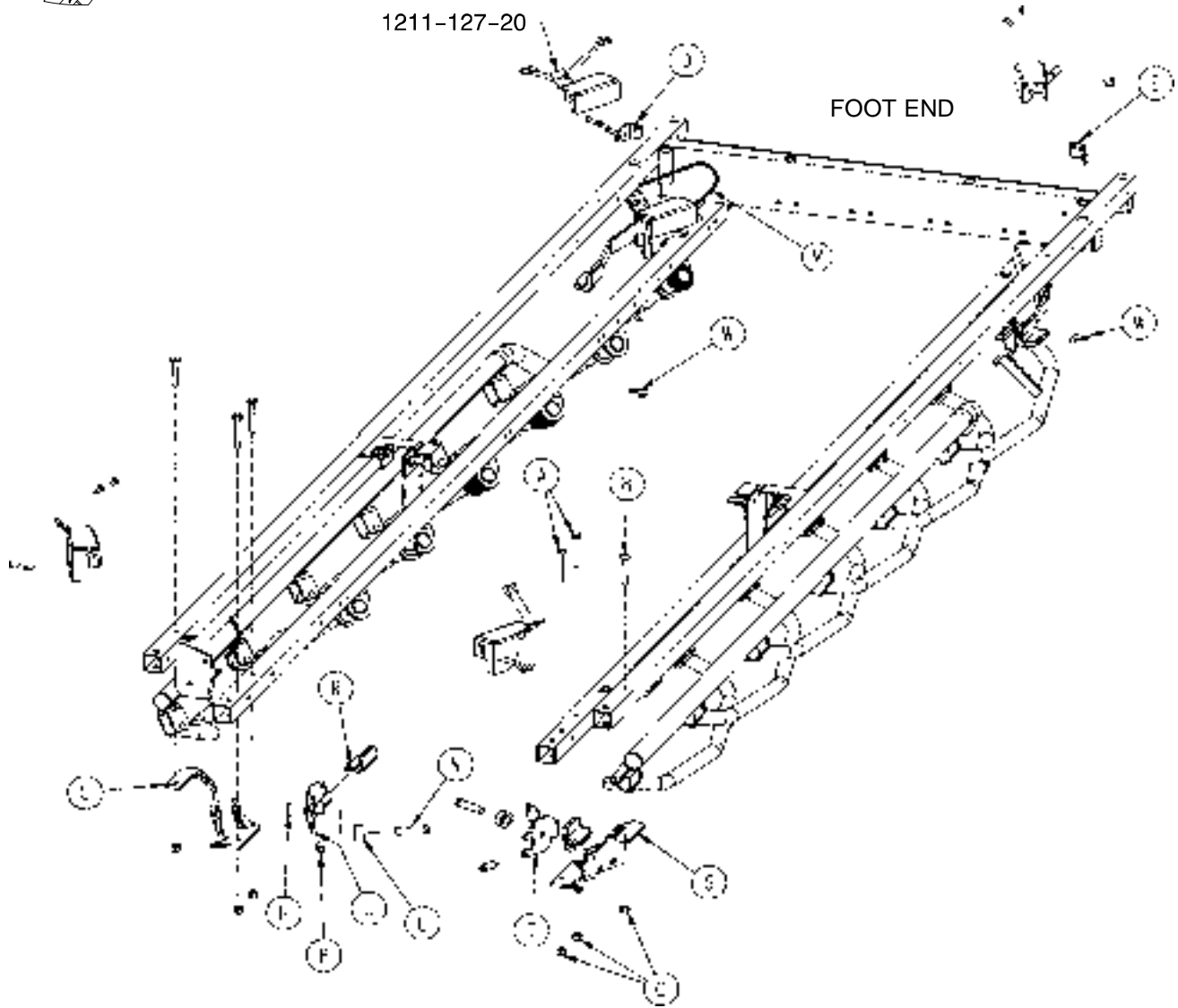
---

| Item | Part No.     | Part Name                   | Qty. |
|------|--------------|-----------------------------|------|
| A    | 1001-226-116 | Pivot Bearing               | 4    |
| B    | 1001-226-16  | Pivot Bearing               | 20   |
| C    | 1001-226-15  | Pivot Sleeve                | 12   |
| D    | 1001-226-17  | Siderail Spring             | 4    |
| E    | 1001-326-27  | Right Spindle               | 5    |
| F    | 1001-326-31  | Lock Spindle Weldment, Rt.  | 1    |
| G    | 1001-326-28  | Left Spindle                | 5    |
| H    | 1001-326-33  | Lock Spindle Weldment, Lt.  | 1    |
| J    | 1001-226-20  | Siderail Spring Spacer      | 4    |
| K    | 25-172       | Semi-Tubular Rivet          | 8    |
| L    | 1010-226-82  | Top Rail Bearing            | 12   |
| M    | 1001-226-140 | Top Rail Weldment, Rt., FTF | 1    |
| N    | 1001-226-130 | Top Rail Weldment, Lt., FTF | 1    |
| P    | 25-61        | Semi-Tubular Rivet          | 12   |
| R    | 1001-226-101 | Plug Assembly               | 10   |
| S    | 1001-226-102 | Plug Assembly               | 2    |
| T    | 1001-226-19  | Rubber Stop                 | 4    |
| V    | 1001-226-63  | Top Rail Cap                | 2    |
| W    | 1001-226-100 | End Cap Assembly            | 4    |
| X    | 37-215       | Dome Plug                   | 10   |
| Y    | 59-100       | Dome Plug                   | 2    |
| Z    | 1001-226-46  | Right Latch Pivot           | 1    |
| AA   | 1001-226-47  | Left Latch Pivot            | 1    |
| AB   | 3-359        | But. Hd. Cap Screw          | 4    |
| AC   | 16-118       | Nylock Nut                  | 6    |
| AD   | 1001-226-142 | Latch Pin                   | 2    |
| AE   | 52-17        | Washer                      | 2    |
| AF   | 1001-226-45  | Latch Spacer                | 2    |
| AG   | 1001-226-152 | Latch Plate Weldment, Rt.   | 1    |
| AH   | 1001-226-153 | Latch Plate Weldment, Lt.   | 1    |
| AJ   | 1001-226-158 | Latch Cover                 | 2    |
| AK   | 38-422       | Extension Spring            | 2    |
| AL   | 25-181       | Rivet                       | 4    |
| AM   | 7-70         | Machine Screw               | 2    |

# 1211-127 Optional Dual Siderail Latch Assembly



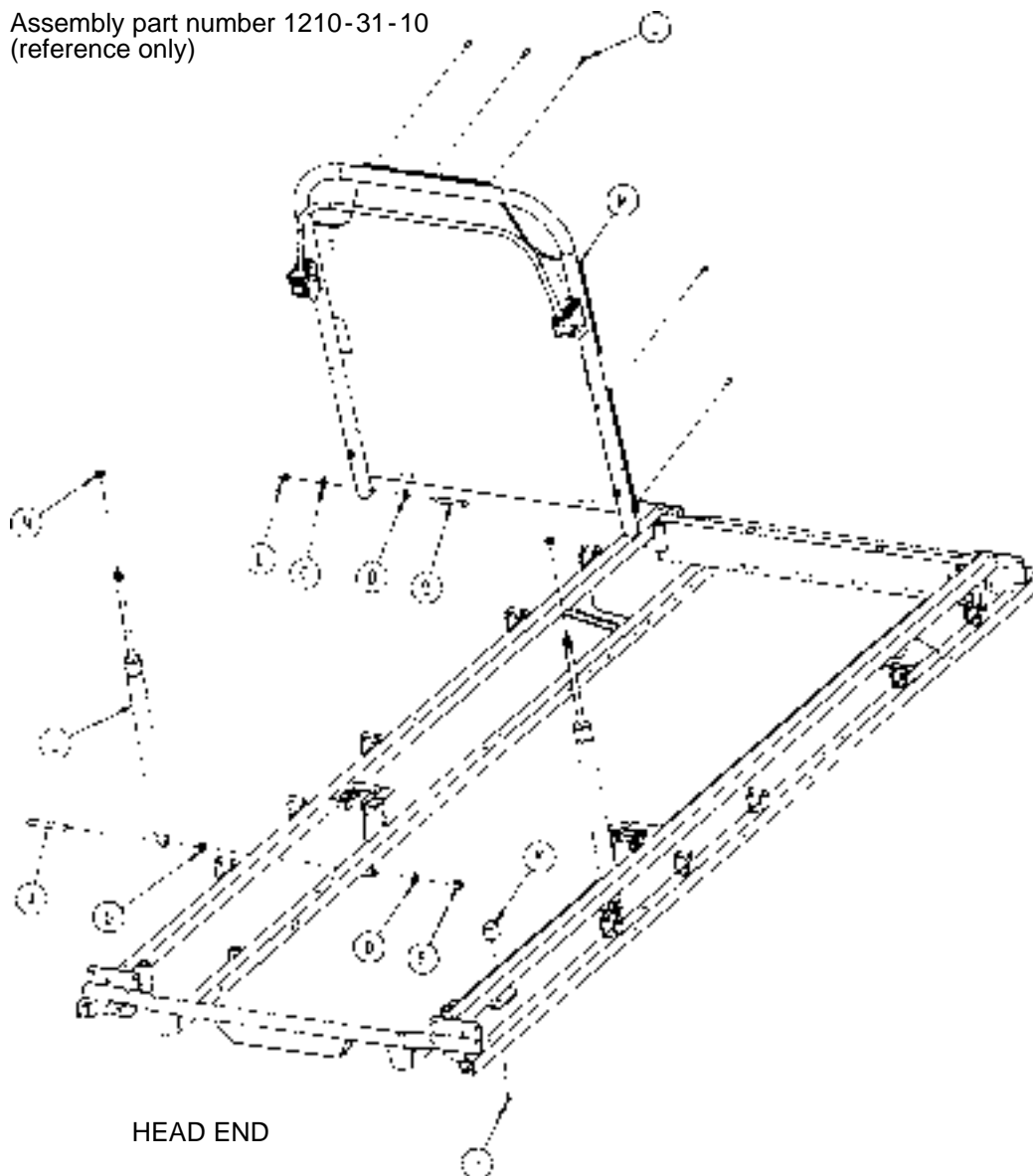
1211-127-20



| Item | Part No.     | Part Name                | Qty. | Item | Part No.     | Part Name               | Qty. |
|------|--------------|--------------------------|------|------|--------------|-------------------------|------|
| A    | 3-359        | Hex Hd. Cap Screw        | 4    | L    | 1001-226-45  | Latch Spacer            | 2    |
| B    | 7-70         | Truss Hd. Mach. Screw    | 2    | M    | 1001-226-161 | Dual Latch Cable Ass'y  | 2    |
| C    | 16-118       | Nylock Nut               | 6    | N    | 1001-226-142 | Latch Pin               | 2    |
| D    | 1001-226-147 | Dual Latch Pivot         | 1    | P    | 38-222       | Extension Spring        | 2    |
| E    | 1001-226-170 | Dual Latch Pivot         | 1    | R    | 1001-226-158 | Latch Cover             | 2    |
| G    | 1001-226-46  | Latch Pivot, Right       | 1    | S    | 1001-226-47  | Latch Pivot, Left       | 1    |
| H    | 52-17        | Nylon Washer             | 2    | T    | 1001-226-157 | Dual Latch Wldmt., Left | 1    |
| J    | 1001-226-156 | Dual Latch Wldmt., Right | 1    | W    | 59-767       | Cable Clamp             | 2    |

# 1001 Pneumatic Fowler Assembly, Fold-to-Head

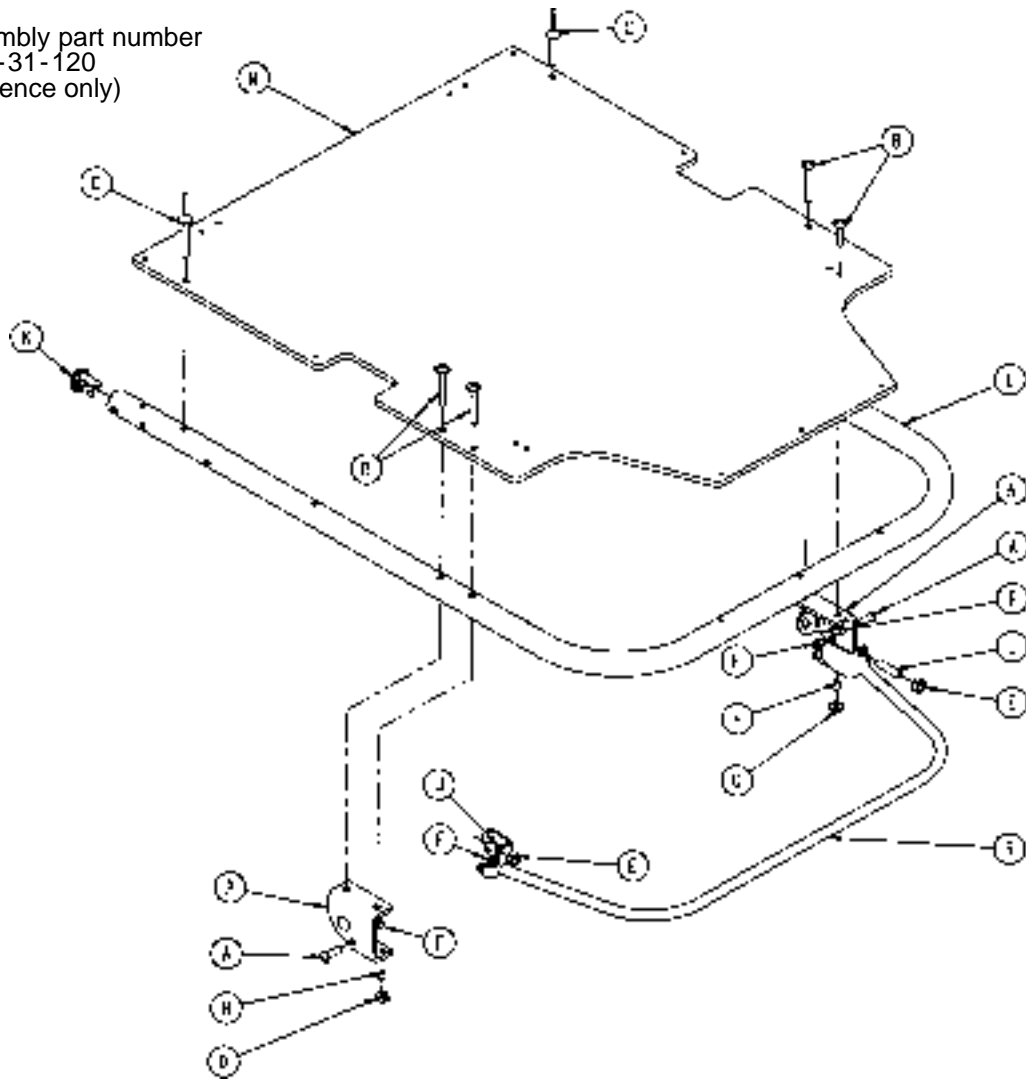
Assembly part number 1210-31-10  
(reference only)



| Item | Part No.   | Part Name              | Qty. |
|------|------------|------------------------|------|
| A    | 4-182      | But. Hd. Cap Screw     | 2    |
| B    | 4-104      | But. Hd. Cap Screw     | 2    |
| C    | 11-179     | Nylon Washer           | 2    |
| D    | 14-21      | Nylon Washer           | 6    |
| E    | 16-116     | Nylock Hex Nut         | 2    |
| F    | 16-117     | Nylock Hex Nut         | 2    |
| H    | 23-256     | Self-Tapping Screw     | 2    |
| J    | 25-133     | Pop Rivet              | 7    |
| K    | 1211-31-31 | Pneumatic Fowler Rest  | 2    |
| L    | 1010-31-78 | Gas Cylinder           | 2    |
| M    | (page 83)  | Pneumatic Fowler Ass'y | 1    |
| N    | 15-60      | Hex Jam Nut            | 2    |

# 1001 Pneumatic Fowler Assembly, Fiberresin, Fold-to-Head

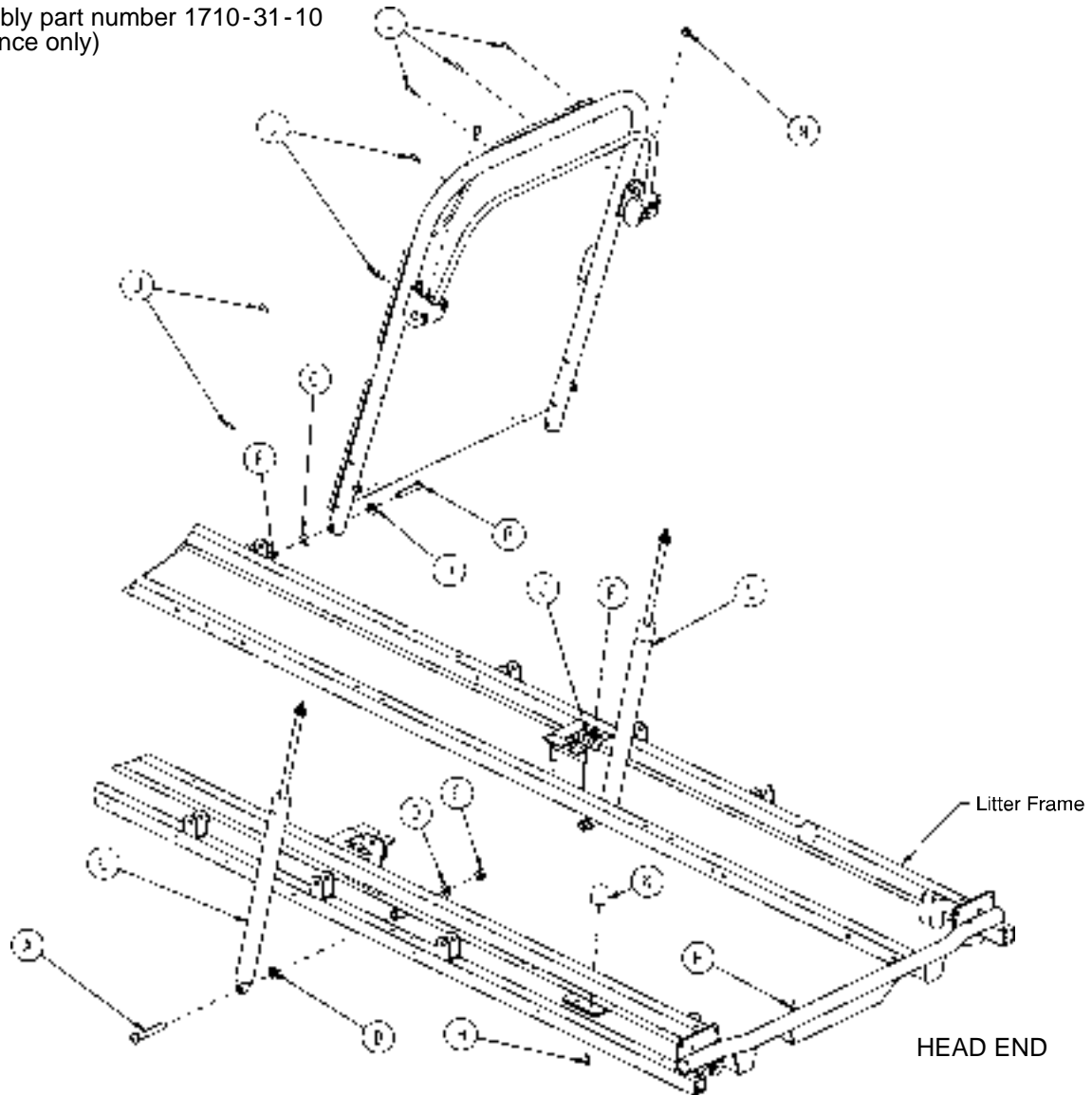
Assembly part number  
1210-31-120  
(reference only)



| Item | Part No.    | Part Name                   | Qty. |
|------|-------------|-----------------------------|------|
| A    | 4-161       | Hex Soc. But. Hd. Cap Screw | 2    |
| B    | 7-20        | Truss Hd. Mach. Screw       | 4    |
| C    | 25-124      | Pop Rivet                   | 2    |
| D    | 15-37       | Jam Nut                     | 2    |
| E    | 15-50       | Hex Nut                     | 2    |
| F    | 16-28       | Nylock Nut                  | 6    |
| H    | 21-125      | Set Screw                   | 2    |
| J    | 21-126      | Set Screw                   | 2    |
| K    | 1001-1-36   | Hole Plug                   | 2    |
| L    | 1001-31-13  | Fowler Tube                 | 1    |
| M    | 1010-231-12 | Fowler Skin (Fiberresin)    | 1    |
| N    | (page 86)   | Outer Housing Ass'y, Right  | 1    |
| P    | (page 86)   | Outer Housing Ass'y, Left   | 1    |
| R    | 1210-31-118 | Trip Bar Assembly           | 1    |

# 1501 Pneumatic Fowler Assembly, Fold-to-Head

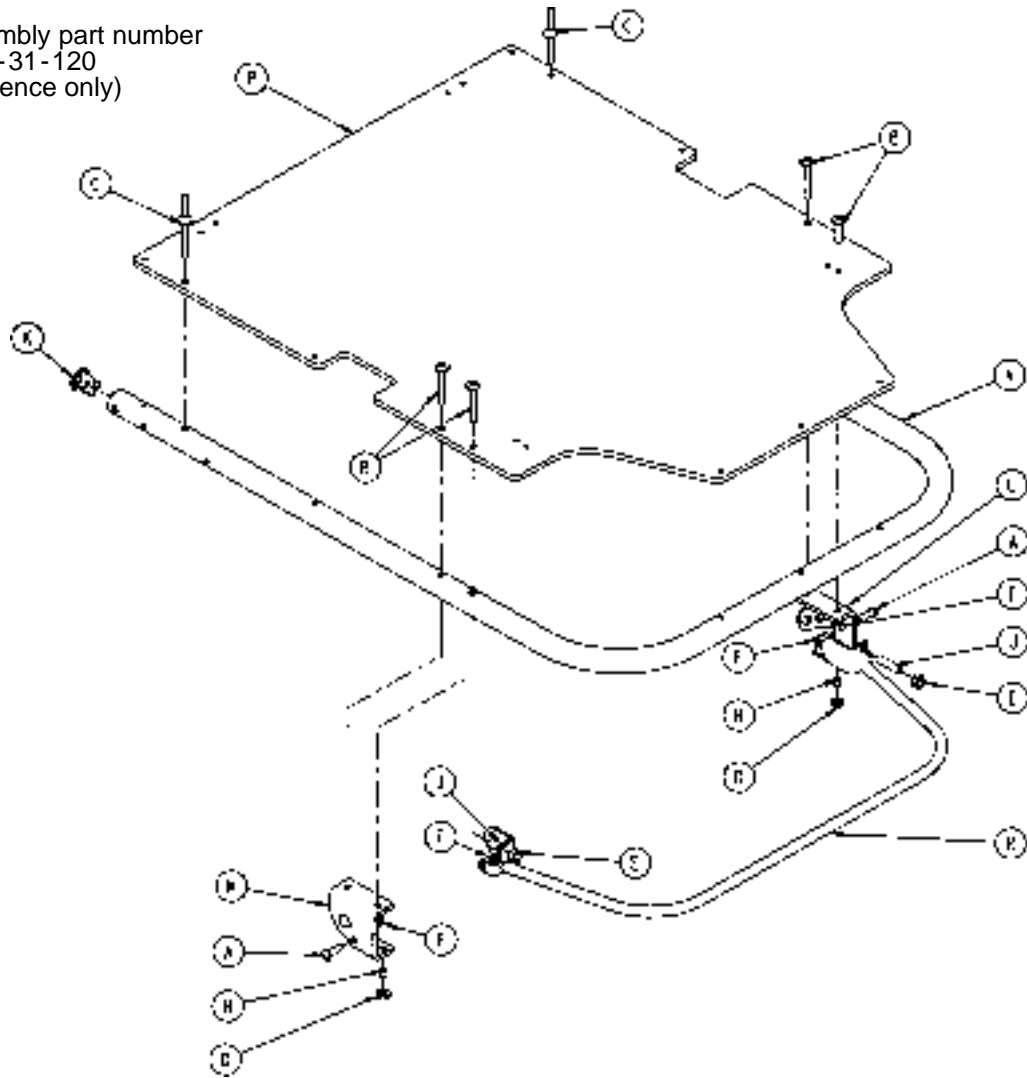
Assembly part number 1710-31-10  
(reference only)



| Item | Part No.   | Part Name              | Qty. |
|------|------------|------------------------|------|
| A    | 4-182      | But. Hd. Cap Screw     | 2    |
| B    | 4-104      | But. Hd. Cap Screw     | 2    |
| C    | 11-179     | Nylon Washer           | 4    |
| D    | 14-21      | Nylon Washer           | 6    |
| E    | 16-116     | Nylock Hex Nut         | 2    |
| F    | 16-117     | Nylock Hex Nut         | 2    |
| H    | 23-256     | Self-Tapping Screw     | 2    |
| J    | 25-133     | Pop Rivet              | 7    |
| K    | 1211-31-31 | Pneumatic Fowler Rest  | 2    |
| L    | 1010-31-78 | Gas Cylinder           | 2    |
| M    | (page 85)  | Pneumatic Fowler Ass'y | 1    |
| N    | 15-60      | Hex Nut                | 2    |

# 1501 Pneumatic Fowler Assembly, Fiberresin, Fold-to-Head

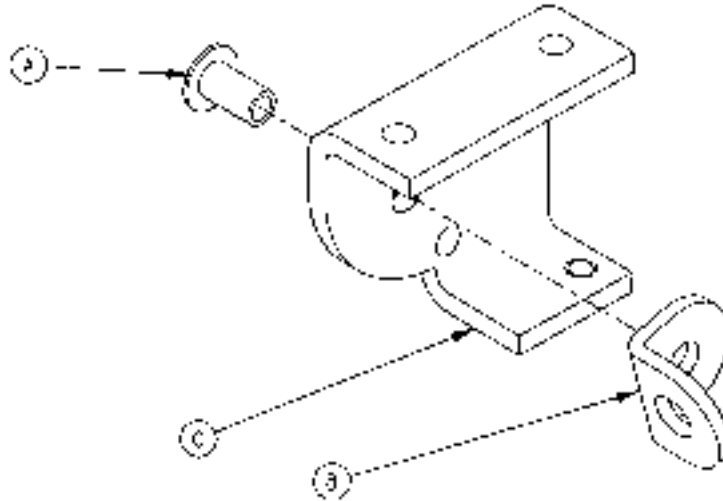
Assembly part number  
1710-31-120  
(reference only)



| Item | Part No.    | Part Name                | Qty. |
|------|-------------|--------------------------|------|
| A    | 4-161       | But. Hd. Cap Screw       | 2    |
| B    | 7-20        | Truss Hd. Mach. Screw    | 4    |
| C    | 25-124      | Pop Rivet                | 2    |
| D    | 15-37       | Jam Nut                  | 2    |
| E    | 15-50       | Hex Nut                  | 2    |
| F    | 16-28       | Fiberlock Nut            | 6    |
| H    | 21-125      | Set Screw                | 2    |
| J    | 21-126      | Set Screw                | 2    |
| K    | 1001-1-36   | Hole Plug                | 2    |
| L    | (page 86)   | Outer Housing Ass'y, Rt. | 1    |
| M    | (page 86)   | Outer Housing Ass'y, Lt. | 1    |
| N    | 1501-31-13  | Fowler Tube              | 1    |
| P    | 1510-231-12 | Fowler Skin (Fiberresin) | 1    |
| R    | 1710-31-118 | Trip Bar Assembly        | 1    |

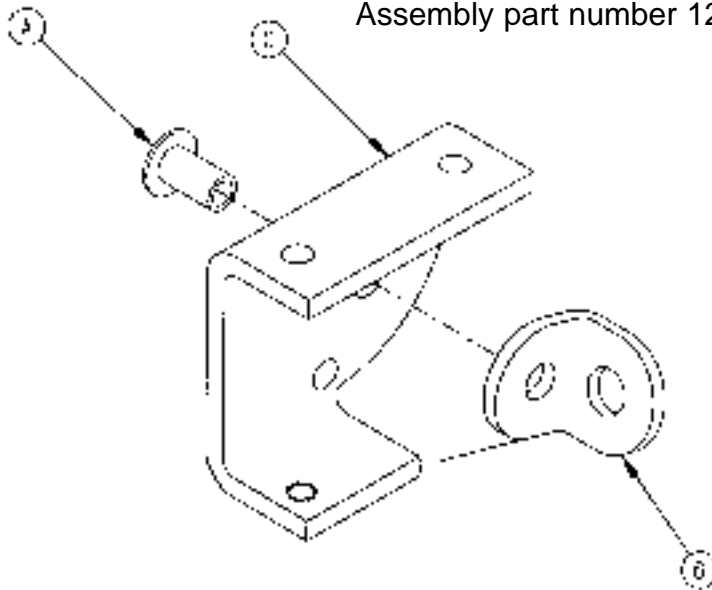
# Outer Housing Assembly, Right and Left

Assembly part number 1210-31-106 (Right)



| Item | Part No.    | Part Name            | Qty. |
|------|-------------|----------------------|------|
| A    | 25-144      | Semi-Tubular Rivet   | 1    |
| B    | 1210-31-103 | Pivot Tab            | 1    |
| C    | 1210-31-104 | Outer Housing, Right | 1    |

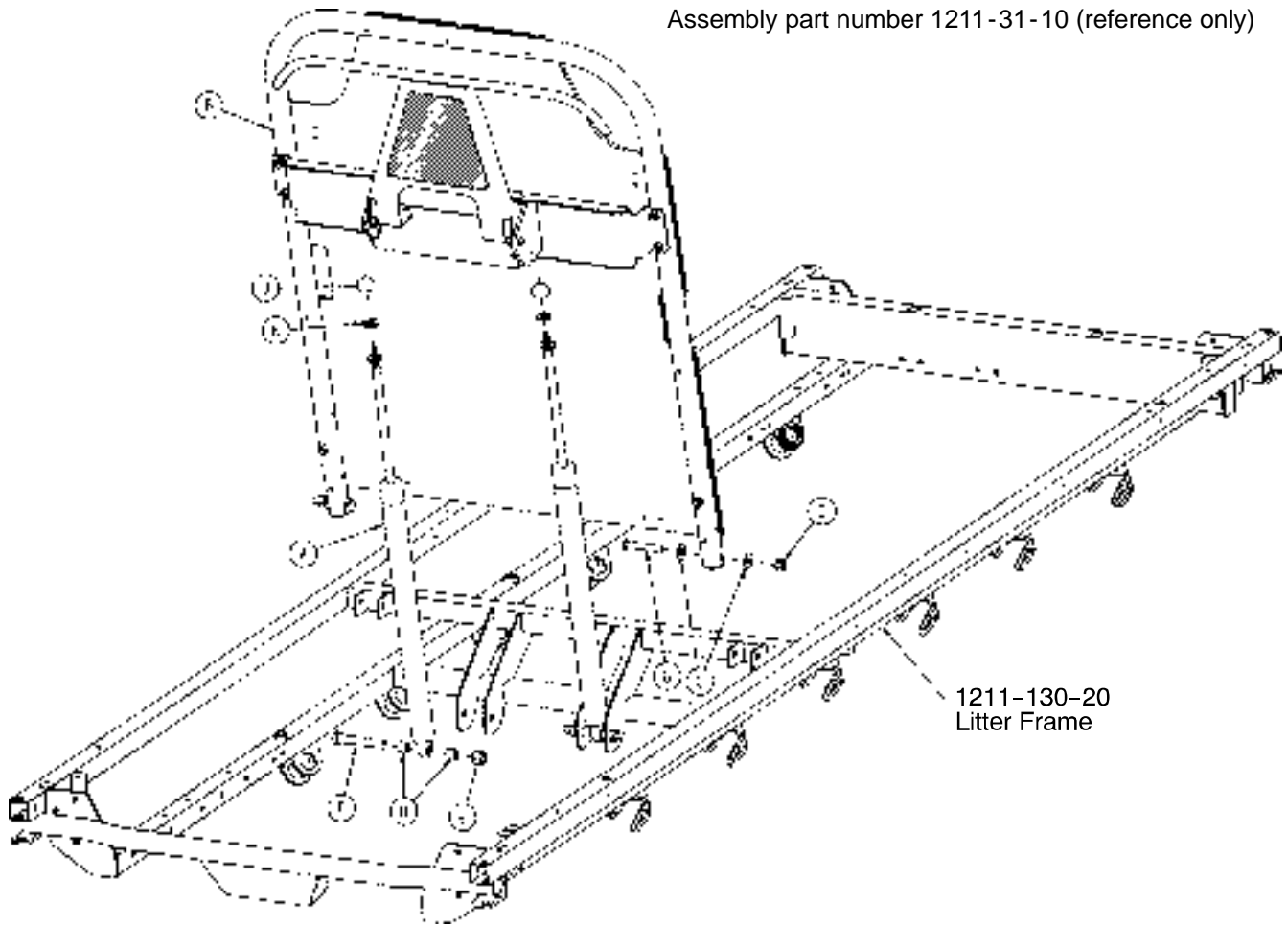
Assembly part number 1210-31-107 (Left)



| Item | Part No.    | Part Name           | Qty. |
|------|-------------|---------------------|------|
| A    | 25-144      | Semi-Tubular Rivet  | 1    |
| B    | 1210-31-103 | Pivot Tab           | 1    |
| C    | 1210-31-105 | Outer Housing, Left | 1    |

# 1001 Pneumatic Fowler to Frame Assembly

Assembly part number 1211-31-10 (reference only)



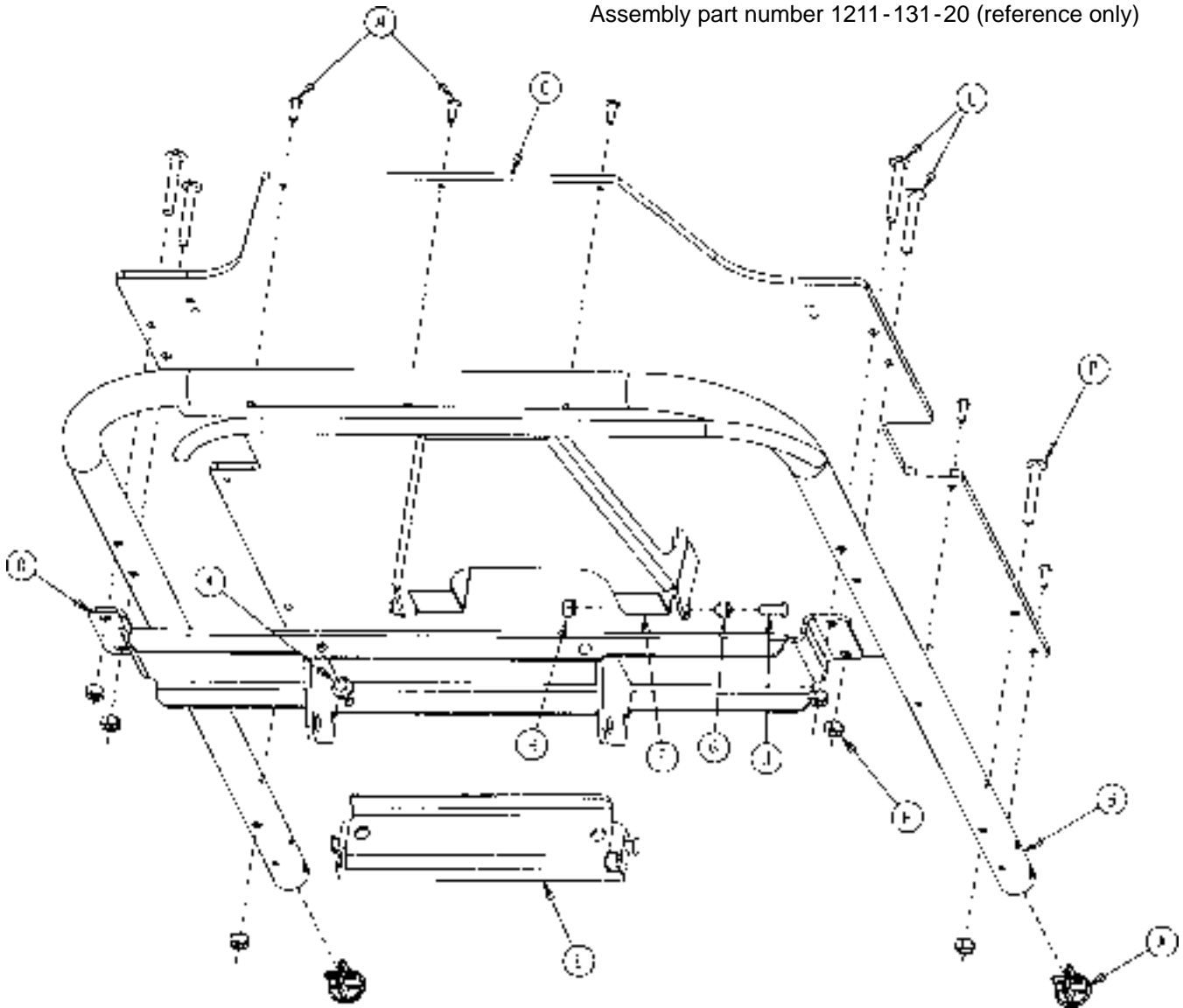
1211-130-20  
Litter Frame

HEAD END

| Item | Part No.    | Part Name               | Qty. |
|------|-------------|-------------------------|------|
| A    | 1010-31-78  | Gas Cylinder            | 2    |
| B    | (page 88)   | Pneumatic Fowler Ass'y  | 1    |
| C    | 11-179      | Washer                  | 4    |
| D    | 16-116      | Stover Locknut          | 2    |
| E    | 16-119      | Stover Locknut          | 2    |
| F    | 3-360       | Hex Hd. Cap Screw       | 2    |
| G    | 4-103       | Torx But. Hd. Cap Screw | 2    |
| H    | 52-306      | Nylon Spacer            | 4    |
| J    | 1211-131-26 | Gas Spring Cap          | 2    |
| K    | 15-60       | Metric Jam Nut          | 2    |

# Pneumatic Fowler Assembly, Fiberresin, Fold-to-Foot

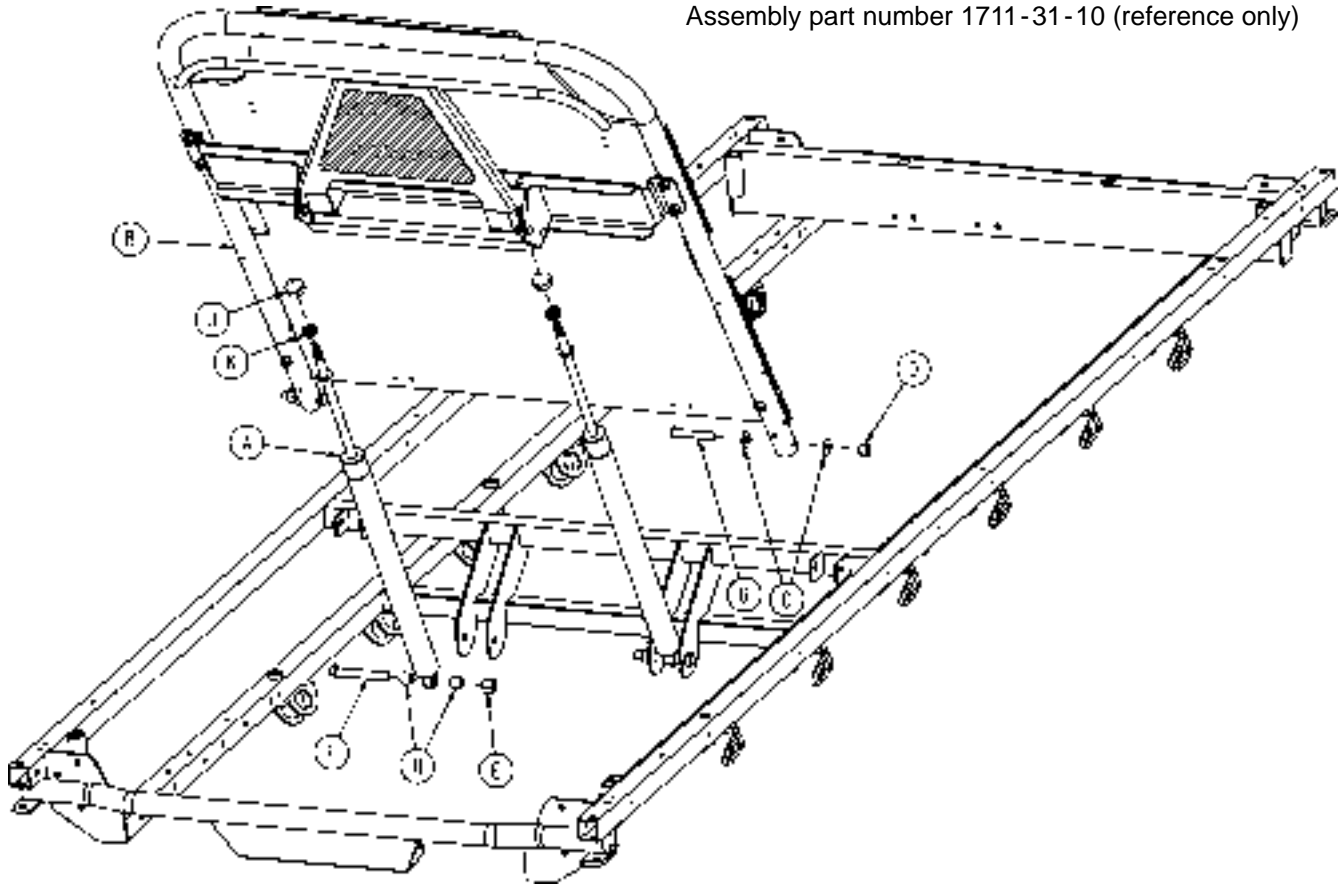
Assembly part number 1211-131-20 (reference only)



| Item | Part No.    | Part Name                | Qty. | Item | Part No.    | Part Name             | Qty. |
|------|-------------|--------------------------|------|------|-------------|-----------------------|------|
| A    | 1001-1-36   | Hole Plug                | 2    | H    | 16-118      | Hex Nut               | 8    |
| B    | 1001-31-13  | Fowler Tube              | 1    | J    | 4-455       | But. Hd. Cap Screw    | 2    |
| C    | 1010-231-12 | Fowler Skin              | 1    | K    | 37-64       | Grommet Bumper        | 2    |
| D    | 1211-131-14 | Pneu. Pivot Bar Wldmt.   | 1    | L    | 7-70        | Truss Hd. Mach. Screw | 4    |
| E    | 1211-231-29 | Gas Spring Mount, Wldmt. | 1    | M    | 25-172      | Blind Rivet           | 7    |
| F    | 1211-231-18 | Trip Bar Weldment        | 1    | N    | 1211-131-30 | Handle Grip           | 2    |
| G    | 1211-231-25 | Trip Bar Pivot           | 2    | P    | 4-135       | But. Hd. Cap Screw    | 2    |

# 1501 Pneumatic Fowler to Frame Assembly

Assembly part number 1711-31-10 (reference only)

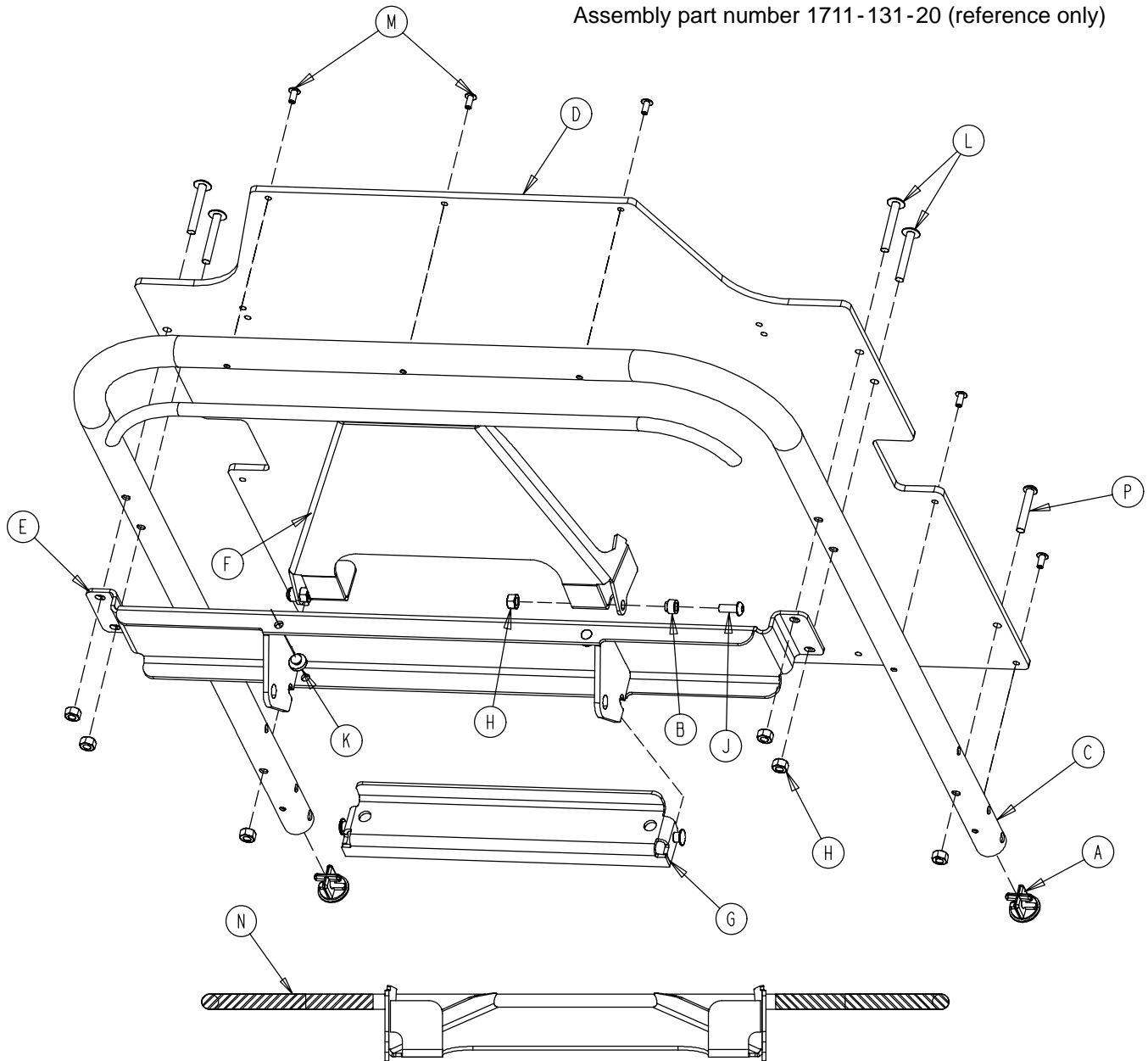


HEAD END

| Item | Part No.    | Part Name               | Qty. |
|------|-------------|-------------------------|------|
| A    | 1010-31-78  | Gas Cylinder            | 2    |
| B    | (page 90)   | Pneumatic Fowler Ass'y  | 1    |
| C    | 11-179      | Washer                  | 4    |
| D    | 16-116      | Stover Locknut          | 2    |
| E    | 16-119      | Stover Locknut          | 2    |
| F    | 3-360       | Hex Hd. Cap Screw       | 2    |
| G    | 4-103       | Torx But. Hd. Cap Screw | 2    |
| H    | 52-306      | Nylon Spacer            | 4    |
| J    | 1211-131-26 | Gas Spring Cap          | 2    |
| K    | 15-60       | Metric Jam Nut          | 2    |

# Pneumatic Fowler Assembly, Fiberresin, Fold-to-Foot

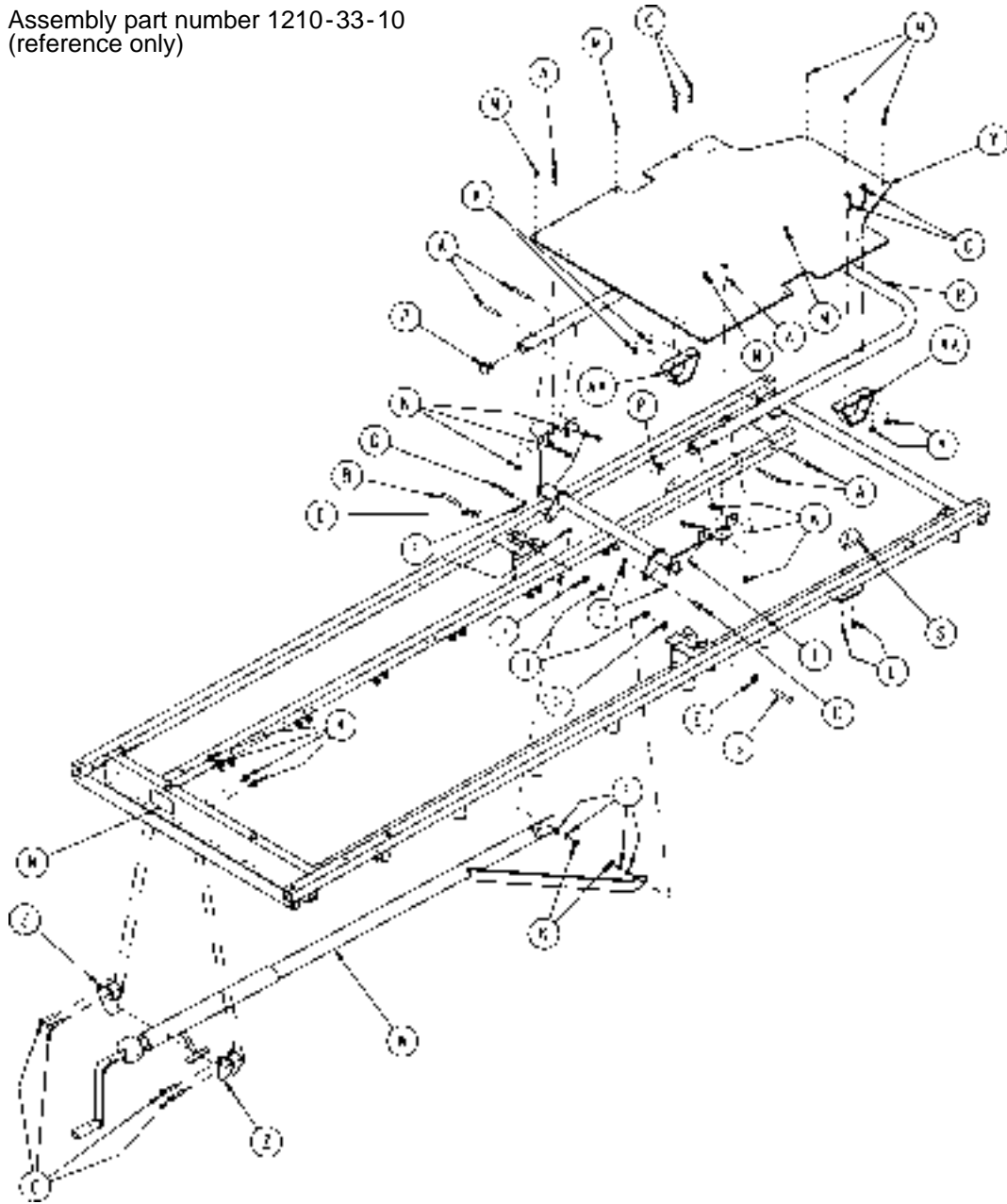
Assembly part number 1711-131-20 (reference only)



| Item | Part No.    | Part Name                | Qty. | Item | Part No.    | Part Name             | Qty. |
|------|-------------|--------------------------|------|------|-------------|-----------------------|------|
| A    | 1001-1-36   | Hole Plug                | 2    | H    | 16-118      | Hex Nut               | 8    |
| B    | 1211-231-25 | Trip Bar Pivot           | 2    | J    | 4-455       | But. Hd. Cap Screw    | 2    |
| C    | 1501-31-13  | Fowler Tube              | 1    | K    | 37-64       | Grommet Bumper        | 2    |
| D    | 1510-231-12 | Fowler Skin (Fiberresin) | 1    | L    | 7-70        | Truss Hd. Mach. Screw | 4    |
| E    | 1711-131-14 | Pneu. Pivot Bar Wldmt.   | 1    | M    | 25-172      | Blind Rivet           | 7    |
| F    | 1711-231-18 | Trip Bar Weldment        | 1    | N    | 1211-131-30 | Handle Grip           | 2    |
| G    | 1711-231-29 | Gas Spring Mount Wldmt.  | 1    | P    | 4-135       | But. Hd. Cap Screw    | 2    |

# 1001 Crank Fowler Assembly (Fiberresin, Fold-to-Head)

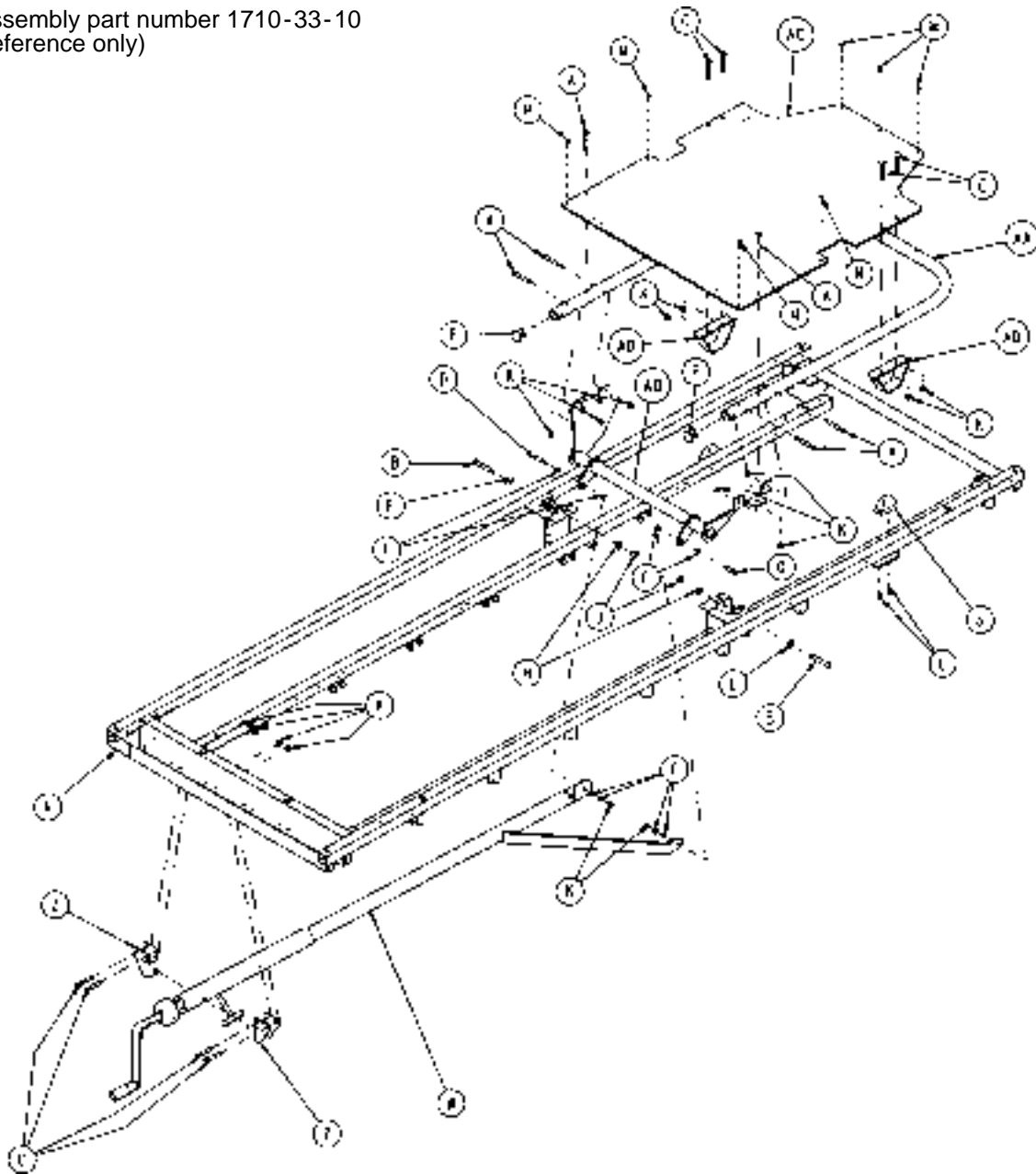
Assembly part number 1210-33-10  
(reference only)



| Item | Part No. | Part Name               | Qty. | Item | Part No.    | Part Name                | Qty. |
|------|----------|-------------------------|------|------|-------------|--------------------------|------|
| A    | 4-97     | Hex But. Hd. Cap Screw  | 6    | M    | 25-133      | Pop Rivet                | 7    |
| B    | 4-104    | But. Hd. Cap Screw      | 2    | N    | 946-1-64    | Fowler Operation Label   | 1    |
| C    | 7-70     | Truss Hd. Mach. Screw   | 8    | P    | 1001-1-36   | Hole Plug                | 2    |
| D    | 8-15     | Shoulder Bolt           | 2    | R    | 1001-31-13  | Fowler Tube              | 1    |
| E    | 11-179   | Nylon Washer            | 4    | S    | 1001-31-31  | Pneumatic Fowler Rest    | 2    |
| F    | 14-3     | Thrust Washer           | 8    | T    | 1001-33-24  | Fowler Lever Assembly    | 1    |
| H    | 14-21    | Washer                  | 2    | W    | (page 93)   | Crankscrew Assembly      | 1    |
| J    | 16-36    | Hex Nut                 | 2    | Y    | 1010-231-12 | Fowler Skin (Fiberresin) | 1    |
| K    | 16-118   | Fiberlock Hex Nut       | 16   | Z    | 1010-234-15 | Mounting Bracket Ass'y   | 2    |
| L    | 23-256   | Ph. Hd. Self-Tap. Screw | 4    | AA   | 1550-33-31  | Fowler Support Ass'y     | 2    |

# 1501 Crank Fowler Assembly (Fiberresin, Fold-to-Head)

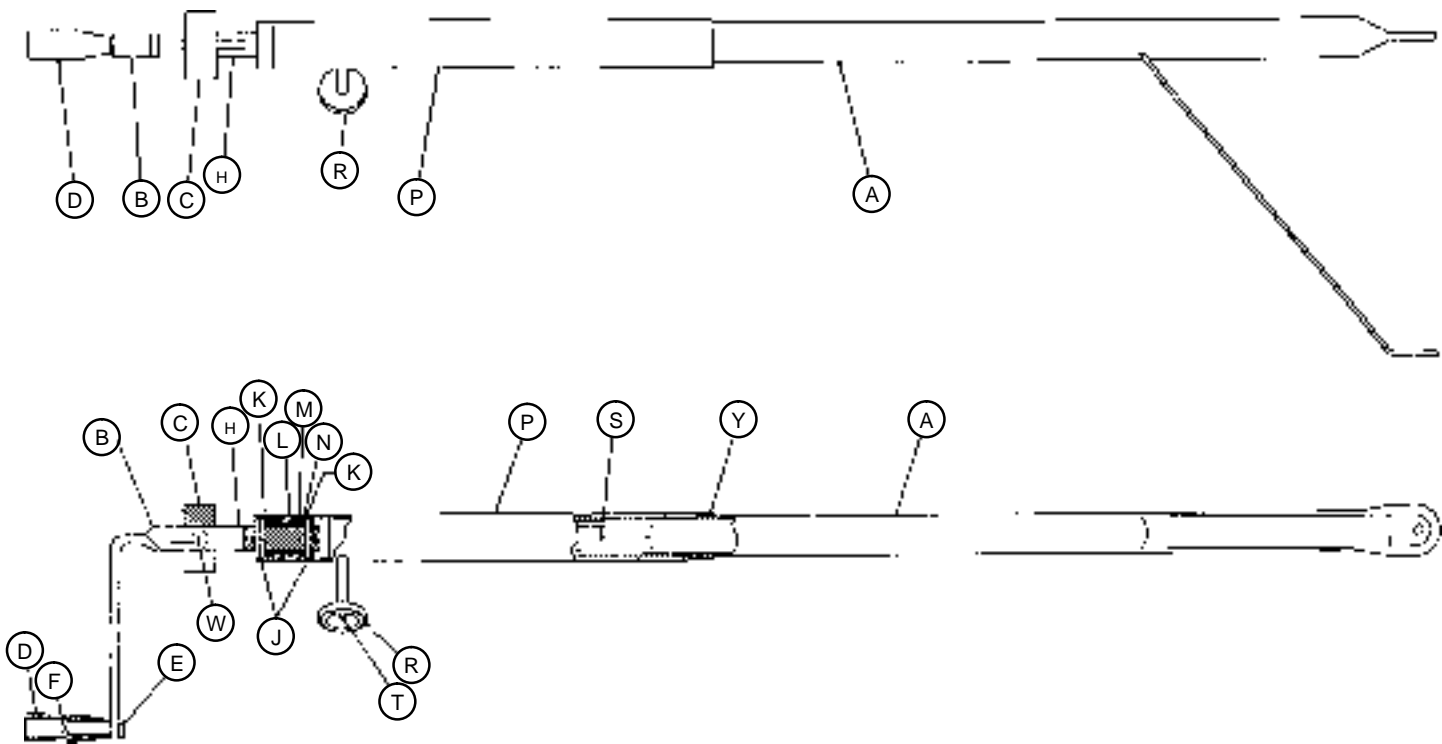
Assembly part number 1710-33-10  
(reference only)



| Item | Part No. | Part Name               | Qty. | Item | Part No.    | Part Name                | Qty. |
|------|----------|-------------------------|------|------|-------------|--------------------------|------|
| A    | 4-97     | Hex But. Hd. Cap Screw  | 6    | M    | 25-133      | Pop Rivet                | 7    |
| B    | 4-104    | But. Hd. Cap Screw      | 2    | N    | 946-1-64    | Fowler Operation Label   | 1    |
| C    | 7-70     | Truss Hd. Mach. Screw   | 8    | P    | 1001-1-36   | Hole Plug                | 2    |
| D    | 8-15     | Shoulder Bolt           | 2    | S    | 1001-31-31  | Pneumatic Fowler Rest    | 2    |
| E    | 11-179   | Washer                  | 2    | W    | (page 93)   | Crankscrew Assembly      | 1    |
| F    | 14-3     | Thrust Washer           | 8    | Z    | 1010-234-15 | Mounting Bracket Ass'y   | 2    |
| H    | 14-21    | Washer                  | 2    | AA   | 1501-31-13  | Fowler Tube              | 1    |
| J    | 16-116   | Nylock Hex Nut          | 2    | AB   | 1501-33-24  | Fowler Lever Ass'y       | 1    |
| K    | 16-118   | Fiberlock Nut           | 16   | AC   | 1510-231-12 | Fowler Skin (Fiberresin) | 1    |
| L    | 23-256   | Ph. Hd. Self-Tap. Screw | 4    | AD   | 1550-33-31  | Fowler Support Ass'y     | 2    |

# 1001-33-25 (1001) Fowler Crankscrew Ass'y

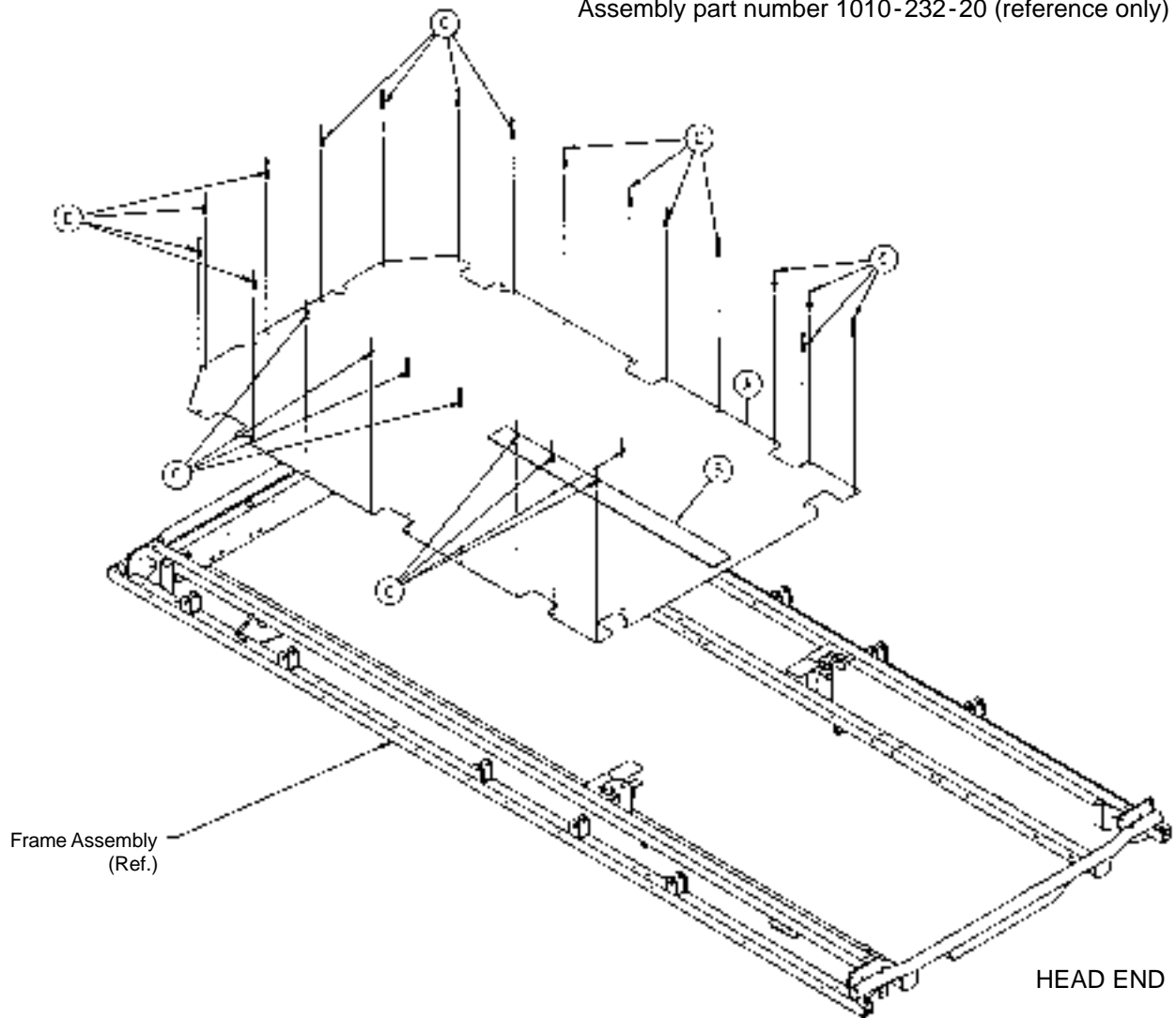
# 1501-33-25 (1501) Fowler Crankscrew Ass'y



| Item | Part No.   | Part Name            | Qty. |
|------|------------|----------------------|------|
| A    | 1001-33-26 | Drive Bar Assembly   | 1    |
|      | 1501-33-26 | Drive Bar Assembly   | 1    |
| B    | 1550-1-16  | Crank Assembly       | 1    |
| C    | 946-33-18  | Crank Disc           | 1    |
| D    | 938-1-177  | Knob                 | 1    |
| E    | 16-102     | Keyp Nut             | 1    |
| F    | 378-124-29 | Shoulder Bolt        | 1    |
| H    | 946-33-35  | Fowler Screw         | 1    |
| J    | 26-14      | Roll Pin             | 2    |
| K    | 81-174     | Thrust Washer        | 2    |
| L    | 938-1-175  | Bearing Assembly     | 1    |
| M    | 81-176     | Thrust Washer        | 1    |
| N    | 81-175     | Thrust Bearing       | 1    |
| P    | 1510-34-84 | Screw Cover Assembly | 1    |
| R    | 1550-1-14  | Magnet               | 1    |
| S    | 26-118     | Roll Pin             | 1    |
| T    | 4-107      | Soc. Hd. Cap Screw   | 1    |
| W    | 26-145     | Roll Pin             | 1    |
| Y    | 7900-1-102 | Velcro Pile          | 1    |

# 1001 Stationary Foot End Assembly, Steel, Fold-to-Head

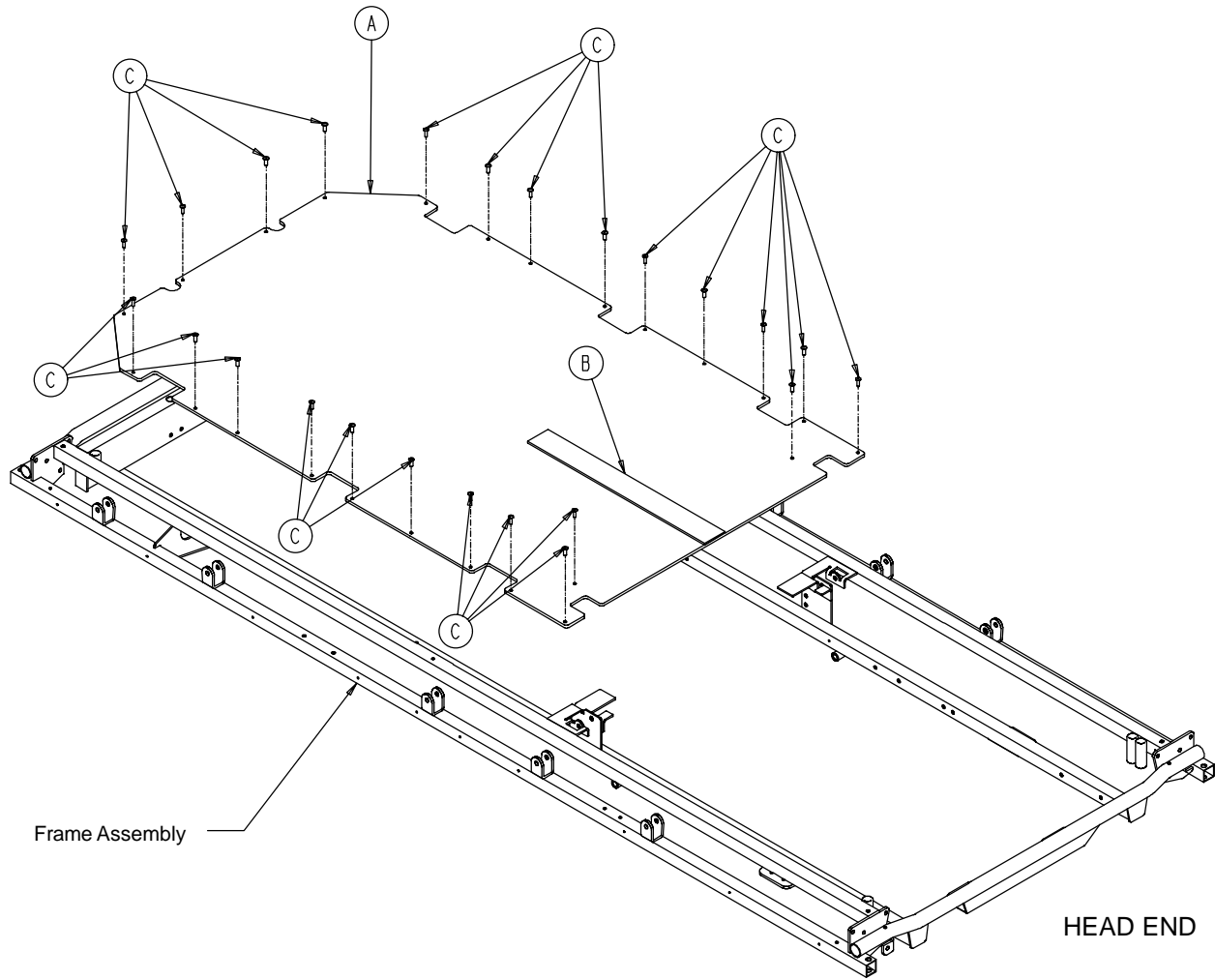
Assembly part number 1010-232-20 (reference only)



| Item | Part No.    | Part Name                | Qty. |
|------|-------------|--------------------------|------|
| A    | 1010-232-21 | Footsection Skin (Steel) | 1    |
| B    | 381-24-7    | Velcro Pile              | 1    |
| C    | 25-79       | Pop Rivet                | 24   |

# 1001 Stationary Foot End Ass'y, Fiberresin, Fold-to-Head

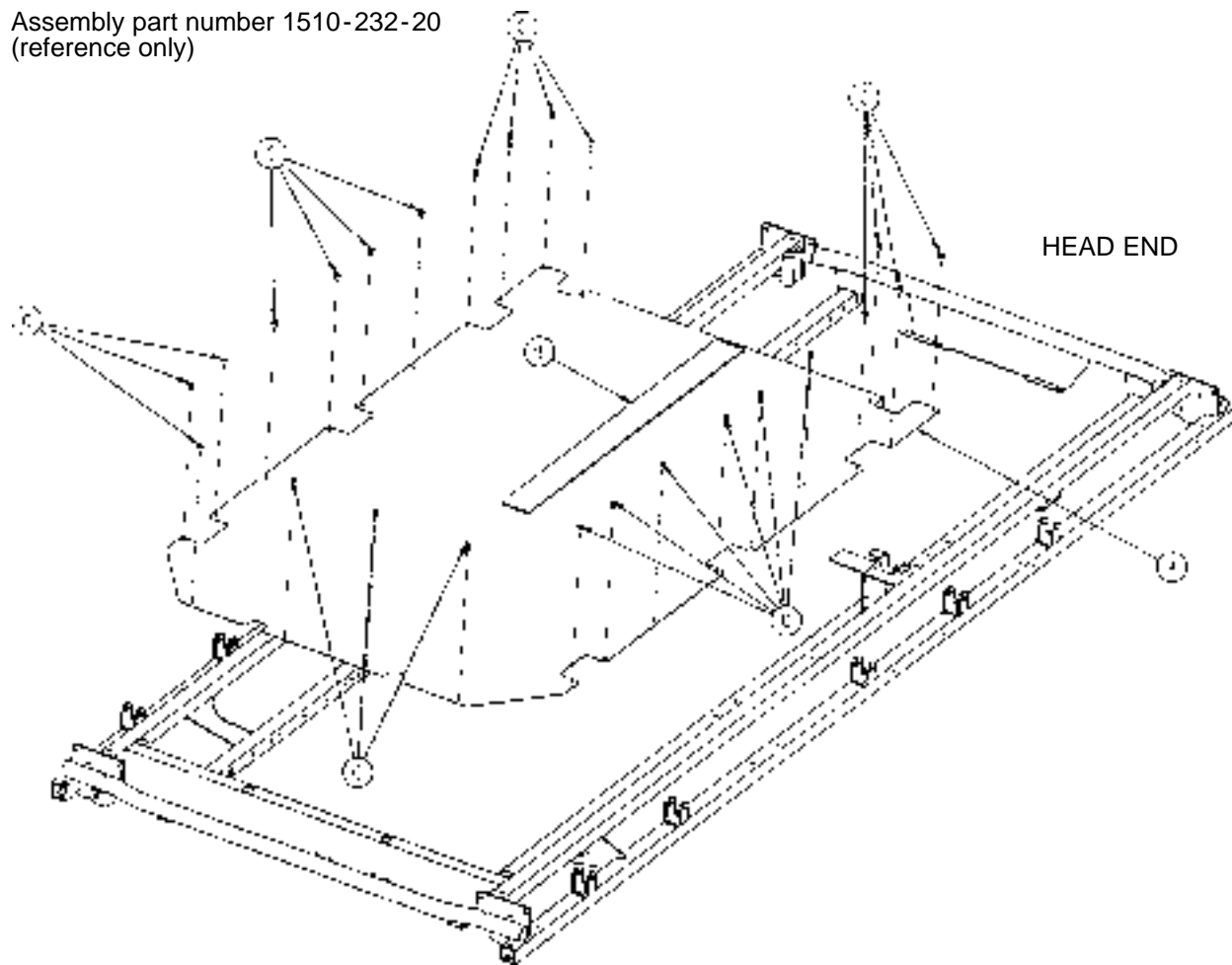
Assembly part number 1010-332-20 (reference only)



| Item | Part No.    | Part Name               | Qty. |
|------|-------------|-------------------------|------|
| A    | 1010-332-21 | Ftsec. Skin, Fiberresin | 1    |
| B    | 381-24-7    | Velcro Pile             | 1    |
| C    | 25-171      | Pop Rivet               | 24   |

# 1501 Stationary Foot End Assembly, Steel, Fold-to-Head

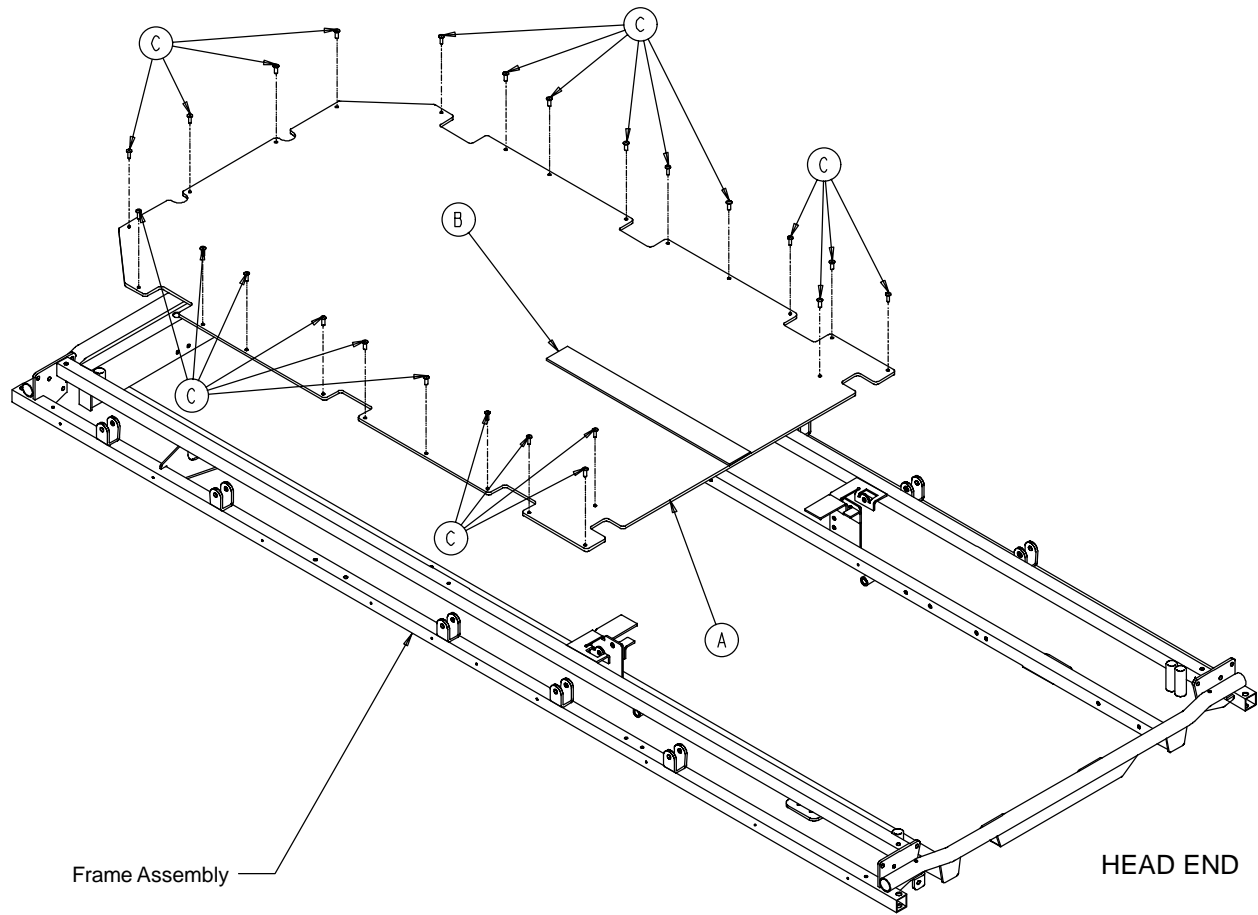
Assembly part number 1510-232-20  
(reference only)



| Item | Part No.    | Part Name        | Qty.    |
|------|-------------|------------------|---------|
| A    | 1510-232-21 | Footsection Skin | 1       |
| B    | 381-24-7    | Velcro Pile      | 24 1/2" |
| C    | 25-79       | Pop Rivet        | 24      |

# 1501 Stationary Foot End Ass'y, Fiberresin, Fold-to-Head

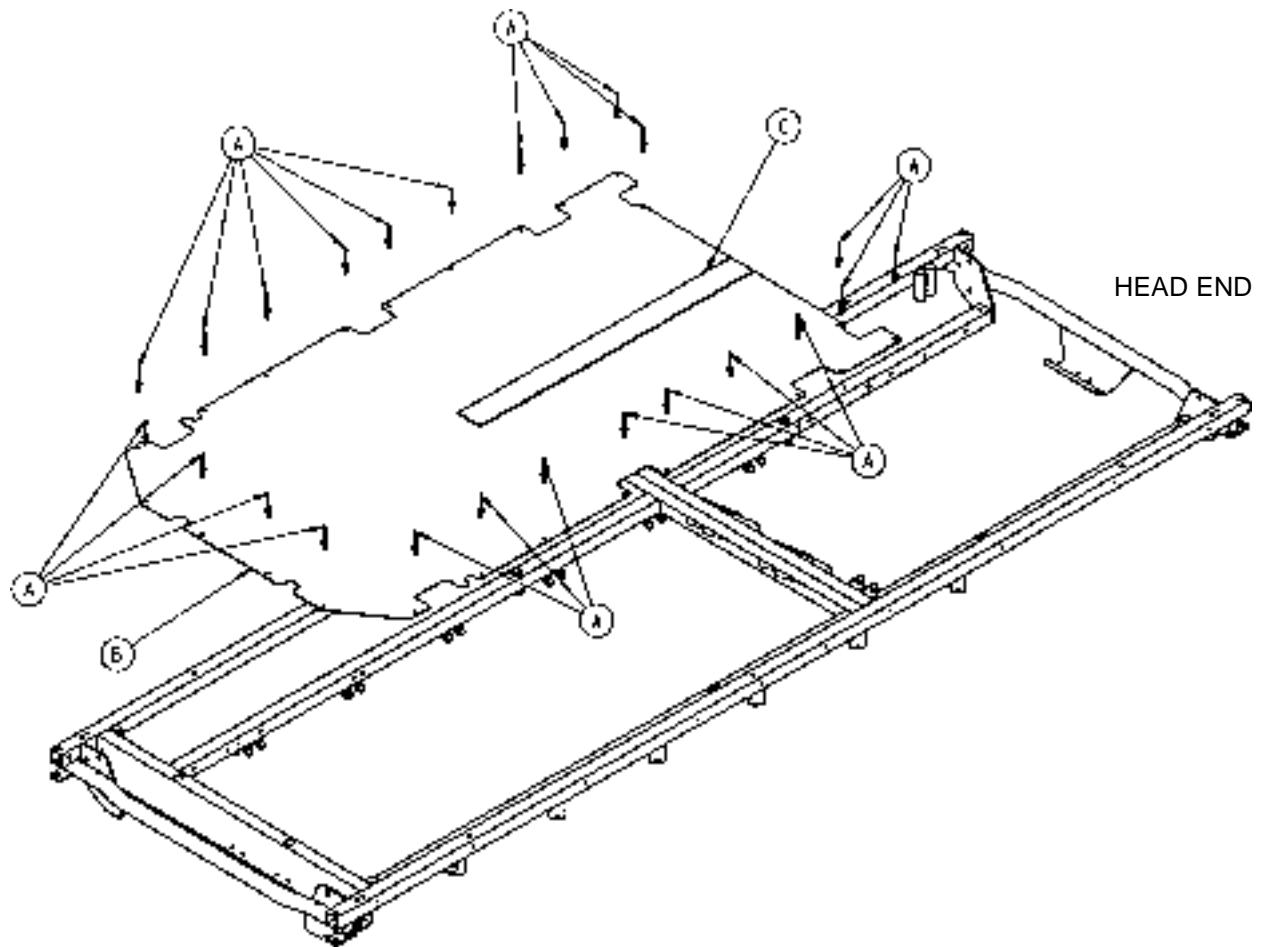
Assembly part number 1510-332-20 (reference only)



| Item | Part No.    | Part Name                    | Qty. |
|------|-------------|------------------------------|------|
| A    | 1510-332-21 | Footsection Skin, Fiberresin | 1    |
| B    | 381-24-7    | Velcro Pile                  | 1    |
| C    | 25-171      | Pop Rivet                    | 24   |

# 1001 Stationary Foot End Assembly, Steel, Fold-to-Foot

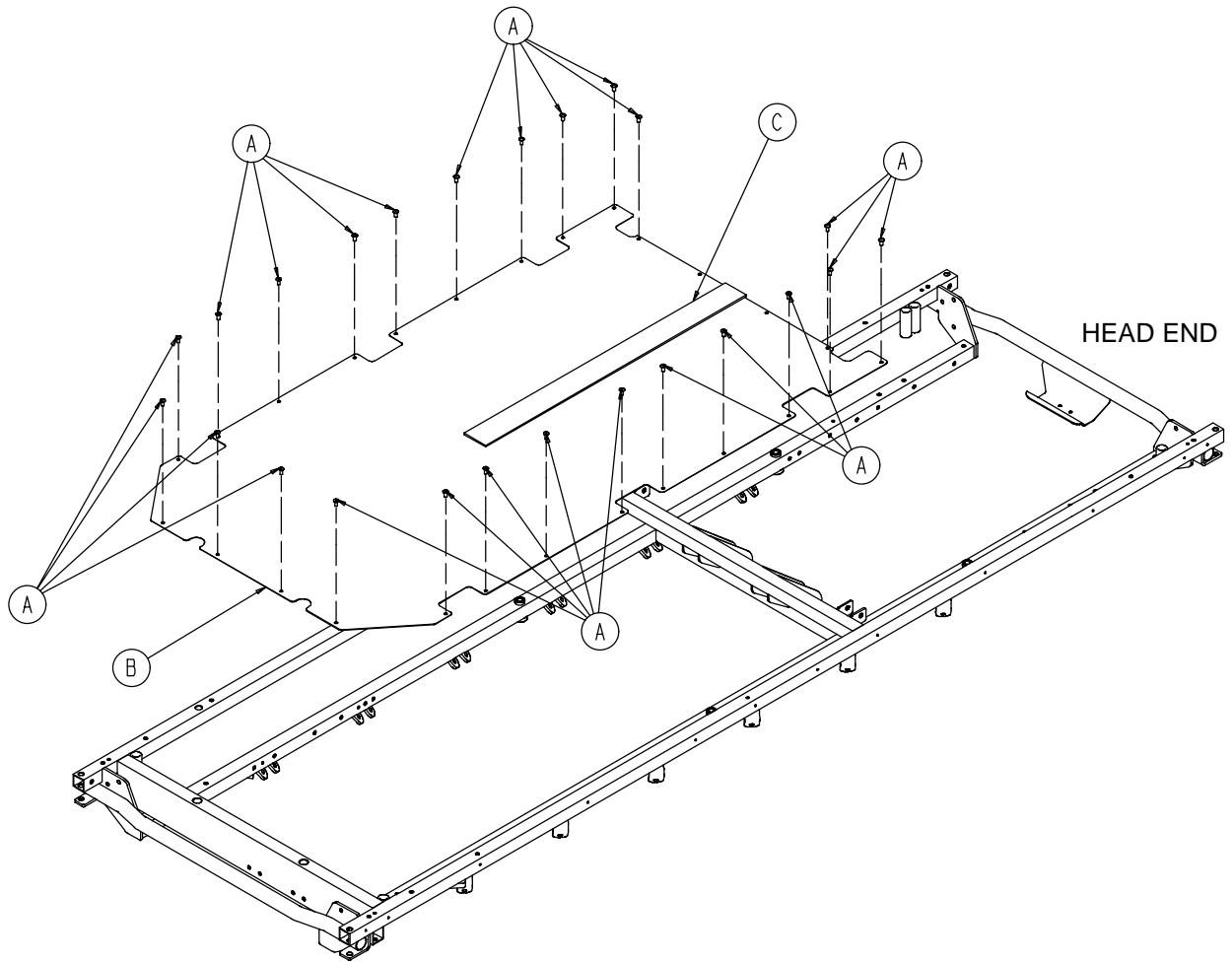
Assembly part number 1001-132-20 (reference only)



| Item | Part No.    | Part Name                | Qty. |
|------|-------------|--------------------------|------|
| A    | 25-172      | Pop Rivet                | 24   |
| B    | 1001-132-21 | Footsection Skin (Steel) | 1    |
| C    | 381-24-7    | Velcro Pile              | 1    |

# 1501 Stationary Foot End Assembly, Steel, Fold-to-Foot

Assembly part number 1501-132-20 (reference only)

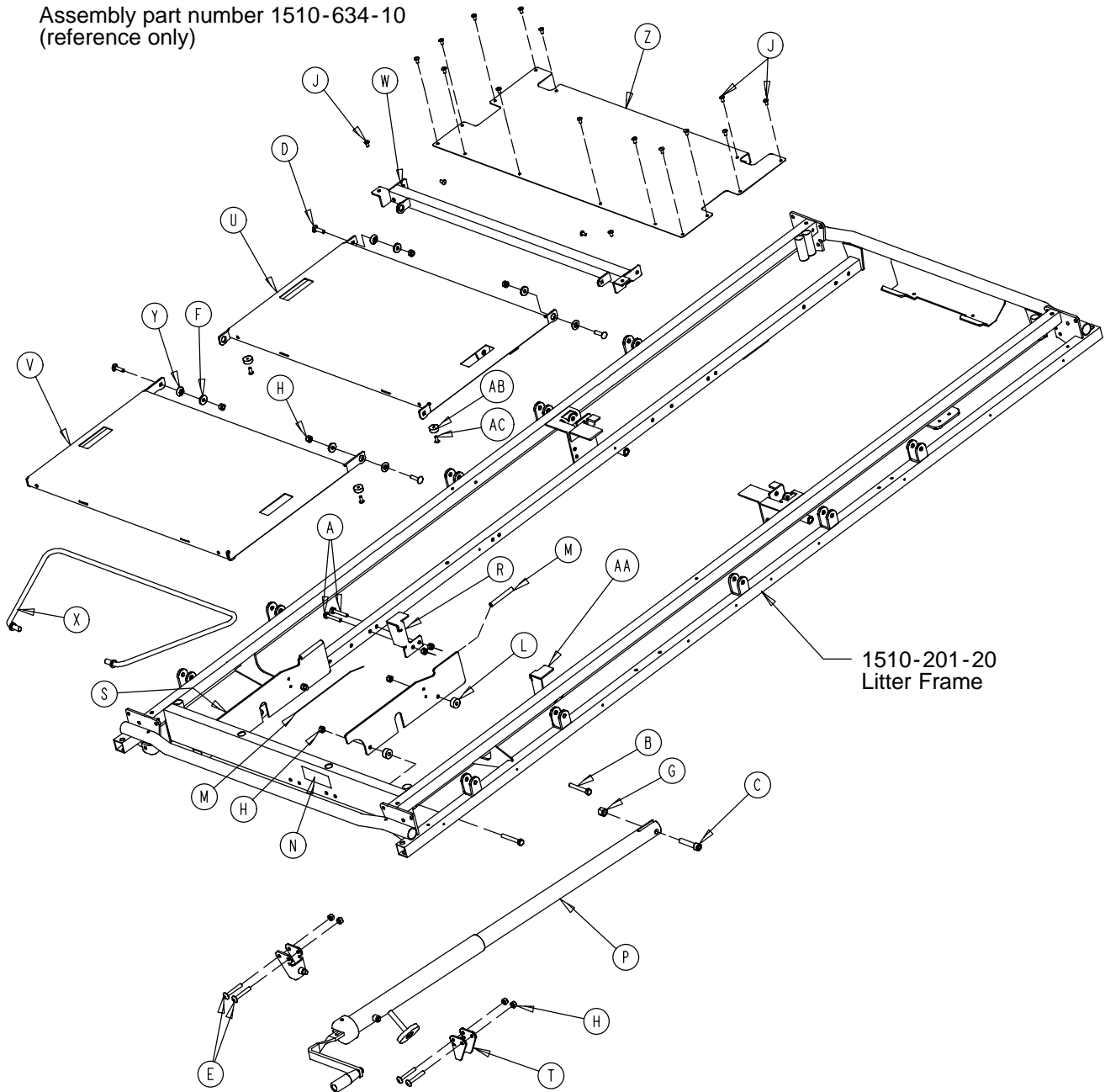


| Item | Part No.    | Part Name                | Qty. |
|------|-------------|--------------------------|------|
| A    | 25-172      | Pop Rivet                | 26   |
| B    | 1501-132-21 | Footsection Skin (Steel) | 1    |
| C    | 381-24-7    | Velcro Pile              | 1    |



# 1501 Knee Gatch Ass'y, Steel, Fold-to-Head Siderails

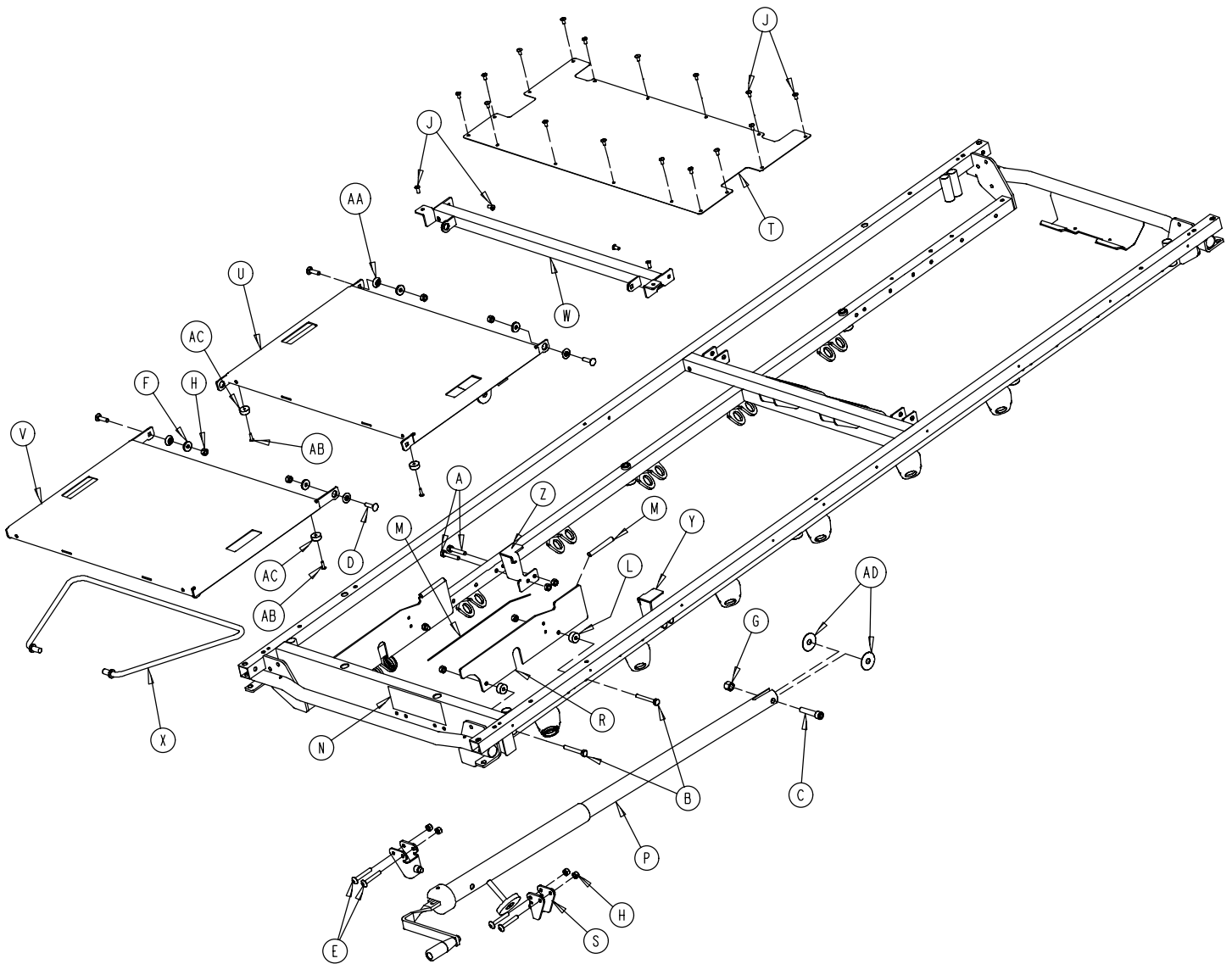
Assembly part number 1510-634-10  
(reference only)



| Item | Part No. | Part Name             | Qty. | Item | Part No.    | Part Name               | Qty. |
|------|----------|-----------------------|------|------|-------------|-------------------------|------|
| A    | 3-47     | Hex Hd. Cap Screw     | 4    | P    | (page 104)  | Gatch Crankscrew Ass'y  | 1    |
| B    | 3-76     | Hex Hd. Cap Screw     | 4    | R    | 1211-234-24 | Thigh Support, Left     | 1    |
| C    | 4-105    | Soc. Hd. Cap Screw    | 1    | S    | 1001-34-131 | Slider Support          | 2    |
| D    | 5-19     | Rd. Hd. Sq. Neck Bolt | 4    | T    | 1010-234-15 | Mounting Bracket        | 2    |
| E    | 7-20     | Truss Hd. Mach. Screw | 4    | U    | 1710-34-11  | Thigh Section Weldmt    | 1    |
| F    | 11-158   | Washer                | 4    | V    | 1710-34-12  | Calf Section Weldment   | 1    |
| G    | 16-12    | Flexlock Nut          | 1    | W    | 1710-34-23  | Midsection Supt. Wldmt. | 1    |
| H    | 16-28    | Nylock Nut            | 16   | X    | 1710-34-27  | Calf Stand Bar          | 1    |
| J    | 25-79    | Blind Rivet           | 4    | Y    | 3001-300-99 | Modified Fowler Bushing | 4    |
| K    | 25-122   | Blind Rivet           | 14   | Z    | 1510-234-27 | Midsection Skin         | 1    |
| L    | 52-291   | Nylon Spacer          | 4    | AA   | 1211-234-25 | Thigh Support, Right    | 1    |
| M    | 58-56    | Edge Cover            | 2'   | AB   | 56-19       | Bumper                  | 4    |
| N    | 946-1-65 | Knee Gatch Label      | 1    | AC   | 25-179      | Blind Rivet             | 4    |

# 1001 Knee Gatch Ass'y, Steel, Fold-to-Footer Siderails

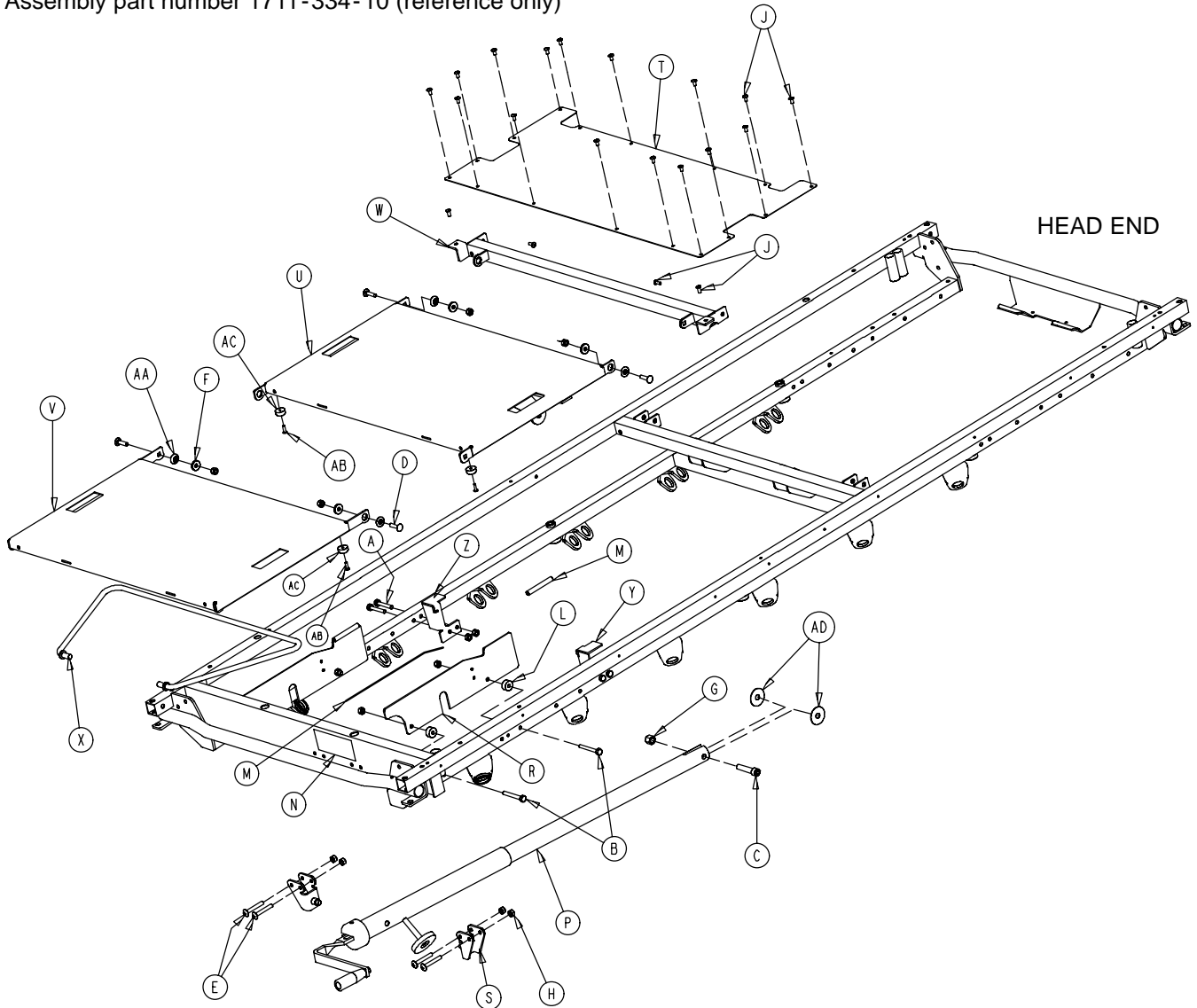
Assembly part number 1211-334-10 (reference only)



| Item | Part No.   | Part Name              | Qty. | Item | Part No.    | Part Name               | Qty. |
|------|------------|------------------------|------|------|-------------|-------------------------|------|
| A    | 3-355      | Hex Hd. Cap Screw      | 4    | R    | 1001-34-131 | Slider Support          | 2    |
| B    | 3-358      | Hex Hd. Cap Screw      | 4    | S    | 1010-234-15 | Mounting Bracket        | 2    |
| C    | 4-327      | Soc. Hd. Cap Screw     | 1    | T    | 1001-134-27 | Midsection Skin         | 1    |
| D    | 5-34       | Rd. Hd. Sq. Neck Bolt  | 4    | U    | 1210-34-11  | Thigh Section Weldment  | 1    |
| E    | 7-70       | Truss Hd. Mach. Screw  | 4    | V    | 1210-34-12  | Calf Section Weldment   | 1    |
| F    | 11-159     | Washer                 | 4    | W    | 1210-34-23  | Midsection Supt. Wldmt. | 1    |
| G    | 16-117     | Flexlock Nut           | 1    | X    | 1210-34-27  | Calf Stand Bar          | 1    |
| H    | 16-118     | Nylock Nut             | 16   | Y    | 1211-234-25 | Thigh Support, Right    | 1    |
| J    | 25-172     | Blind Rivet            | 20   | Z    | 1211-234-24 | Thigh Support, Left     | 1    |
| L    | 52-291     | Nylon Spacer           | 4    | AA   | 3001-300-99 | Modified Fowler Bushing | 4    |
| M    | 58-56      | Edge Cover             | 2'   | AB   | 25-157      | Blind Rivet             | 4    |
| N    | 946-1-65   | Knee Gatch Label       | 1    | AC   | 56-19       | Bumper                  | 4    |
| P    | (page 104) | Gatch Crankscrew Ass'y | 1    | AD   | 11-351      | Washer                  | 2    |

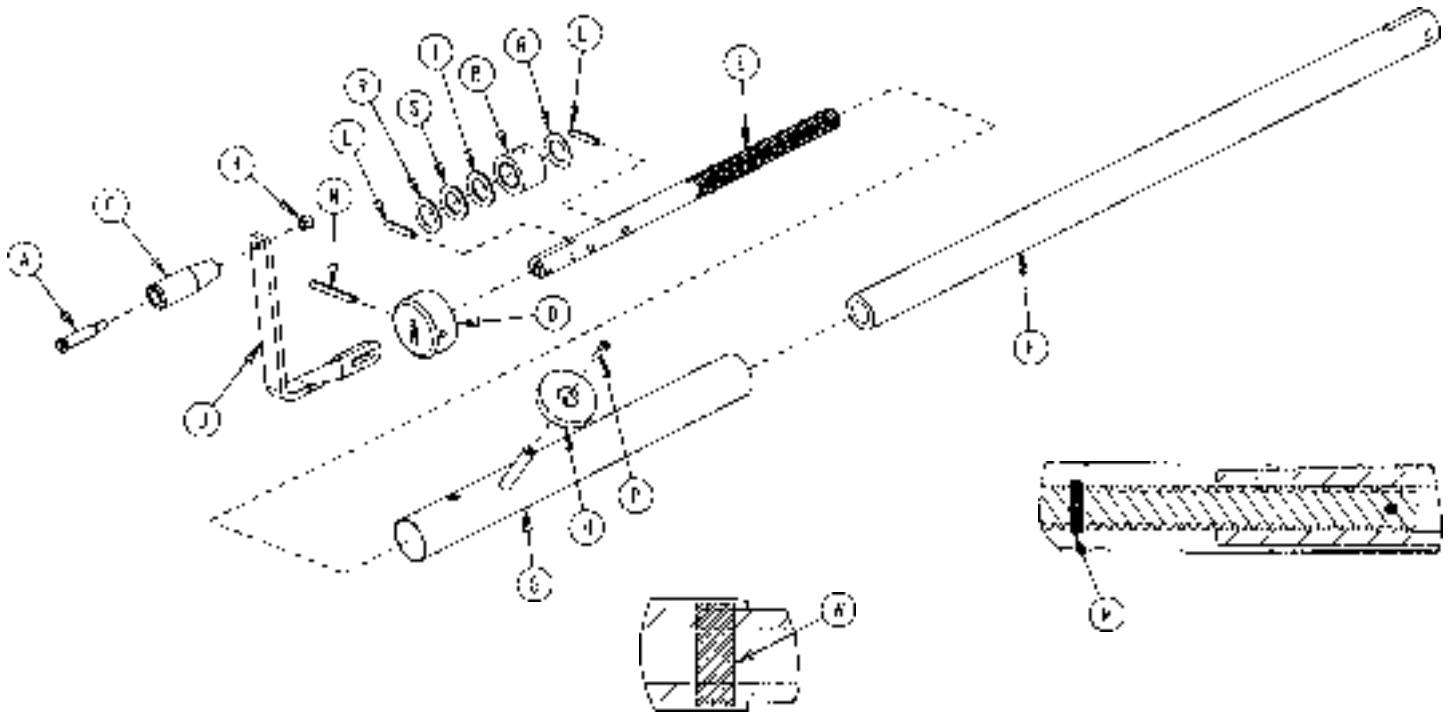
# 1501 Knee Gatch Ass'y, Steel, Fold-to-Foot Siderails

Assembly part number 1711-334-10 (reference only)



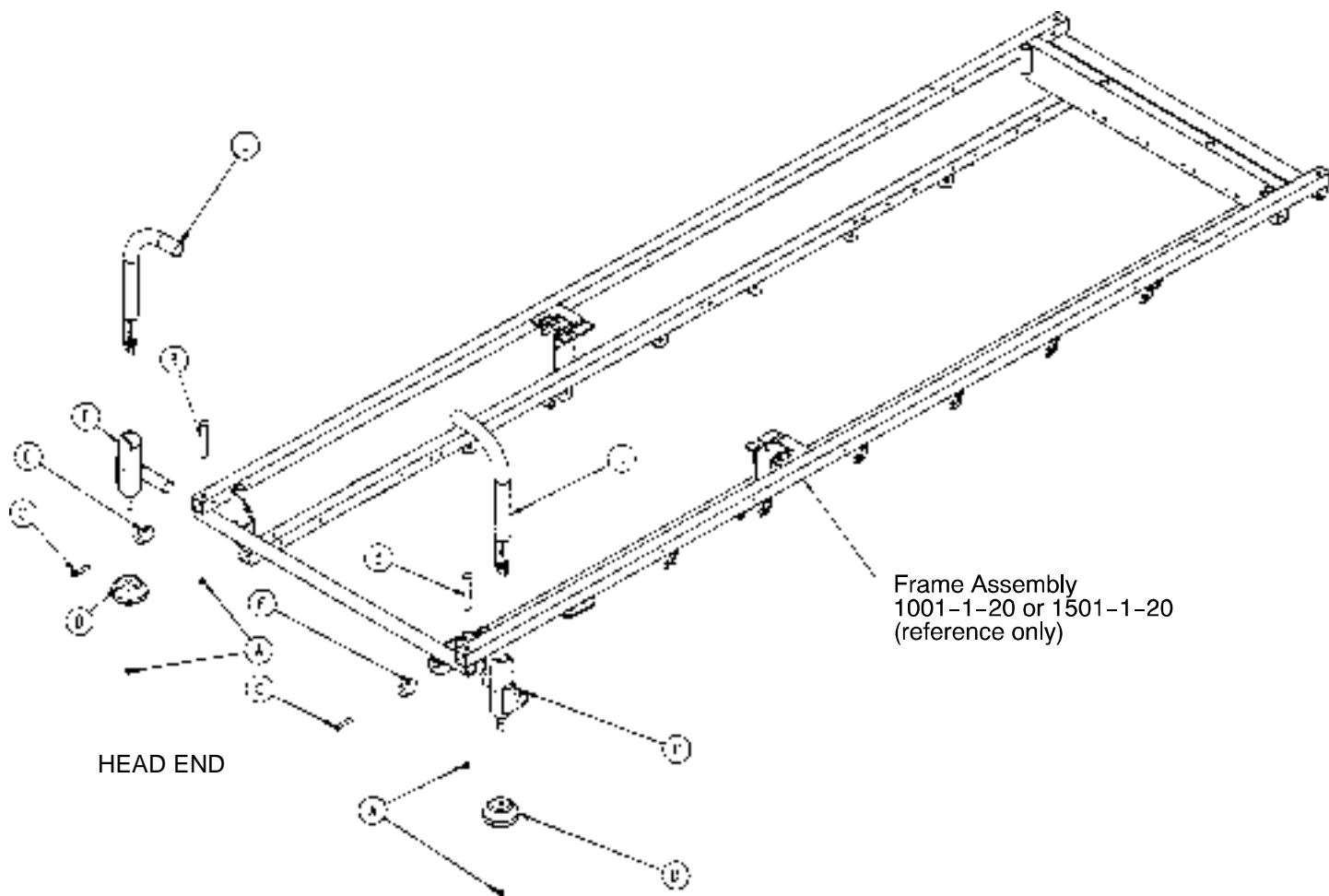
| Item | Part No.   | Part Name              | Qty. | Item | Part No.    | Part Name               | Qty. |
|------|------------|------------------------|------|------|-------------|-------------------------|------|
| A    | 3-355      | Hex Hd. Cap Screw      | 4    | R    | 1001-34-131 | Slider Support          | 2    |
| B    | 3-358      | Hex Hd. Cap Screw      | 4    | S    | 1010-234-15 | Mounting Bracket        | 2    |
| C    | 4-327      | Soc. Hd. Cap Screw     | 1    | T    | 1501-134-27 | Midsection Skin         | 1    |
| D    | 5-34       | Rd. Hd. Sq. Neck Bolt  | 4    | U    | 1710-34-11  | Thigh Section Weldment  | 1    |
| E    | 7-70       | Truss Hd. Mach. Screw  | 4    | V    | 1710-34-12  | Calf Section Weldment   | 1    |
| F    | 11-159     | Washer                 | 4    | W    | 1710-34-23  | Midsection Supt. Wldmt. | 1    |
| G    | 16-117     | Flexlock Nut           | 1    | X    | 1710-34-27  | Calf Stand Bar          | 1    |
| H    | 16-118     | Nylock Nut             | 16   | Y    | 1211-234-25 | Thigh Support, Right    | 1    |
| J    | 25-172     | Blind Rivet            | 20   | Z    | 1211-234-24 | Thigh Support, Left     | 1    |
| L    | 52-291     | Nylon Spacer           | 4    | AA   | 3001-300-99 | Modified Fowler Bushing | 4    |
| M    | 58-56      | Edge Cover             | 2'   | AB   | 26-157      | Blind Rivet             | 4    |
| N    | 946-1-65   | Knee Gatch Label       | 1    | AC   | 56-19       | Bumper                  | 4    |
| P    | (page 104) | Gatch Crankscrew Ass'y | 1    | AD   | 11-351      | Washer                  | 2    |

# 1001-134-19 Knee Gatch Crankscrew Assembly



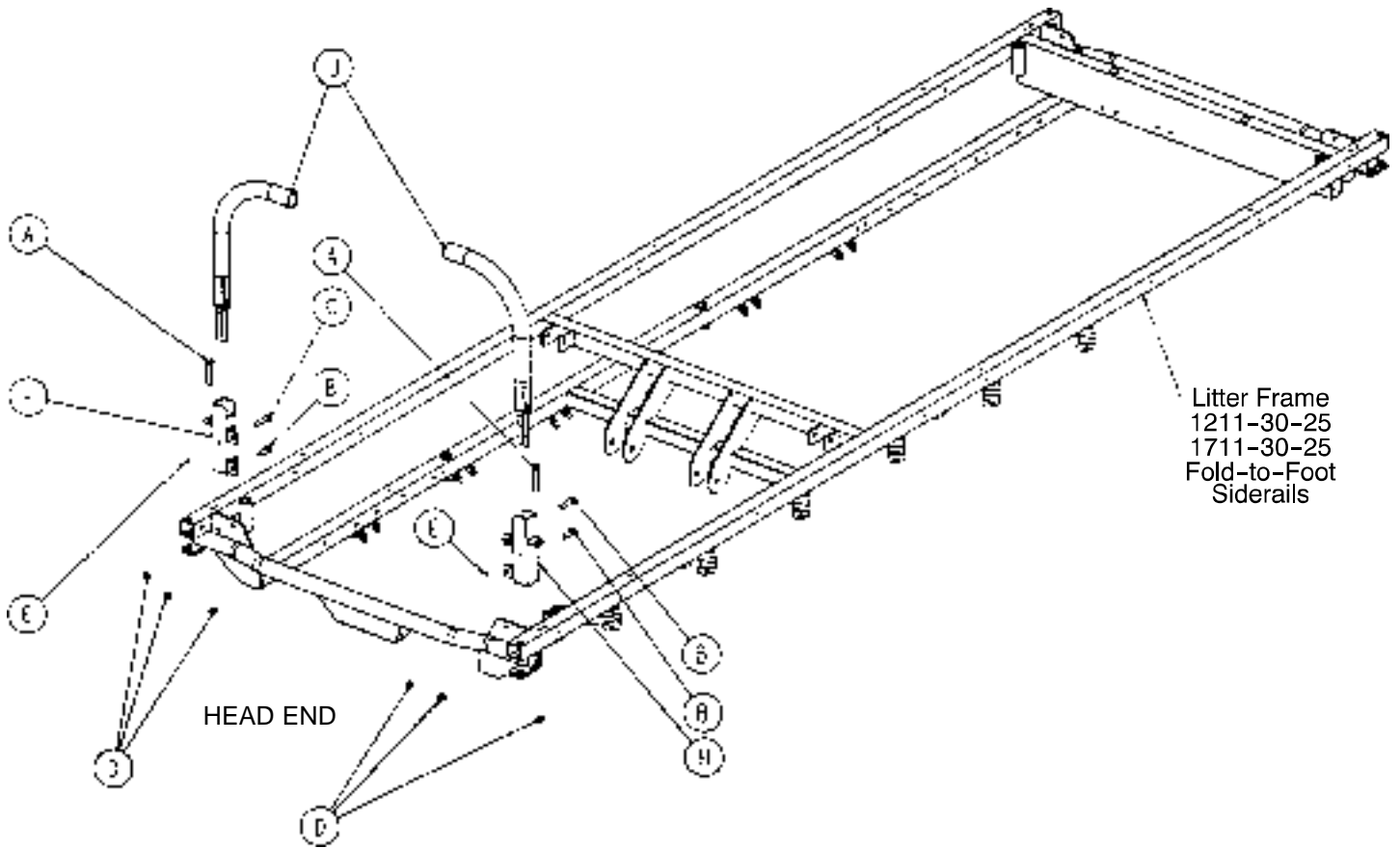
| Item | Part No.    | Part Name                 | Qty. |
|------|-------------|---------------------------|------|
| A    | 378-124-29  | Shoulder Bolt             | 1    |
| B    | 938-1-175   | Bearing Assembly          | 1    |
| C    | 938-1-177   | Knob                      | 1    |
| D    | 946-33-18   | Crank Disk                | 1    |
| E    | 1001-134-47 | Knee Gatch Screw          | 1    |
| F    | 1510-34-55  | Gatch Drive Tube Assembly | 1    |
| G    | 1510-34-84  | Screw Cover Assembly      | 1    |
| H    | 1550-1-14   | Magnet                    | 1    |
| J    | 1550-1-16   | Crank Assembly            | 1    |
| K    | 16-118      | Nylock Nut                | 1    |
| L    | 26-14       | Spring Pin                | 2    |
| M    | 26-43       | Spring Pin                | 2    |
| N    | 26-145      | Spring Pin                | 1    |
| P    | 4-107       | Soc. Head Cap Screw       | 1    |
| R    | 81-174      | Thrust Washer             | 2    |
| S    | 81-175      | Thrust Bearing            | 1    |
| T    | 81-176      | Thrust Washer             | 1    |
| W    | 7900-1-102  | Velcro Pile Tape          | 2    |

# 1001-151 Hd. End Push Handles, Fold-to-Head Siderails



| Item | Part No.    | Part Name                       | Qty. |
|------|-------------|---------------------------------|------|
| A    | 16-35       | Hex Nut                         | 4    |
| B    | 4-182       | Soc. But. Hd. Cap Screw         | 2    |
| C    | 4-198       | Soc. But. Hd. Cap Screw         | 2    |
| D    | 926-400-142 | Bumper                          | 2    |
| E    | 1001-151-13 | Spacer Post                     | 2    |
| F    | 1001-151-23 | Bolt-On Push Handle Socket, Lt. | 1    |
| H    | 1001-151-24 | Bolt-On Push Handle Socket, Rt. | 1    |
| J    | (page 107)  | Push Handle Assembly            | 2    |

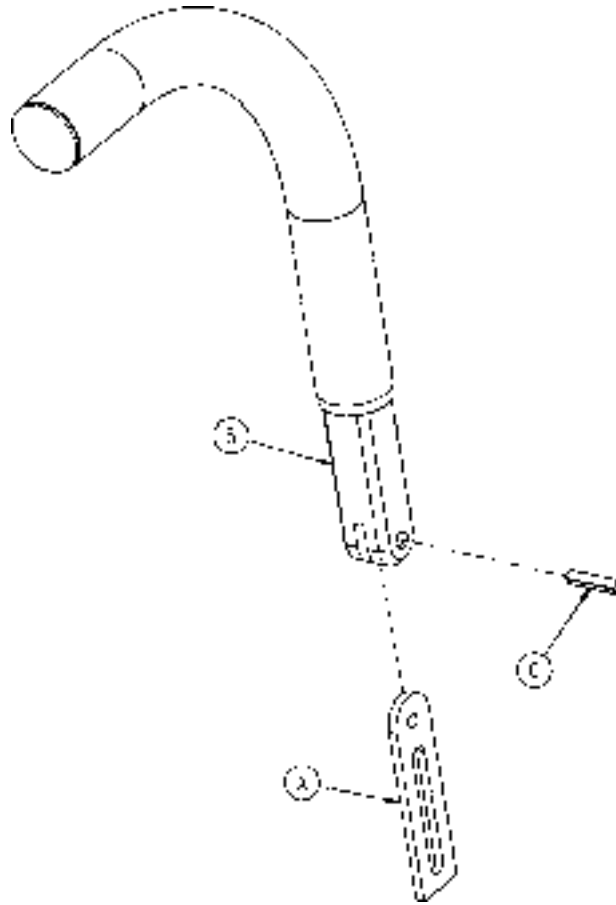
# 1001 -152 Hd. End Push Handles, Fold-to-Foot Siderails



| Item | Part No.   | Part Name            | Qty. |
|------|------------|----------------------|------|
| A    | 3-355      | Hex Hd. Cap Screw    | 2    |
| B    | 3-356      | Hex Hd. Cap Screw    | 2    |
| C    | 3-357      | Hex Hd. Cap Screw    | 2    |
| D    | 16-118     | Hex Nut              | 6    |
| E    | 26-11      | Spring Pin           | 2    |
| F    | 1211-151-4 | Receptacle, Left     | 1    |
| H    | 1211-151-6 | Receptacle, Right    | 1    |
| J    | (page 107) | Push Handle Assembly | 2    |

# 1211-351-10 Push Handle Assembly

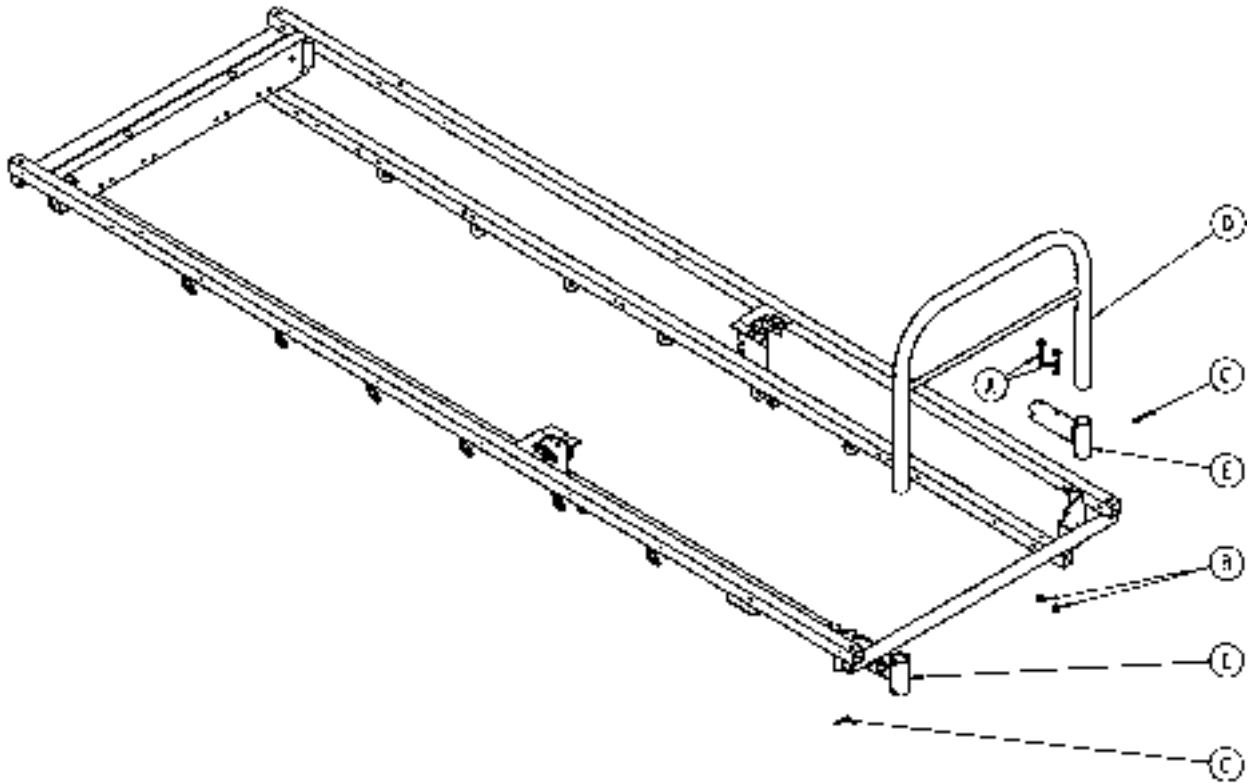
---



| Item | Part No.    | Part Name       | Qty. |
|------|-------------|-----------------|------|
| A    | 1010-354-24 | Stop Link       | 1    |
| B    | 1211-151-18 | Sleeve Assembly | 1    |
| C    | 26-118      | Roll Pin        | 1    |

# 1001-155 (1001) Fold-to-Head Push Bar Assembly

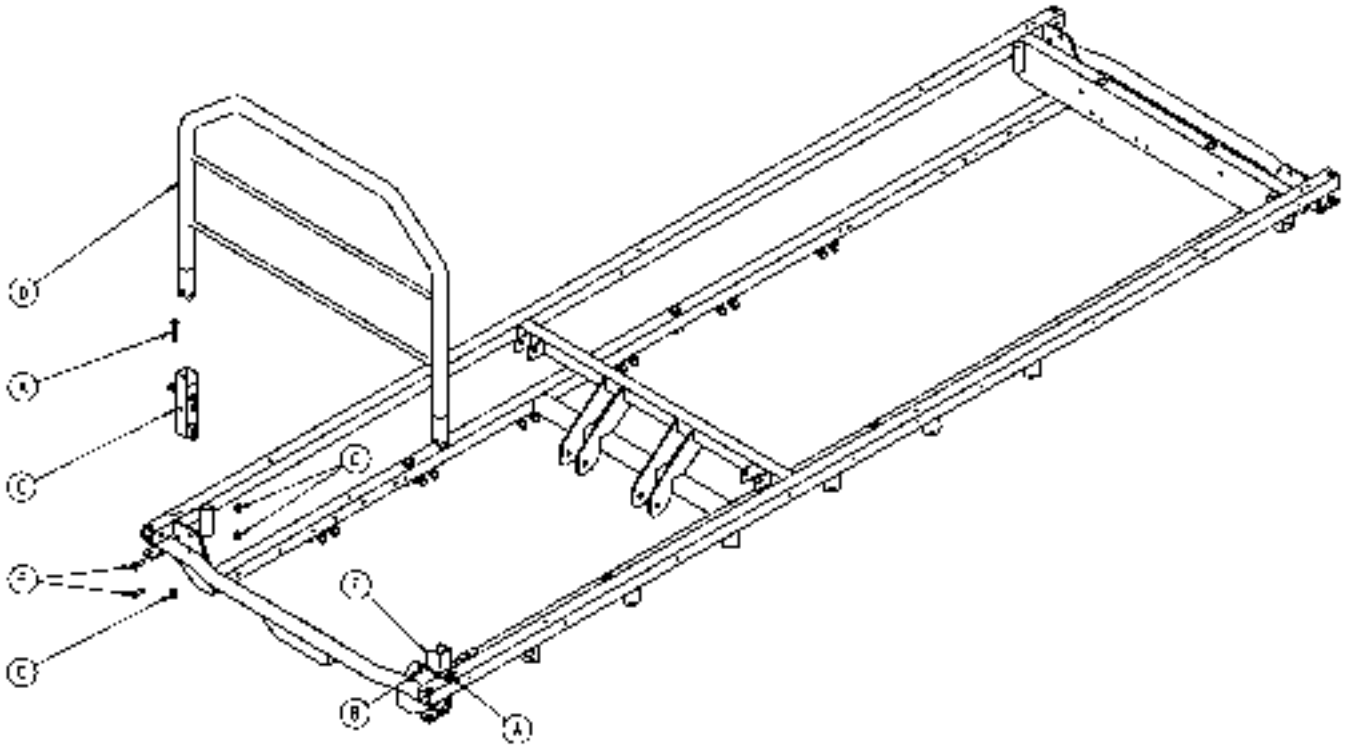
# 1501-155 (1501) Fold-to-Head Push Bar Assembly



| Item | Part No.    | Part Name                | Qty. |
|------|-------------|--------------------------|------|
| A    | 3-359       | Hex Hd. Cap Screw        | 4    |
| B    | 16-118      | Fiberlock Nut            | 4    |
| C    | 26-12       | Roll Pin                 | 2    |
| D    | 1001-155-10 | Push Bar Weldment        | 1    |
|      | 1501-155-10 | Push Bar Weldment        | 1    |
| E    | 1001-155-14 | Push Bar Socket Weldment | 2    |

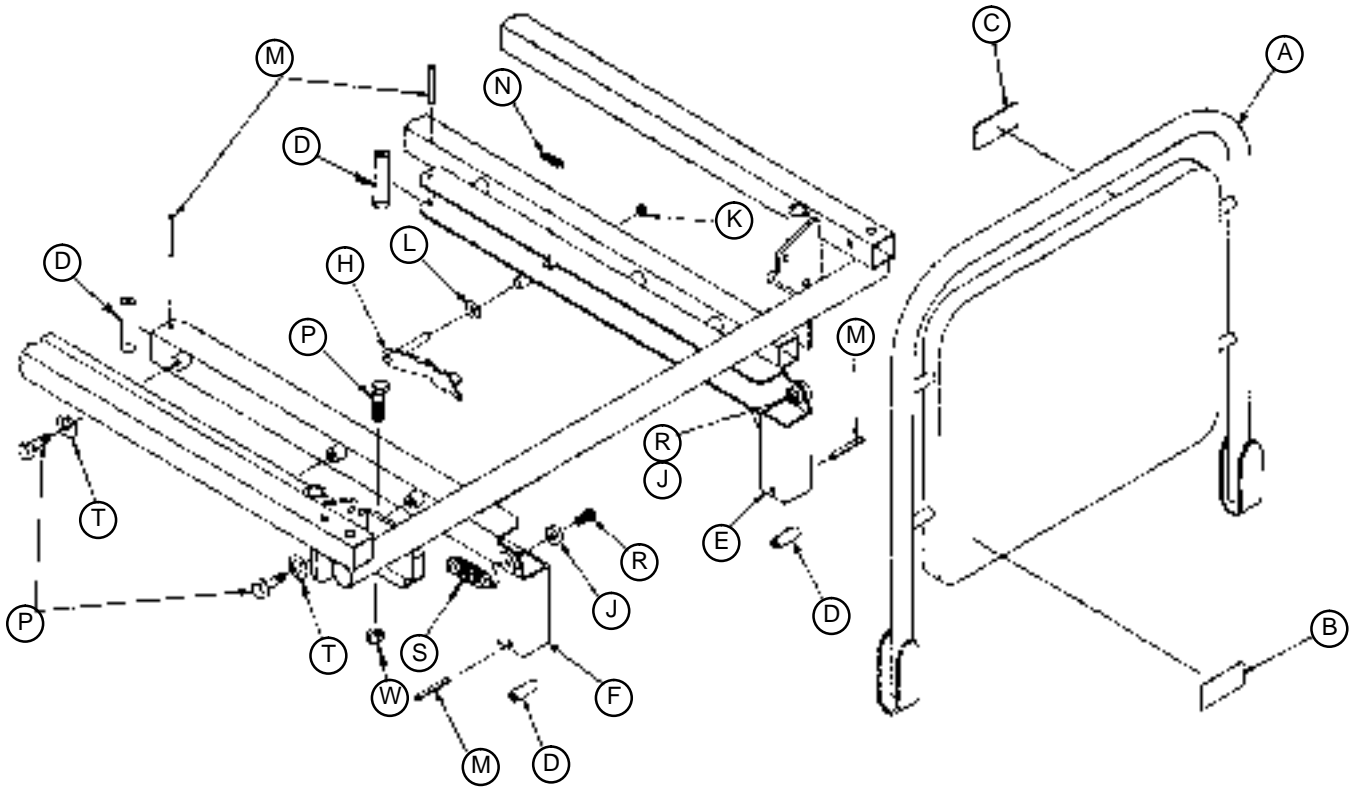
# 1001-156 (1001) Fold-to-Foot Push Bar Assembly

# 1501-156 (1501) Fold-to-Foot Push Bar Assembly



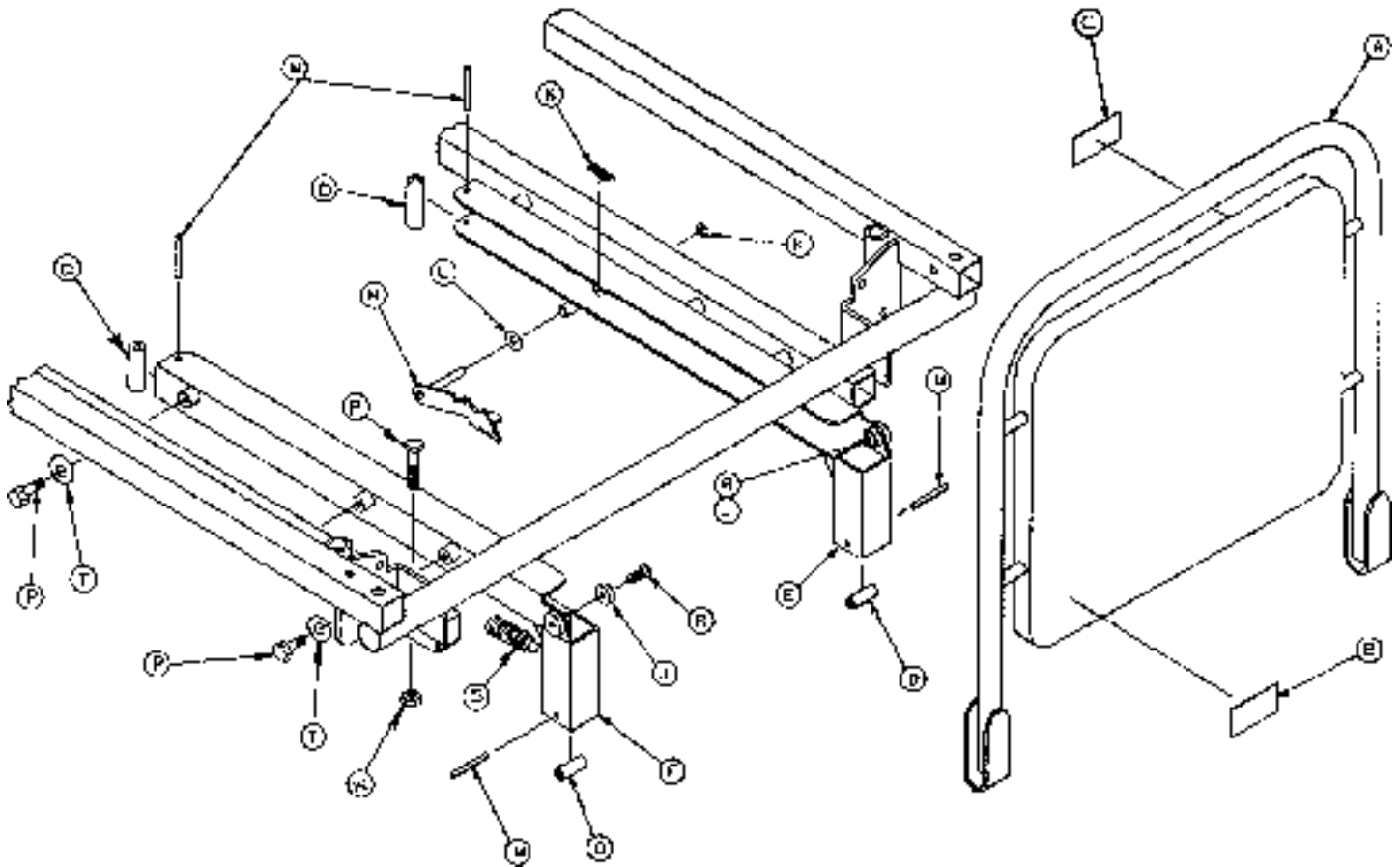
| Item | Part No.    | Part Name                     | Qty. |
|------|-------------|-------------------------------|------|
| A    | 3-355       | Hex Hd. Cap Screw             | 2    |
| B    | 3-356       | Hex Hd. Cap Screw             | 4    |
| C    | 16-118      | Nylock Nut                    | 6    |
| D    | 1211-139-11 | Push Bar Weldment (1001)      | 1    |
|      | 1711-139-11 | Push Bar Weldment (1501)      | 1    |
| E    | 1211-351-4  | P.U.P. Receptacle Wldmt., Lt. | 1    |
| F    | 1211-351-6  | P.U.P. Receptacle Wldmt., Rt. | 1    |

# 1001-42-10 Head Board/Pushbar Ass'y, Fold-to-Head



| Item | Part No.   | Part Name               | Qty. |
|------|------------|-------------------------|------|
| A    | 1001-42-15 | Headboard Assembly      | 1    |
| B    | 1001-42-14 | Specification Label     | 1    |
| C    | 1010-50-57 | Weight Limit Label      | 1    |
| D    | 1066-1-80  | Sound Bumper            | 4    |
| E    | 1001-42-25 | Channel Weldment, Rt.   | 1    |
| F    | 1001-42-26 | Channel Weldment, Lt.   | 1    |
| H    | 1001-42-30 | Lock Assembly           | 1    |
| J    | 1001-42-34 | Spacer Guide            | 2    |
| K    | 28-8       | Snap Ring               | 1    |
| L    | 14-46      | Nylon Washer            | 1    |
| M    | 26-12      | Roll Pin                | 4    |
| N    | 38-274     | Extension Spring        | 1    |
| P    | 3-355      | Hex Hd. Cap Screw       | 6    |
| R    | 4-78       | Hex Soc. Flat Hd. Screw | 2    |
| S    | 21-132     | Spring Plunger          | 1    |
| T    | 14-2       | Washer                  | 4    |
| W    | 16-118     | Nylock Nut              | 2    |

# 1501-42-10 Head Board/Pushbar Ass'y, Fold-to-Head

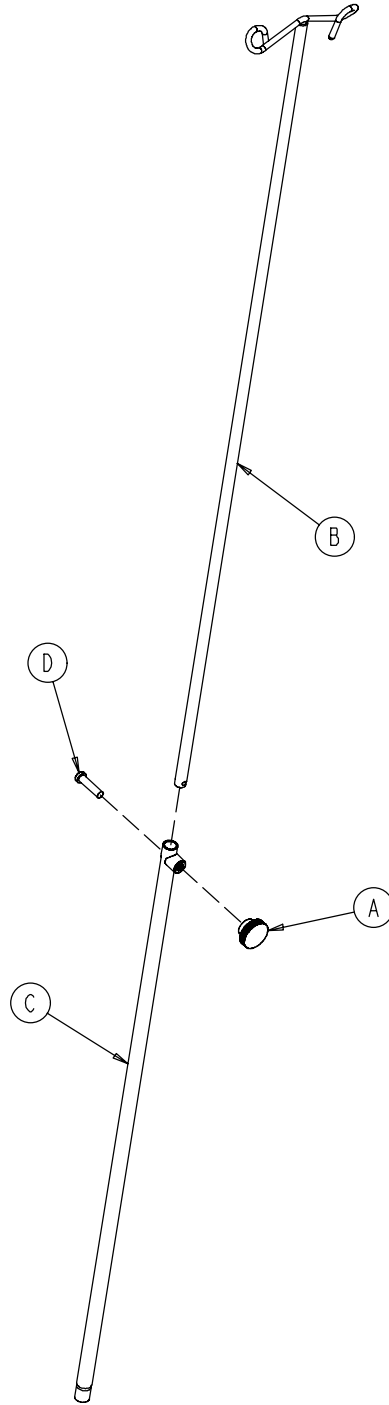


| Item | Part No.   | Part Name               | Qty. |
|------|------------|-------------------------|------|
| A    | 1501-42-15 | Headboard Assembly      | 1    |
| B    | 1501-42-14 | Specification Label     | 1    |
| C    | 1010-50-57 | Weight Limit Label      | 1    |
| D    | 1066-1-80  | Sound Bumper            | 4    |
| E    | 1001-42-25 | Channel Weldment, Rt.   | 1    |
| F    | 1001-42-26 | Channel Weldment, Lt.   | 1    |
| H    | 1001-42-30 | Lock Assembly           | 1    |
| J    | 1001-42-34 | Spacer Guide            | 2    |
| K    | 28-8       | Snap Ring               | 1    |
| L    | 14-46      | Nylon Washer            | 1    |
| M    | 26-12      | Roll Pin                | 4    |
| N    | 38-274     | Extension Spring        | 1    |
| P    | 3-355      | Hex Hd. Cap Screw       | 6    |
| R    | 4-78       | Hex Soc. Flat Hd. Screw | 2    |
| S    | 21-132     | Spring Plunger          | 1    |
| T    | 14-2       | Washer                  | 4    |
| W    | 16-118     | Nylock Nut              | 2    |

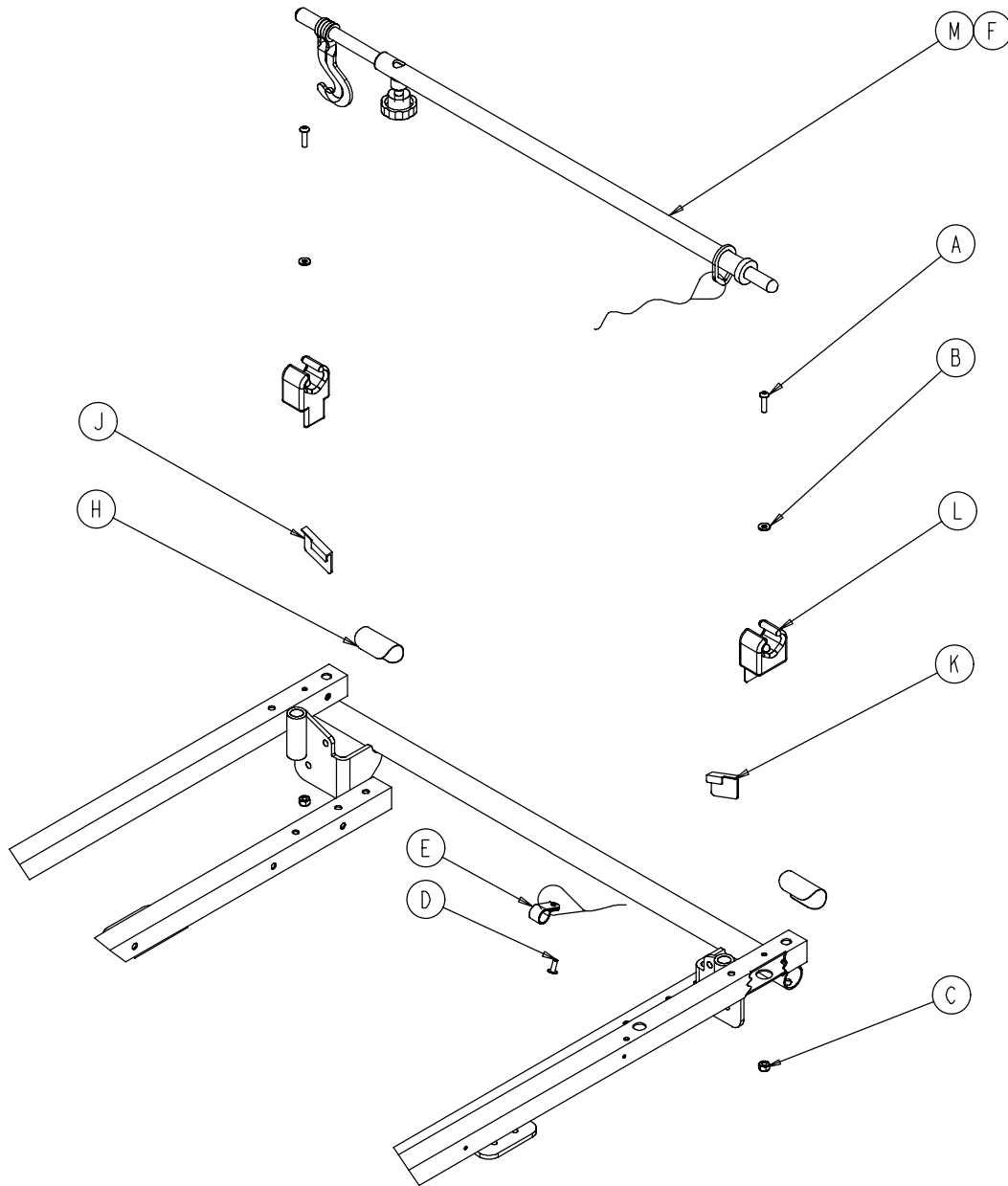
# 390-25 Standard, Removable I.V. Pole Assembly

---

| Item | Part No. | Part Name          | Qty. |
|------|----------|--------------------|------|
| A    | 24-23    | Plastic Knob       | 1    |
| B    | 390-3-53 | Double I.V. Ass'y  | 1    |
| C    | 393-3-43 | Tube Assembly      | 1    |
| D    | 4-496    | Soc. Hd. Cap Screw | 1    |

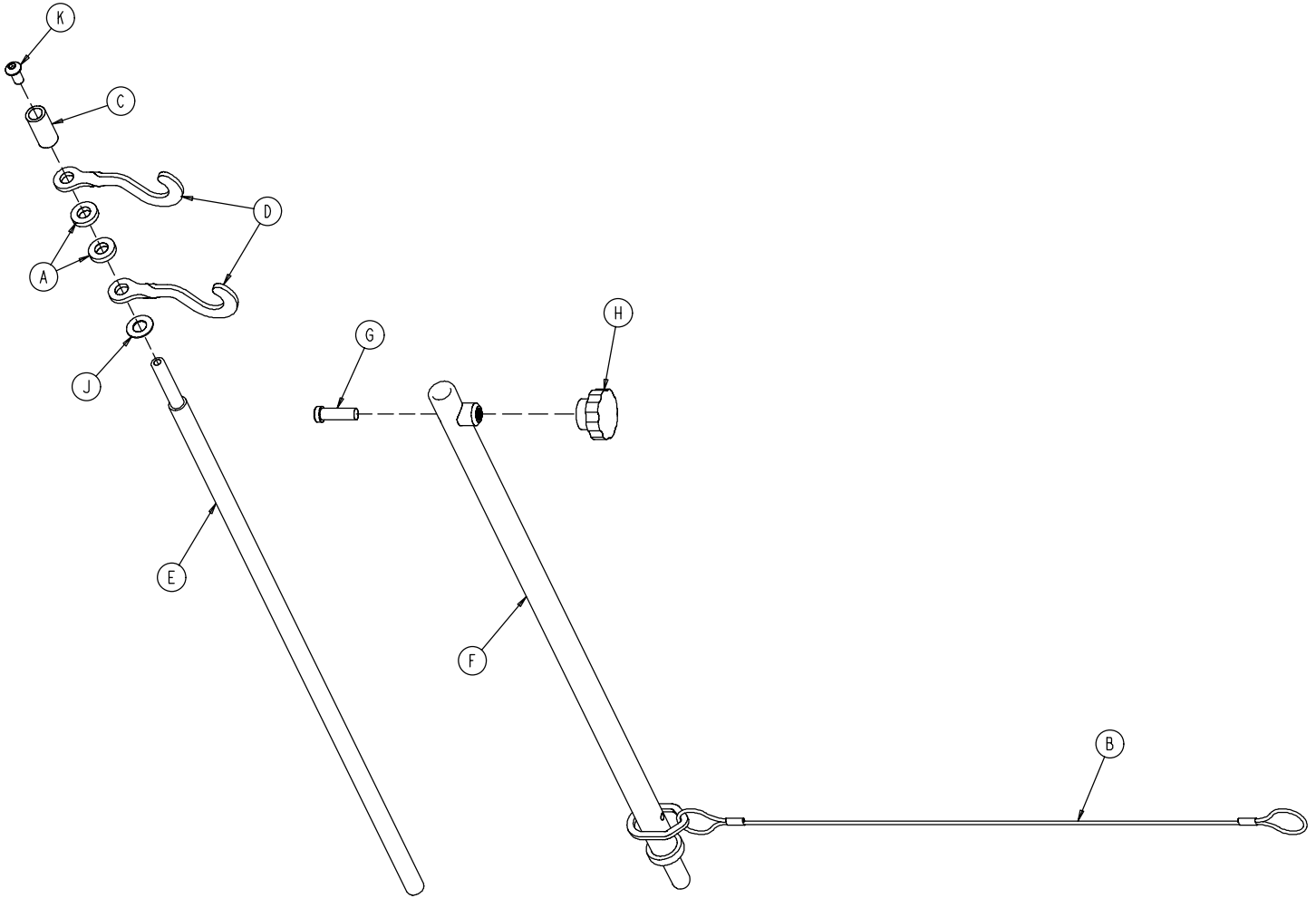


# 1001-117 & 1501-117 Optional Tethered I.V. Assembly



| Item | Part No.     | Part Name                   | Qty. |
|------|--------------|-----------------------------|------|
| A    | 4-107        | Soc. Hd. Cap Screw          | 2    |
| B    | 11-62        | Washer                      | 2    |
| C    | 16-3         | Fiberlock Nut               | 2    |
| D    | 25-179       | Closed End Rivet            | 1    |
| E    | 34-22        | Cord Clamp                  | 1    |
| F    | 52-15        | Spacer                      | 1    |
| H    | 1001-1-56    | Round Hook Protector        | 2    |
| J    | 1001-1-57    | Hook Protector, Left        | 1    |
| K    | 1001-1-58    | Hook Protector, Right       | 1    |
| L    | 1001-59-12   | I.V. Clip                   | 2    |
| M    | (page 112.2) | Tethered I.V. Pole Assembly | 1    |

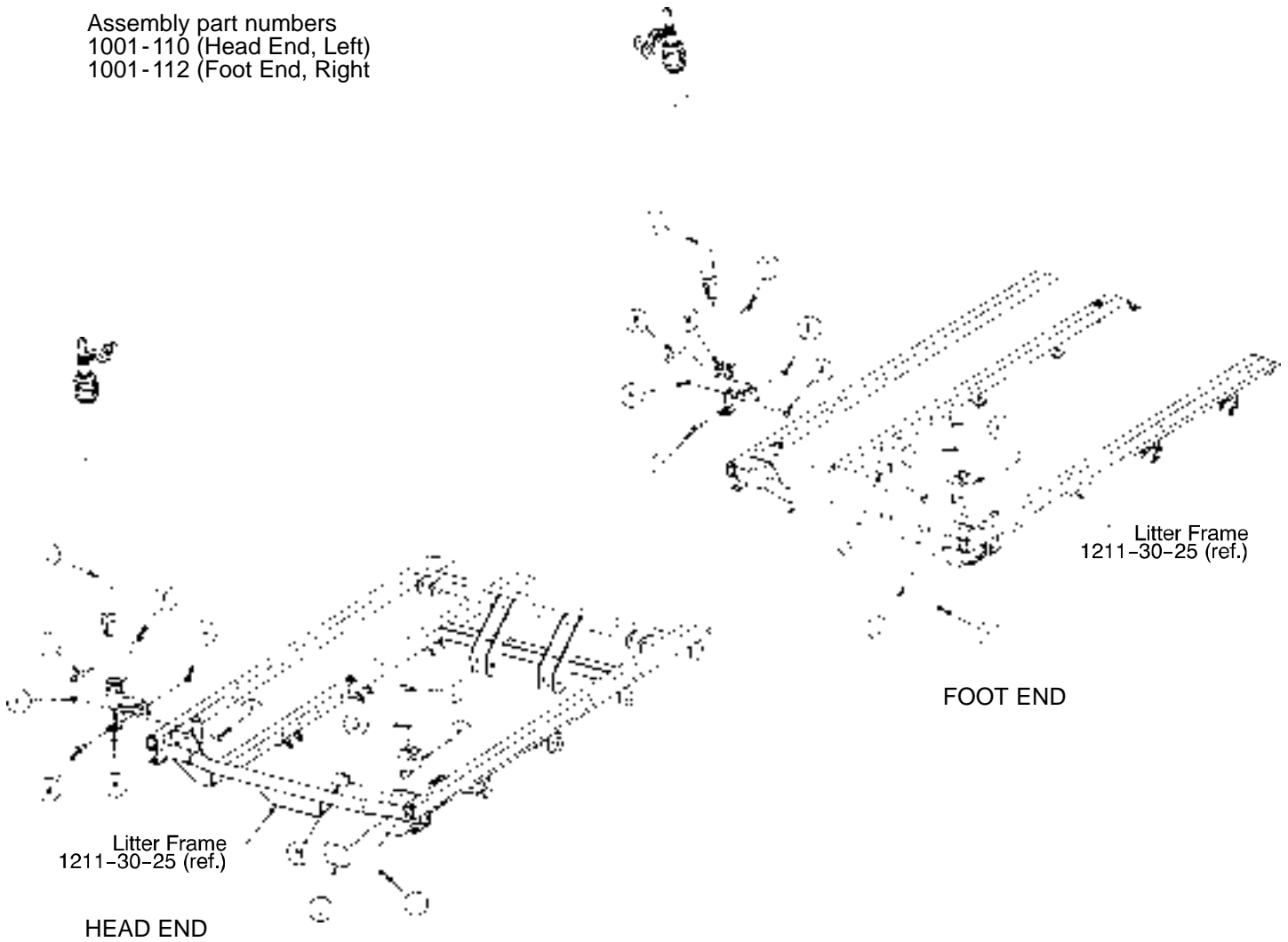
# 1211-117-10 Tethered I.V. Pole Assembly



| Item | Part No.    | Part Name                  | Qty. |
|------|-------------|----------------------------|------|
| A    | 52-17       | Spacer                     | 2    |
| B    | 1211-117-20 | Cable Assembly             | 1    |
| C    | 926-400-62  | Stop Sleeve                | 1    |
| D    | 1010-59-16  | I.V. Hook                  | 2    |
| E    | 1211-117-11 | Extension Rod              | 1    |
| F    | 1211-117-12 | Base Tube Weldment         | 1    |
| G    | 4-495       | Low Hd. Soc. Hd. Cap Screw | 1    |
| H    | 1211-117-16 | Knob                       | 1    |
| J    | 14-20       | Nylon Washer               | 1    |
| K    | 4-232       | Button Hd. Cap Screw       | 1    |

# 1001 Optional 2-Stage I.V. Pole Mounting Assembly (Used on litters with fold-to-foot siderails)

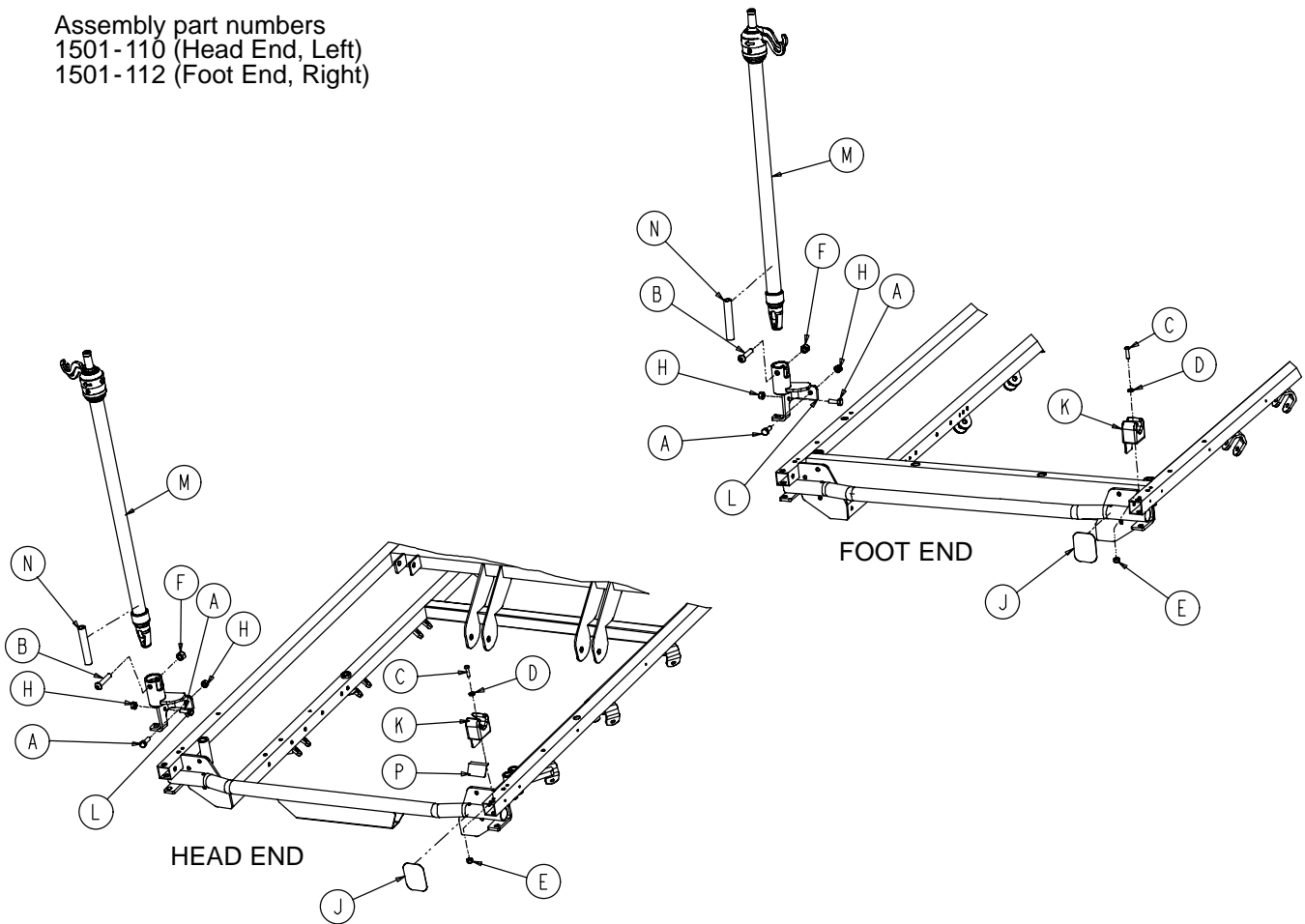
Assembly part numbers  
 1001-110 (Head End, Left)  
 1001-112 (Foot End, Right)



| Item | Part No.     | Part Name            | Qty. |
|------|--------------|----------------------|------|
| A    | 3-356        | Hex Hd. Cap Screw    | 2    |
| B    | 4-452        | But. Hd. Cap Screw   | 1    |
| C    | 4-169        | But. Hd. Cap Screw   | 1    |
| D    | 11-62        | Washer               | 1    |
| E    | 16-121       | Fiberlock Nut        | 1    |
| F    | 16-116       | Center Lock Nut      | 1    |
| H    | 16-118       | Fiberlock Nut        | 2    |
| J    | 1001-1-56    | Round Hook Protector | 1    |
| K    | 1001-59-12   | I.V. Clip            | 1    |
| L    | (page 119)   | I.V. Pole Assembly   | 1    |
| M    | 1211-310-112 | I.V. Pivot Weldment  | 1    |
| N    | 1001-1-58    | Hook Protector       | 1    |

# 1501 Optional 2-Stage I.V. Pole Mounting Assembly (Used on litters with fold-to-foot siderails)

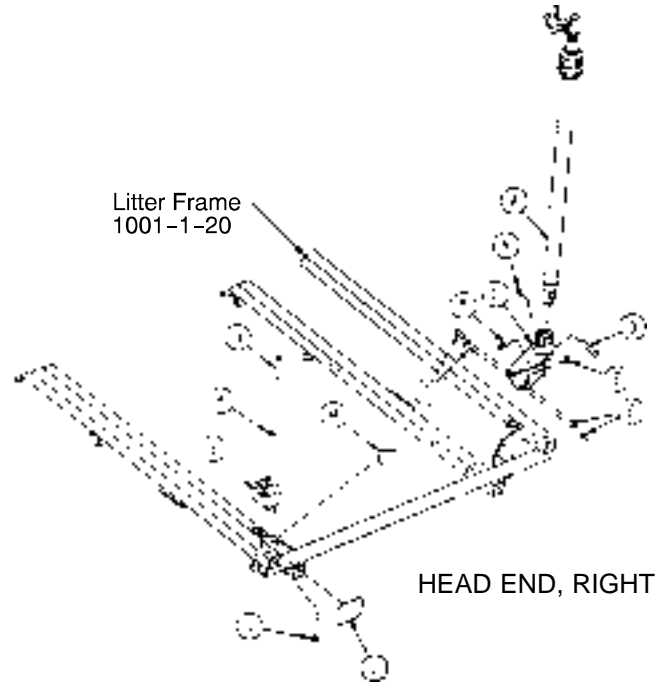
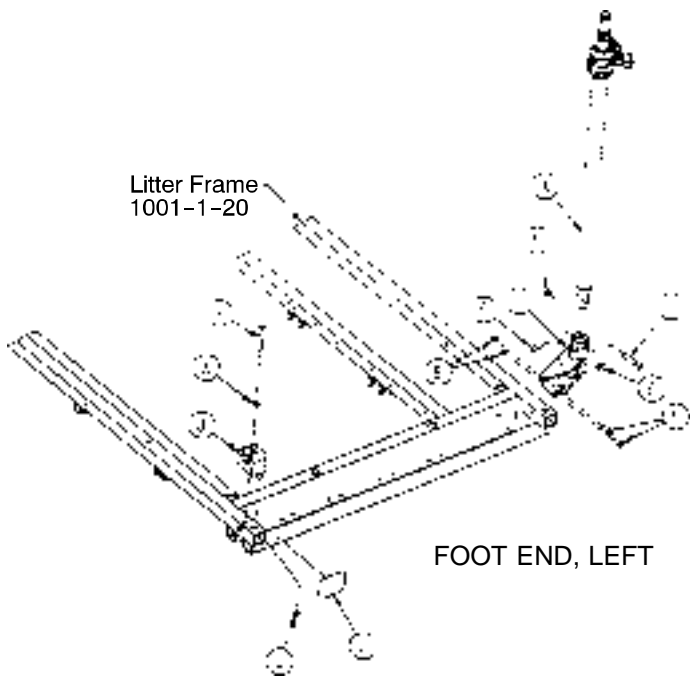
Assembly part numbers  
 1501-110 (Head End, Left)  
 1501-112 (Foot End, Right)



| Item | Part No.     | Part Name             | Qty. |
|------|--------------|-----------------------|------|
| A    | 3-356        | Hex Hd. Cap Screw     | 2    |
| B    | 4-452        | But. Hd. Cap Screw    | 1    |
| C    | 4-169        | But. Hd. Cap Screw    | 1    |
| D    | 11-16        | Washer                | 1    |
| E    | 16-3         | Fiberlock Nut         | 1    |
| F    | 16-116       | Center Lock Nut       | 1    |
| H    | 16-118       | Fiberlock Nut         | 2    |
| J    | 1001-1-56    | Round Hook Protector  | 1    |
| K    | 1001-59-12   | I.V. Clip             | 1    |
| L    | 1211-310-112 | I.V. Pivot Weldment   | 1    |
| M    | (page 119)   | I.V. Pole Assembly    | 1    |
| N    | 1501-127-19  | I.V. Plug             | 1    |
| P    | 1001-1-58    | Hook Protector, Right | 1    |

# 1001 Optional 2-Stage I.V. Pole Mounting Assembly (Used on litters with fold-to-head siderails)

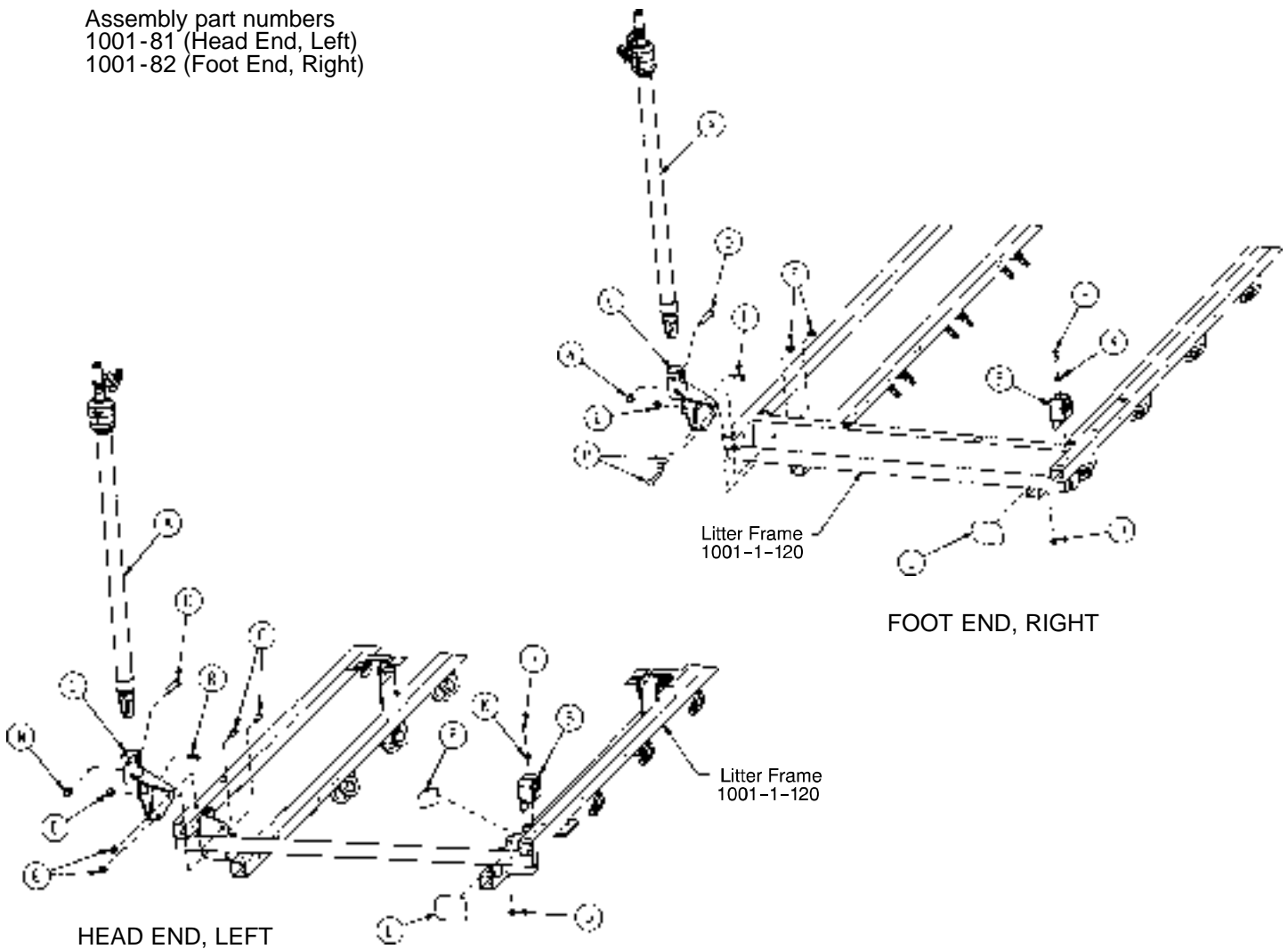
Assembly part numbers  
1001-80 (Foot End, Left)  
1001-83 (Head End, Right)



| Item | Part No.     | Part Name            | Qty. | Item | Part No.     | Part Name            | Qty. |
|------|--------------|----------------------|------|------|--------------|----------------------|------|
| A    | (page 119)   | I.V. Pole Assembly   | 1    | A    | (page 119)   | I.V. Pole Assembly   | 1    |
| B    | 1001-59-12   | I.V. Clip            | 1    | B    | 1001-59-12   | I.V. Clip            | 1    |
| C    | 1001-259-121 | Pivot Weldment       | 1    | C    | 1001-259-121 | Pivot Weldment       | 1    |
| D    | 4-452        | But. Hd. Cap Screw   | 1    | D    | 4-452        | But. Hd. Cap Screw   | 1    |
| E    | 16-118       | Nylock Hex Nut       | 3    | E    | 16-118       | Nylock Hex Nut       | 3    |
| F    | 4-156        | But. Hd. Cap Screw   | 1    | F    | 4-161        | Button Hd. Cap Screw | 2    |
| H    | 4-456        | Soc. Hd. Cap Screw   | 1    | H    | 4-456        | Soc. Hd. Cap Screw   | 1    |
| J    | 16-121       | Fiberlock Hex Nut    | 1    | J    | 16-121       | Fiberlock Hex Nut    | 1    |
| K    | 11-62        | Washer               | 1    | K    | 11-62        | Washer               | 1    |
| L    | 1001-1-56    | Round Hook Protector | 1    | L    | 1001-1-56    | Round Hook Protector | 1    |
| N    | 16-116       | Fiberlock Nut        | 1    | M    | 1001-1-57    | Hook Protector, Left | 1    |
| P    | 3-355        | Hex Hd. Cap Screw    | 2    | N    | 16-116       | Fiberlock Nut        | 1    |
|      |              |                      |      | P    | 4-156        | But. Hd. Cap Screw   | 1    |

# 1001 Optional 2-Stage I.V. Pole Mounting Assembly (Used on litters with fold-to-head siderails)

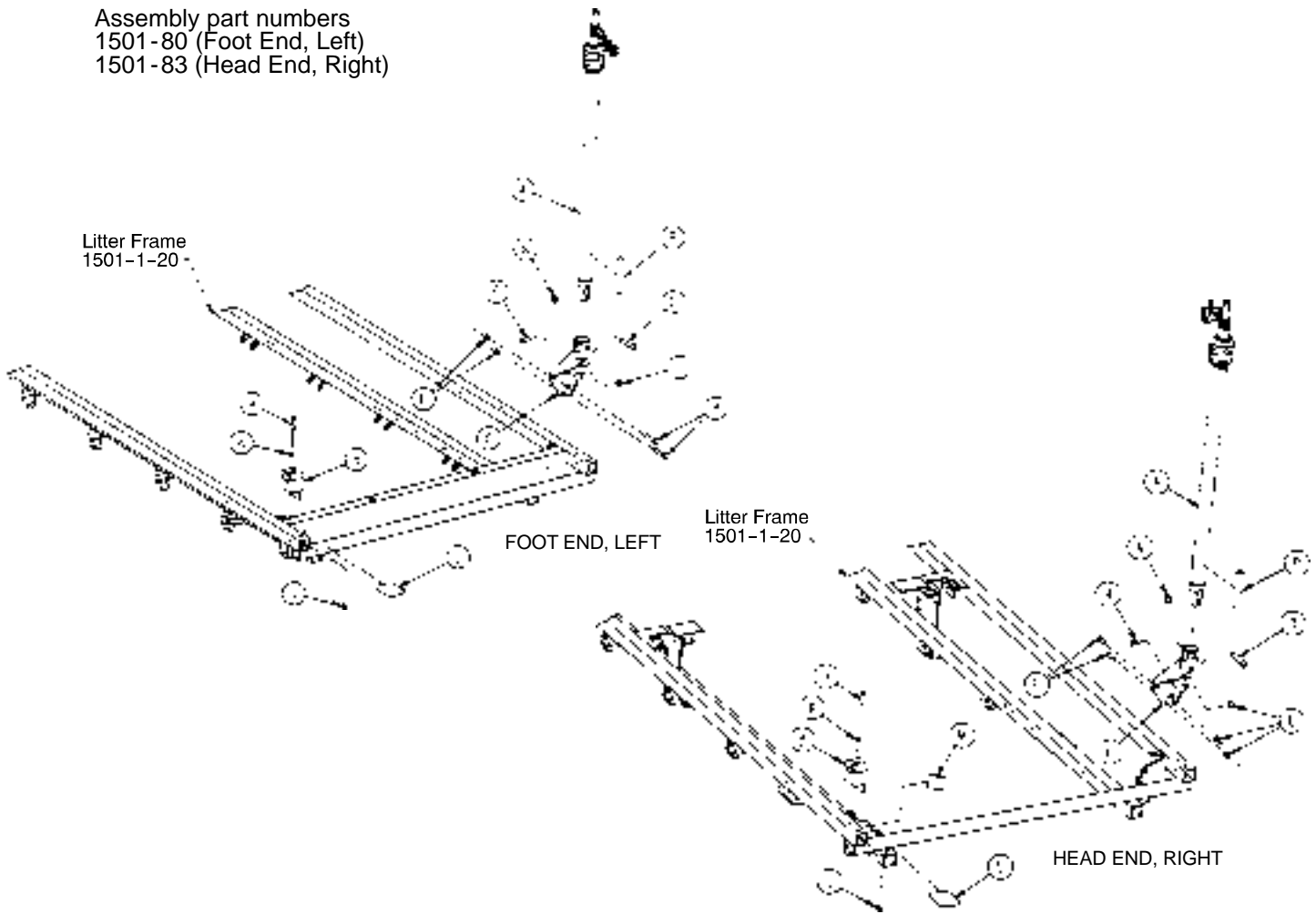
Assembly part numbers  
1001-81 (Head End, Left)  
1001-82 (Foot End, Right)



| Item | Part No.     | Part Name            | Qty. | Item | Part No.     | Part Name            | Qty. |
|------|--------------|----------------------|------|------|--------------|----------------------|------|
| A    | (page 119)   | I.V. Pole Assembly   | 1    | A    | (page 119)   | I.V. Pole Assembly   | 1    |
| B    | 1001-59-12   | I.V. Clip            | 1    | B    | 1001-59-12   | I.V. Clip            | 1    |
| C    | 1001-259-122 | Pivot Weldment       | 1    | C    | 1001-259-122 | Pivot Weldment       | 1    |
| D    | 4-452        | But. Hd. Cap Screw   | 1    | D    | 4-452        | But. Hd. Cap Screw   | 1    |
| E    | 16-118       | Nylock Hex Nut       | 3    | E    | 16-118       | Nylock Hex Nut       | 3    |
| F    | 4-161        | Button Hd. Cap Screw | 2    | F    | 4-156        | Button Hd. Cap Screw | 1    |
| H    | 4-456        | Soc. Hd. Cap Screw   | 1    | H    | 4-456        | Soc. Hd. Cap Screw   | 1    |
| J    | 16-121       | Fiberlock Hex Nut    | 1    | J    | 16-121       | Fiberlock Hex Nut    | 1    |
| K    | 11-62        | Washer               | 1    | K    | 11-62        | Washer               | 1    |
| L    | 1001-1-56    | Round Hook Protector | 1    | L    | 1001-1-56    | Round Hook Protector | 1    |
| N    | 16-116       | Fiberlock Nut        | 1    | N    | 16-116       | Fiberlock Nut        | 1    |
| P    | 1001-1-58    | Hook Protector       | 1    | P    | 3-355        | Hex Hd. Cap Screw    | 2    |
| R    | 4-156        | But. Hd. Cap Screw   | 1    |      |              |                      |      |

# 1501 Optional 2-Stage I.V. Pole Mounting Assembly (Used on litters with fold-to-head siderails)

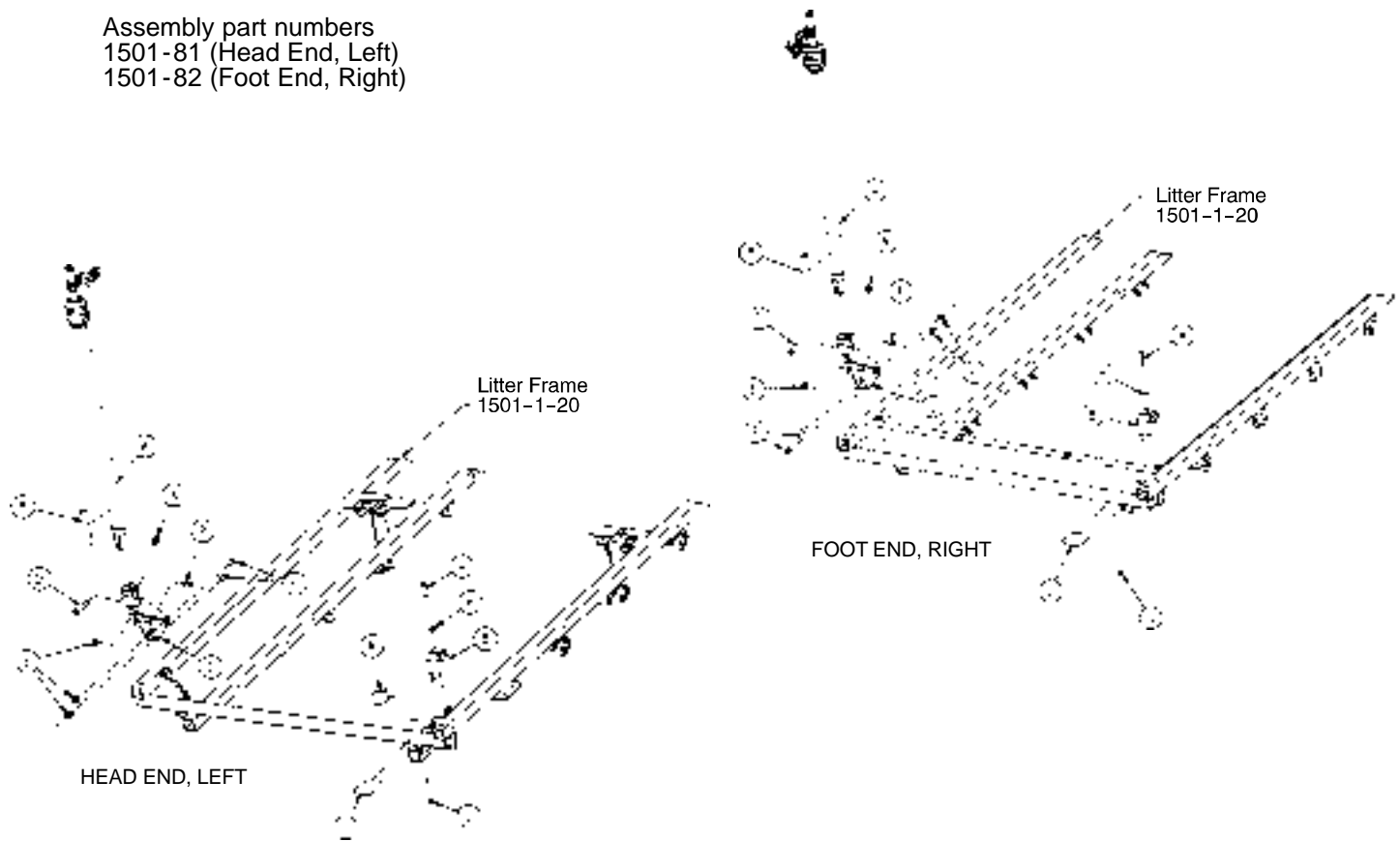
Assembly part numbers  
1501-80 (Foot End, Left)  
1501-83 (Head End, Right)



| Item | Part No.     | Part Name            | Qty. | Item | Part No.     | Part Name            | Qty. |
|------|--------------|----------------------|------|------|--------------|----------------------|------|
| A    | (page 119)   | I.V. Pole Assembly   | 1    | A    | (page 119)   | I.V. Pole Assembly   | 1    |
| B    | 1001-59-12   | I.V. Clip            | 1    | B    | 1001-59-12   | I.V. Clip            | 1    |
| C    | 1001-259-121 | I.V. Pivot           | 1    | C    | 1001-259-121 | I.V. Pivot           | 1    |
| D    | 4-199        | But. Hd. Cap Screw   | 1    | D    | 4-199        | But. Hd. Cap Screw   | 1    |
| E    | 16-28        | Nylock Hex Nut       | 3    | E    | 16-28        | Nylock Hex Nut       | 3    |
| F    | 4-156        | Button Hd. Cap Screw | 3    | F    | 4-161        | But. Hd. Cap Screw   | 2    |
| H    | 4-456        | Soc. Hd. Cap Screw   | 1    | H    | 4-456        | Soc. Hd. Cap Screw   | 1    |
| J    | 16-3         | Fiberlock Hex Nut    | 1    | J    | 16-3         | Fiberlock Hex Nut    | 1    |
| K    | 11-16        | Washer               | 1    | K    | 11-16        | Washer               | 1    |
| L    | 1001-1-56    | Round Hook Protector | 1    | L    | 1001-1-56    | Round Hook Protector | 1    |
| N    | 16-11        | Flexlock Nut         | 1    | M    | 1001-1-57    | Hook Protector, Lt.  | 1    |
| P    | 1501-27-19   | I.V. Plug            | 1    | N    | 16-11        | Flexlock Nut         | 1    |
| R    | 3-47         | Hex Hd. Cap Screw    | 2    | P    | 1501-27-19   | I.V. Plug            | 1    |
|      |              |                      |      | R    | 4-156        | But. Hd. Cap Screw   | 2    |

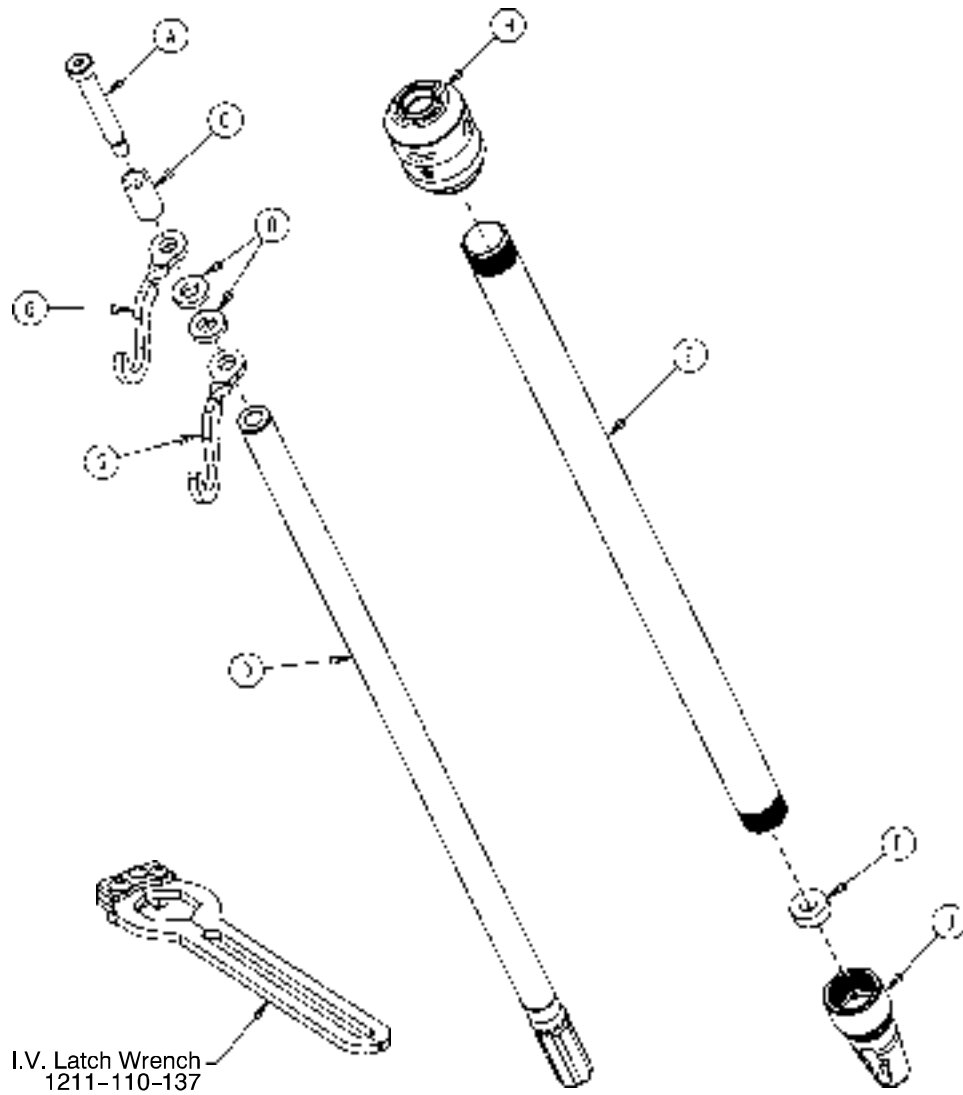
# 1501 2-Stage I.V. Pole Mounting Assembly (Used on litters with fold-to-head siderails)

Assembly part numbers  
1501-81 (Head End, Left)  
1501-82 (Foot End, Right)



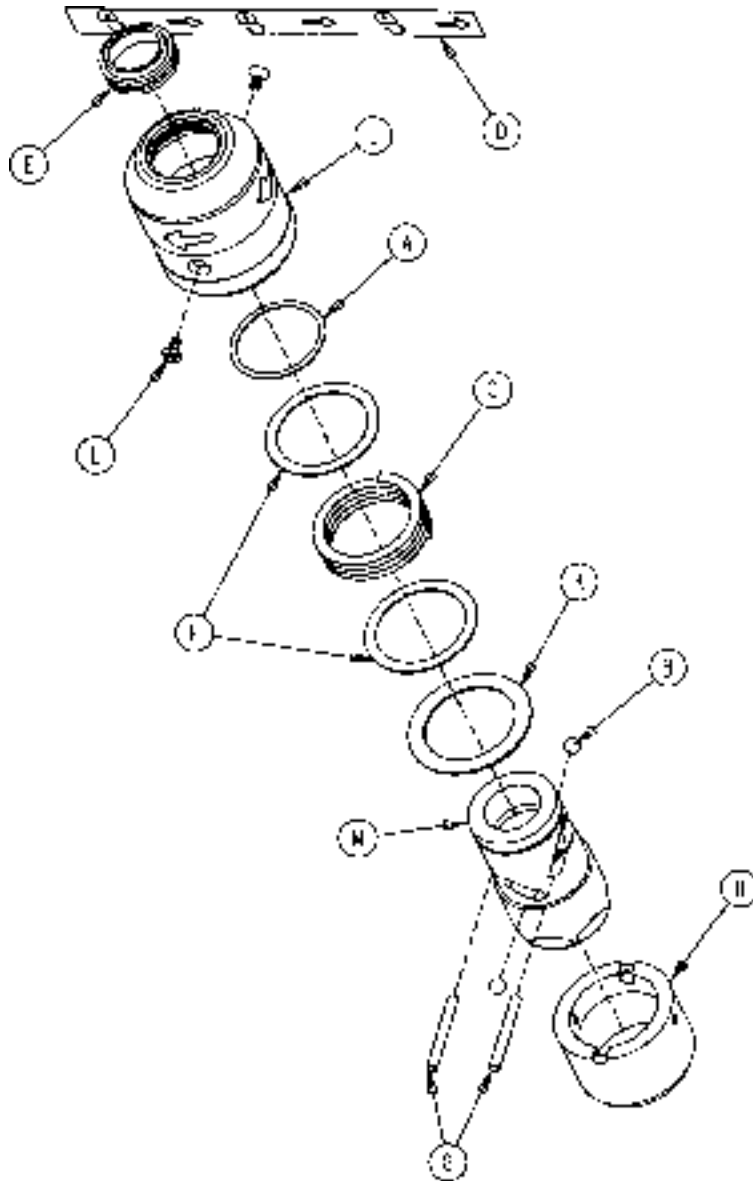
| Item | Part No.     | Part Name            | Qty. | Item | Part No.     | Part Name            | Qty. |
|------|--------------|----------------------|------|------|--------------|----------------------|------|
| A    | (page 119)   | I.V. Pole Assembly   | 1    | A    | (page 119)   | I.V. Pole Assembly   | 1    |
| B    | 1001-59-12   | I.V. Clip            | 1    | B    | 1001-59-12   | I.V. Clip            | 1    |
| C    | 1001-259-122 | I.V. Pivot           | 1    | C    | 1001-259-122 | I.V. Pivot           | 1    |
| D    | 4-452        | But. Hd. Cap Screw   | 1    | D    | 4-452        | But. Hd. Cap Screw   | 1    |
| E    | 16-118       | Nylock Hex Nut       | 3    | E    | 16-118       | Nylock Hex Nut       | 3    |
| F    | 4-161        | Button Hd. Cap Screw | 2    | F    | 4-156        | Button Hd. Cap Screw | 1    |
| H    | 4-456        | Soc. Hd. Cap Screw   | 1    | H    | 4-456        | Soc. Hd. Cap Screw   | 1    |
| J    | 16-3         | Fiberlock Hex Nut    | 1    | J    | 16-3         | Fiberlock Hex Nut    | 1    |
| K    | 11-62        | Washer               | 1    | K    | 11-62        | Washer               | 1    |
| L    | 1001-1-56    | Round Hook Protector | 1    | L    | 1001-1-56    | Round Hook Protector | 1    |
| M    | 1001-1-58    | Hook Protector, Rt.  | 1    | N    | 16-116       | Flexlock Nut         | 1    |
| N    | 16-116       | Flexlock Nut         | 1    | P    | 1501-127-19  | I.V. Plug            | 1    |
| P    | 1501-127-19  | I.V. Plug            | 1    | R    | 3-355        | Hex Hd. Cap Screw    | 2    |
| R    | 4-156        | But. Hd. Cap Screw   | 1    |      |              |                      |      |

# 1211-210-10 Optional 2-Stage I.V. Pole Assembly



| Item | Part No.     | Part Name          | Qty. |
|------|--------------|--------------------|------|
| A    | 8-31         | Soc. Hd. Cap Screw | 1    |
| B    | 52-17        | Washer             | 2    |
| C    | 926-400-162  | Spacer             | 1    |
| D    | 1211-210-29  | 2nd Stage Assembly | 1    |
| E    | 1001-359-13  | Dampener           | 1    |
| F    | 1001-159-28  | Base Tube          | 1    |
| G    | 1010-259-16  | I.V. Hook          | 2    |
| H    | (page 120)   | I.V. Pole Latch    | 1    |
| J    | 1001-359-112 | Pivot              | 1    |

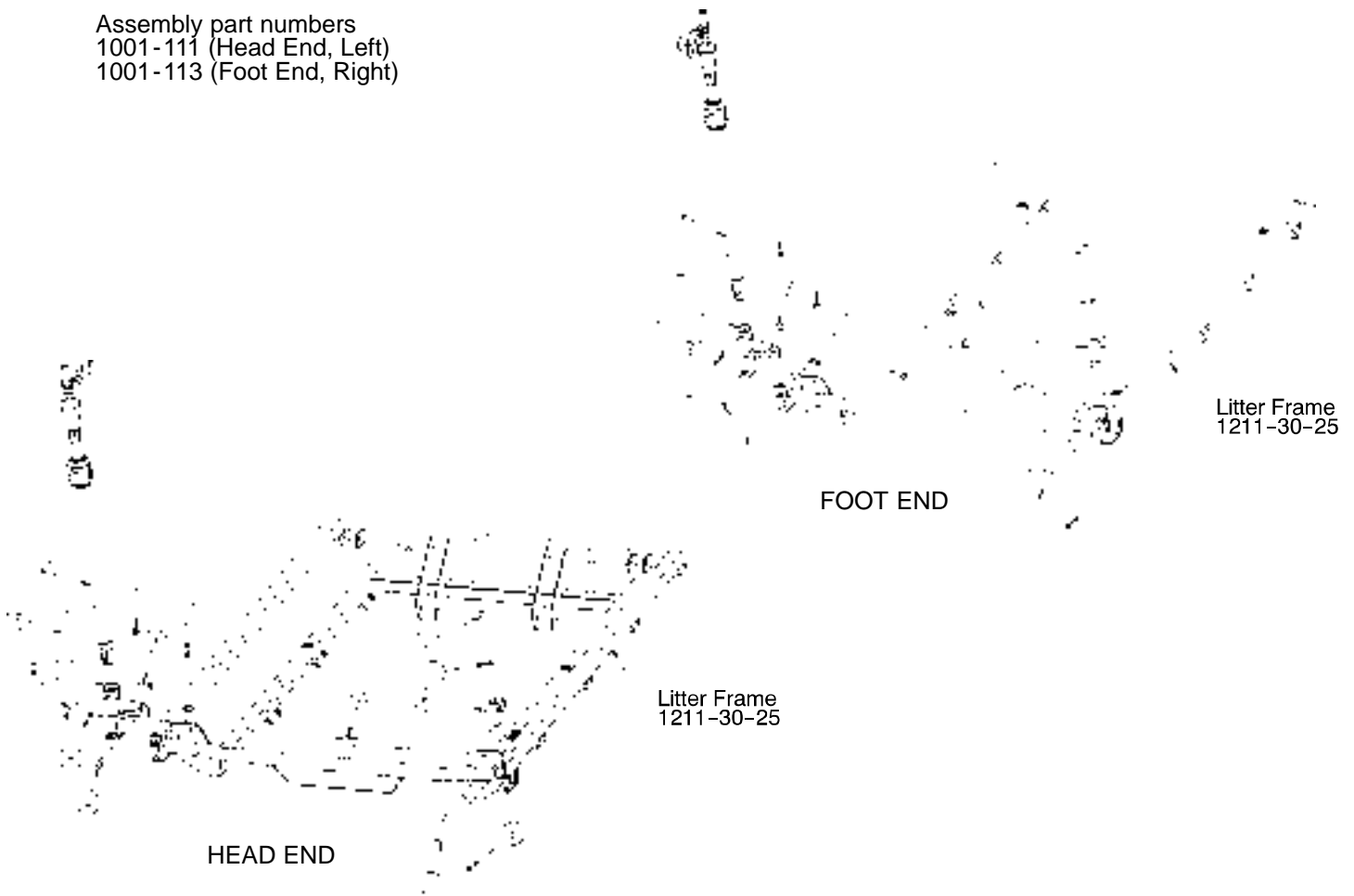
# 1211-210-26 Optional I.V. Pole Latch Assembly



| Item | Part No.    | Part Name               | Qty. |
|------|-------------|-------------------------|------|
| A    | 28-167      | Retaining Ring          | 1    |
| B    | 31-4        | Steel Ball              | 2    |
| C    | 38-392      | Crest-to-Crest Spring   | 1    |
| D    | 1211-91-34  | Release Label           | 1    |
| E    | 1211-110-18 | I.V. Latch Seal         | 1    |
| F    | 1211-110-20 | Washer                  | 2    |
| G    | 1211-110-21 | I.V. Latch Locking Pin  | 2    |
| H    | 1211-110-22 | I.V. Latch Guide        | 1    |
| J    | 1211-110-24 | I.V. Latch O.D. Housing | 1    |
| K    | 1211-110-35 | Washer                  | 1    |
| L    | 1211-110-36 | Self-Tapping Screw      | 2    |
| M    | 1211-210-23 | I.V. Latch I.D. Housing | 1    |

# 1001 Optional 3-Stage I.V. Pole Mounting Assembly (Used on litters with fold-to-foot siderails)

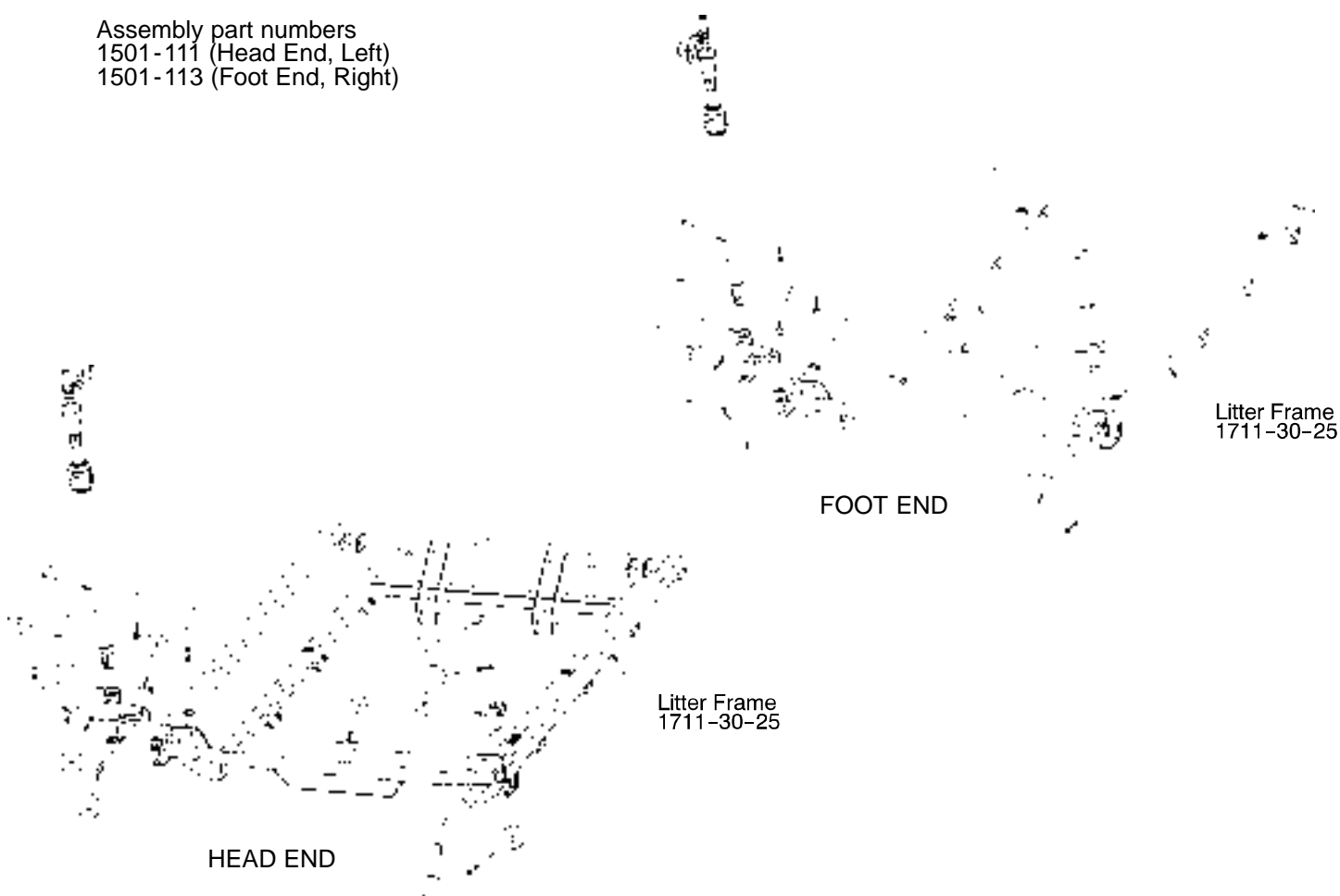
Assembly part numbers  
 1001-111 (Head End, Left)  
 1001-113 (Foot End, Right)



| Item | Part No.     | Part Name            | Qty. |
|------|--------------|----------------------|------|
| A    | 3-356        | Hex Hd. Cap Screw    | 2    |
| B    | 4-452        | But. Hd. Cap Screw   | 1    |
| C    | 4-169        | But. Hd. Cap Screw   | 1    |
| D    | 11-62        | Washer               | 1    |
| E    | 16-121       | Fiberlock Nut        | 1    |
| F    | 16-116       | Flexlock Nut         | 1    |
| H    | 16-118       | Fiberlock Nut        | 2    |
| J    | 1001-1-56    | Round Hook Protector | 1    |
| K    | 1001-59-12   | I.V. Clip            | 1    |
| L    | 1211-310-112 | I.V. Pivot           | 1    |
| M    | (page 125)   | I.V. Pole Assembly   | 1    |
| N    | 1001-1-58    | Hook Protector       | 1    |

# 1501 Optional 3-Stage I.V. Pole Mounting Assembly (Used on litters with fold-to-foot siderails)

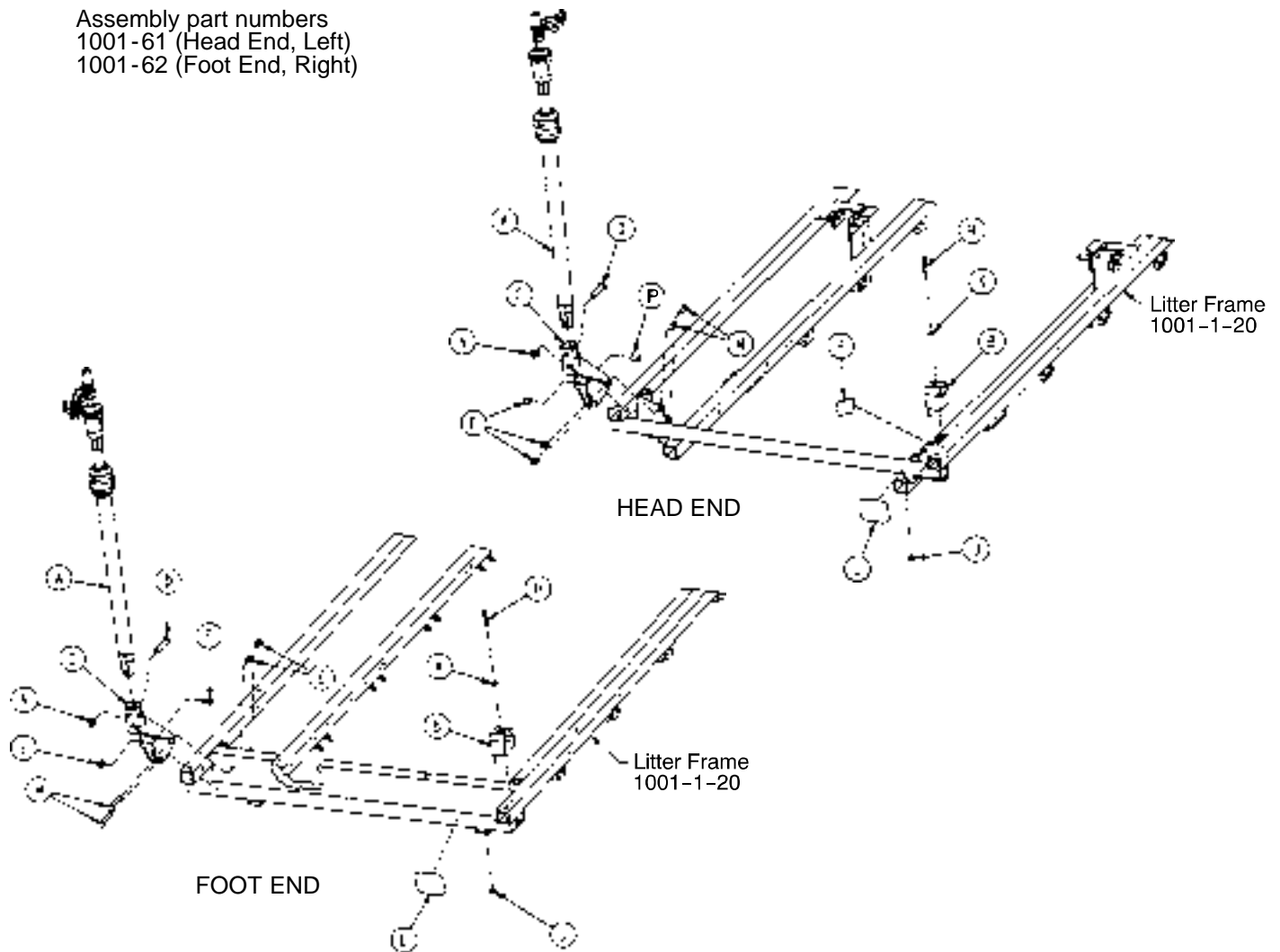
Assembly part numbers  
 1501-111 (Head End, Left)  
 1501-113 (Foot End, Right)



| Item | Part No.     | Part Name            | Qty. |
|------|--------------|----------------------|------|
| A    | 3-356        | Hex Hd. Cap Screw    | 2    |
| B    | 4-452        | But. Hd. Cap Screw   | 1    |
| C    | 4-169        | But. Hd. Cap Screw   | 1    |
| D    | 11-16        | Washer               | 1    |
| E    | 16-3         | Fiberlock Nut        | 1    |
| F    | 16-116       | Center Lock Nut      | 1    |
| H    | 16-118       | Fiberlock Nut        | 2    |
| J    | 1001-1-56    | Round Hook Protector | 1    |
| K    | 1001-59-12   | I.V. Clip            | 1    |
| L    | 1211-110-112 | I.V. Pivot           | 1    |
| M    | (page 125)   | I.V. Pole Assembly   | 1    |
| N    | 1001-1-58    | Hook Protector       | 1    |
| P    | 1501-127-19  | Plug                 | 1    |

# Optional 3-Stage I.V. Pole Mounting Assembly (Used on litters with fold-to-head siderails)

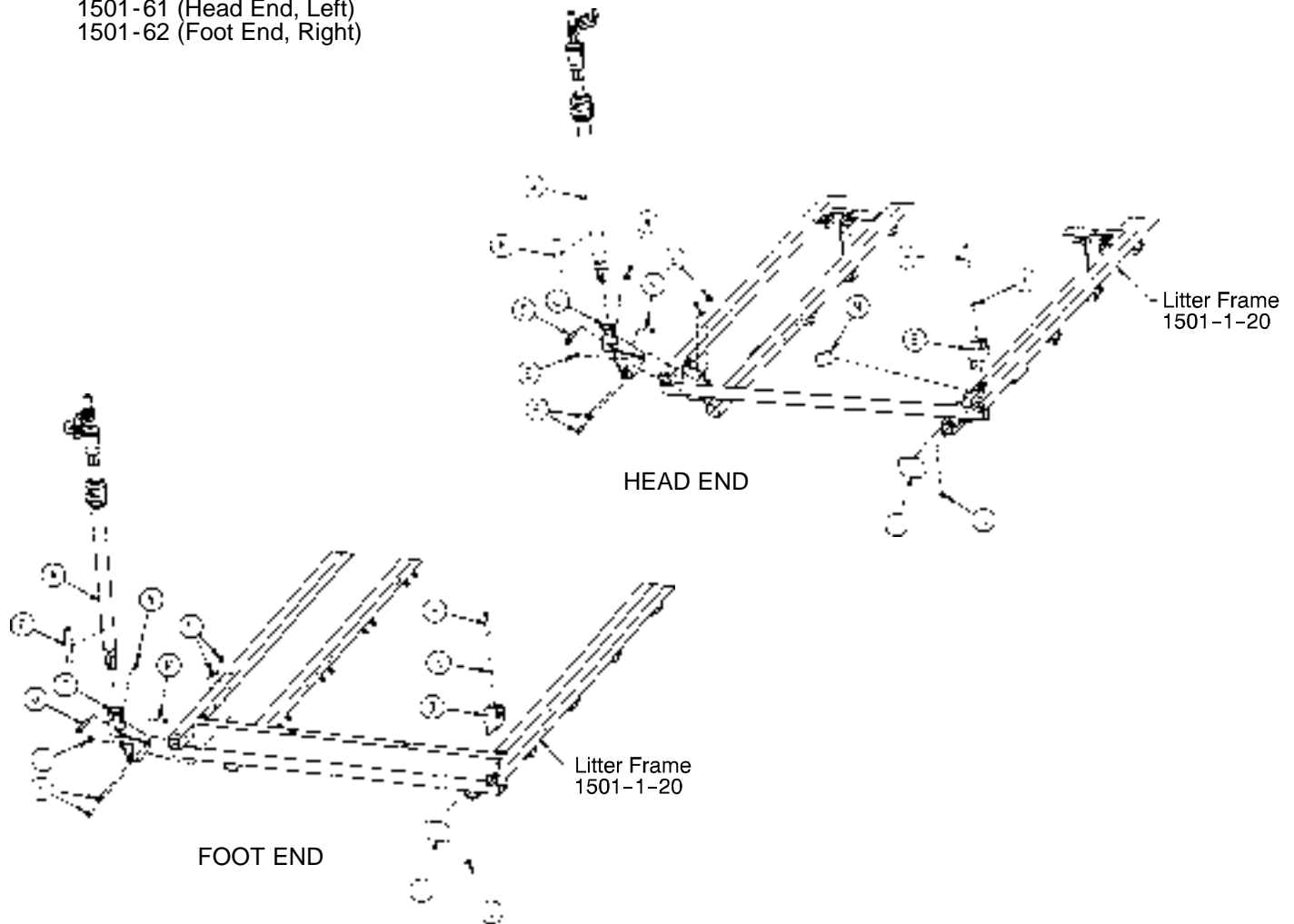
Assembly part numbers  
1001-61 (Head End, Left)  
1001-62 (Foot End, Right)



| Item | Part No.     | Part Name             | Qty. | Item | Part No.     | Part Name            | Qty. |
|------|--------------|-----------------------|------|------|--------------|----------------------|------|
| A    | (page 125)   | I.V. Pole Assembly    | 1    | A    | (page 125)   | I.V. Pole Assembly   | 1    |
| B    | 1001-59-12   | I.V. Clip             | 1    | B    | 1001-59-12   | I.V. Clip            | 1    |
| C    | 1001-259-122 | I.V. Pivot            | 1    | C    | 1001-259-122 | I.V. Pivot           | 1    |
| D    | 4-452        | But. Hd. Cap Screw    | 1    | D    | 4-452        | But. Hd. Cap Screw   | 1    |
| E    | 16-118       | Stover Lock Nut       | 3    | E    | 16-118       | Stover Lock Nut      | 3    |
| F    | 4-156        | But. Hd. Cap Screw    | 1    | F    | 4-156        | Button Hd. Cap Screw | 1    |
| H    | 4-456        | Soc. Hd. Cap Screw    | 1    | H    | 4-456        | Soc. Hd. Cap Screw   | 1    |
| J    | 16-121       | Fiberlock Hex Nut     | 1    | J    | 16-121       | Fiberlock Hex Nut    | 1    |
| K    | 11-62        | Washer                | 1    | K    | 11-62        | Washer               | 1    |
| L    | 1001-1-56    | Round Hook Protector  | 1    | L    | 1001-1-56    | Round Hook Protector | 1    |
| M    | 4-161        | Button Hd. Cap Screw  | 2    | M    | 3-355        | Hex Hd. Cap Screw    | 2    |
| N    | 16-116       | Flexlock Nut          | 1    | N    | 16-116       | Flexlock Nut         | 1    |
| R    | 1001-1-58    | Hook Protector, Right | 1    |      |              |                      |      |

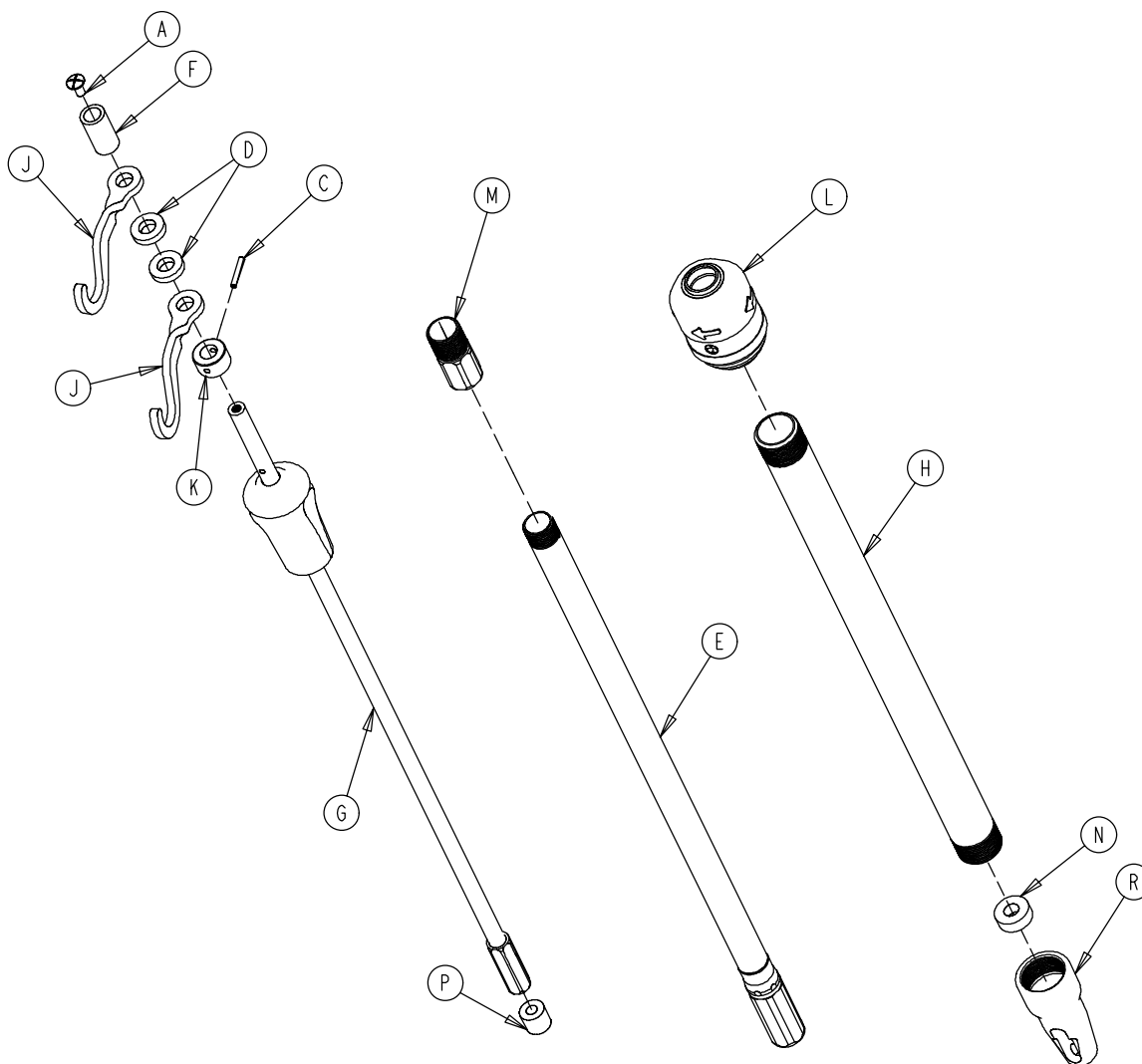
# 1501 Optional 3-Stage I.V. Pole Mounting Assembly (Used on litters with fold-to-head siderails)

Assembly part numbers  
 1501-61 (Head End, Left)  
 1501-62 (Foot End, Right)



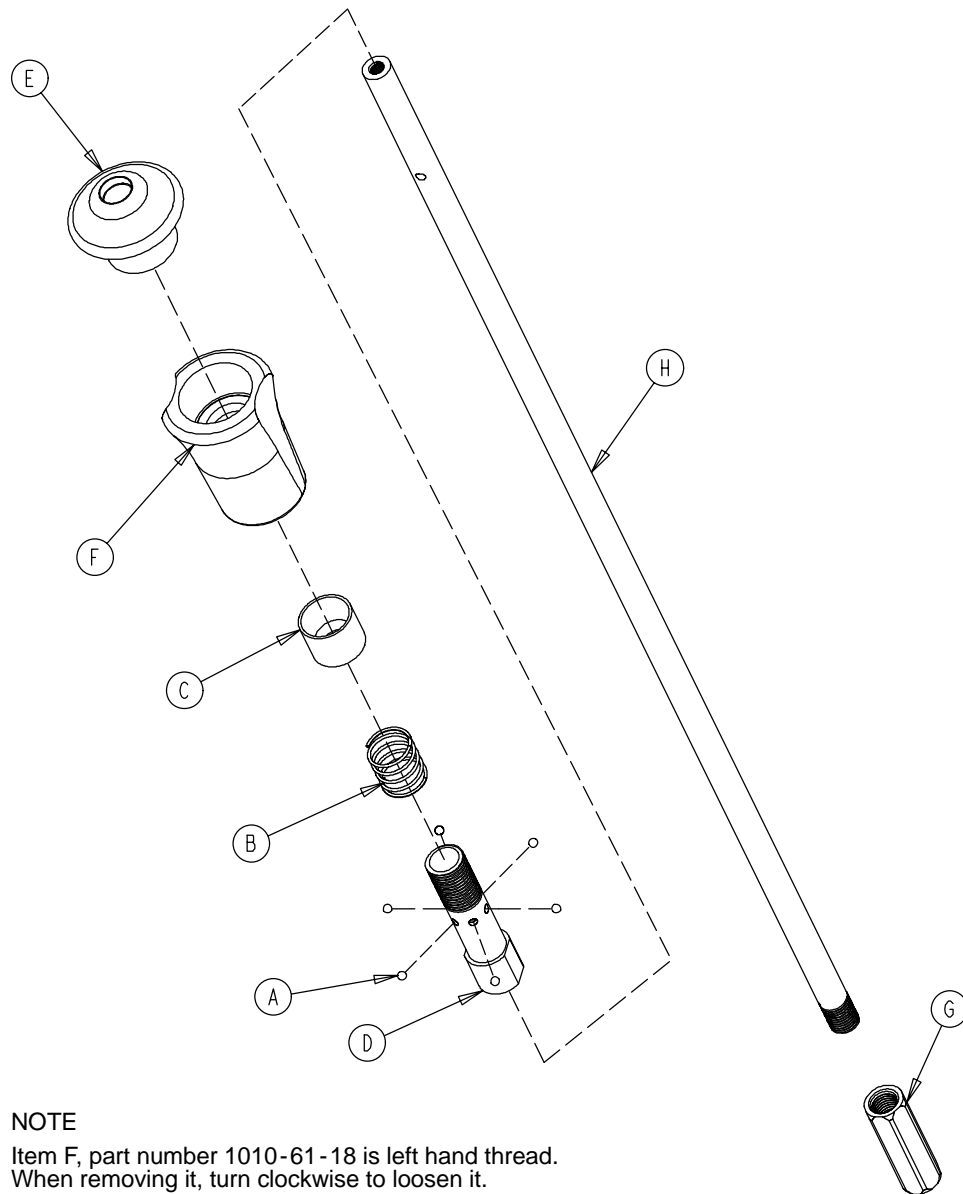
| Item | Part No.     | Part Name             | Qty. |
|------|--------------|-----------------------|------|
| A    | (page 125)   | I.V. Pole Assembly    | 1    |
| B    | 1001-59-12   | I.V. Clip             | 1    |
| C    | 1001-259-122 | I.V. Pivot            | 1    |
| D    | 4-452        | But. Hd. Cap Screw    | 1    |
| E    | 16-118       | Nylock Hex Nut        | 3    |
| F    | 4-161        | Button Hd. Cap Screw  | 2    |
| H    | 4-456        | Soc. Hd. Cap Screw    | 1    |
| J    | 16-3         | Fiberlock Hex Nut     | 1    |
| K    | 11-62        | Washer                | 1    |
| L    | 1001-1-56    | Round Hook Protector  | 1    |
| M    | 1001-1-58    | Hook Protector, Right | 1    |
| N    | 16-116       | Flexlock Nut          | 1    |
| P    | 1501-127-19  | Plug                  | 1    |
| R    | 4-156        | Soc. Hd. Cap Screw    | 1    |

# 1211-211-10 Optional 3-Stage I.V. Pole Assembly



| Item | Part No.     | Part Name               | Qty. |
|------|--------------|-------------------------|------|
| A    | 7-4          | Truss Hd. Machine Screw | 1    |
| C    | 26-76        | Roll Pin                | 1    |
| D    | 52-17        | Spacer                  | 2    |
| E    | 1211-210-31  | 2nd Stage Assembly      | 1    |
| F    | 926-400-162  | Spacer                  | 1    |
| G    | (page 126)   | 3rd Stage Assembly      | 1    |
| H    | 1001-161-23  | Base Tube               | 1    |
| J    | 1010-259-16  | I.V. Hook               | 2    |
| K    | 1010-61-14   | Collar                  | 1    |
| L    | (page 120)   | I.V. Pole Latch         | 1    |
| M    | 1211-110-16  | Threaded Adaptor        | 1    |
| N    | 1001-359-13  | Dampener                | 1    |
| P    | 1001-359-14  | Dampener                | 1    |
| R    | 1001-359-112 | Pivot                   | 1    |

# 1211-110-32 Optional 3rd Stage Assembly

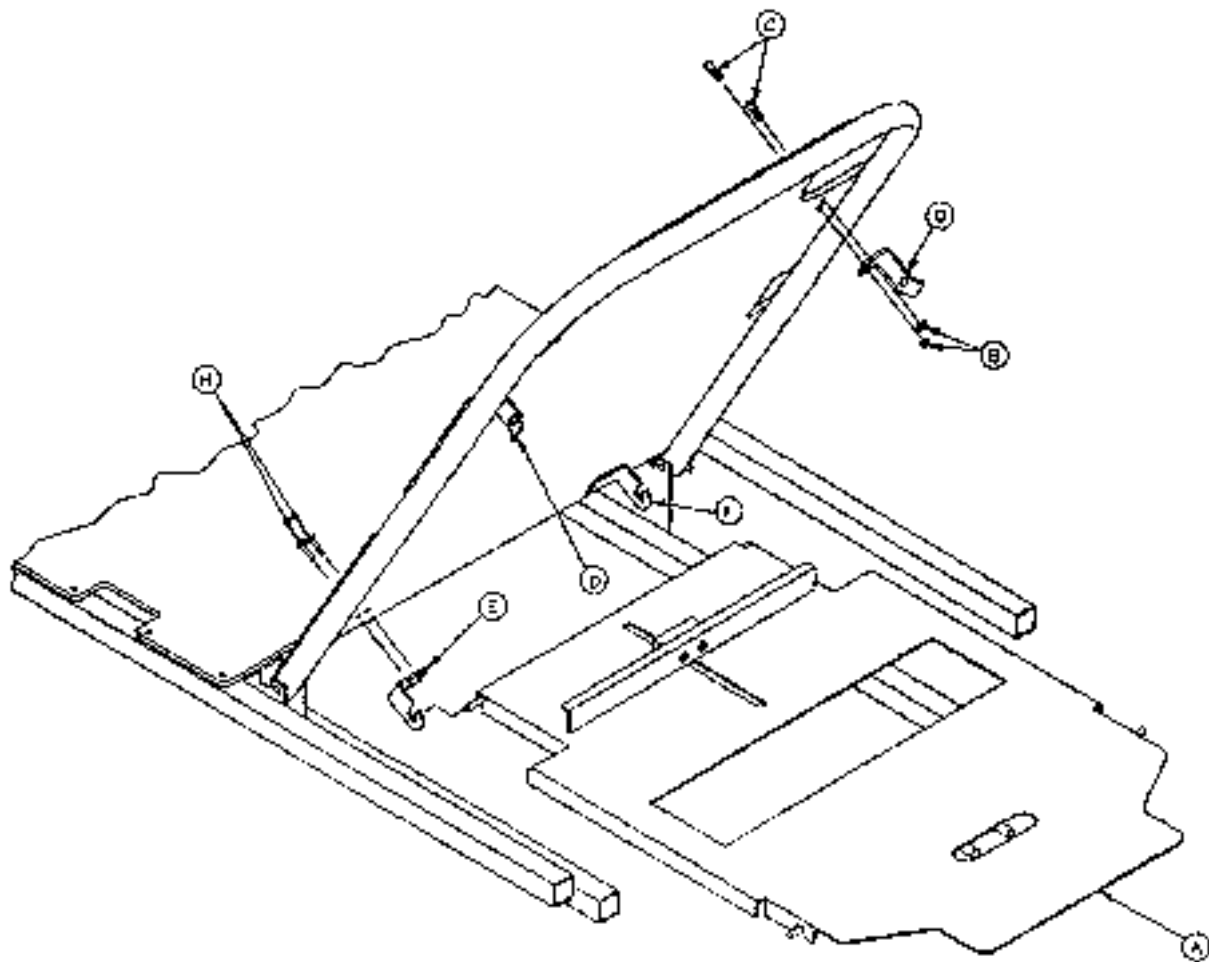


## NOTE

Item F, part number 1010-61-18 is left hand thread.  
When removing it, turn clockwise to loosen it.

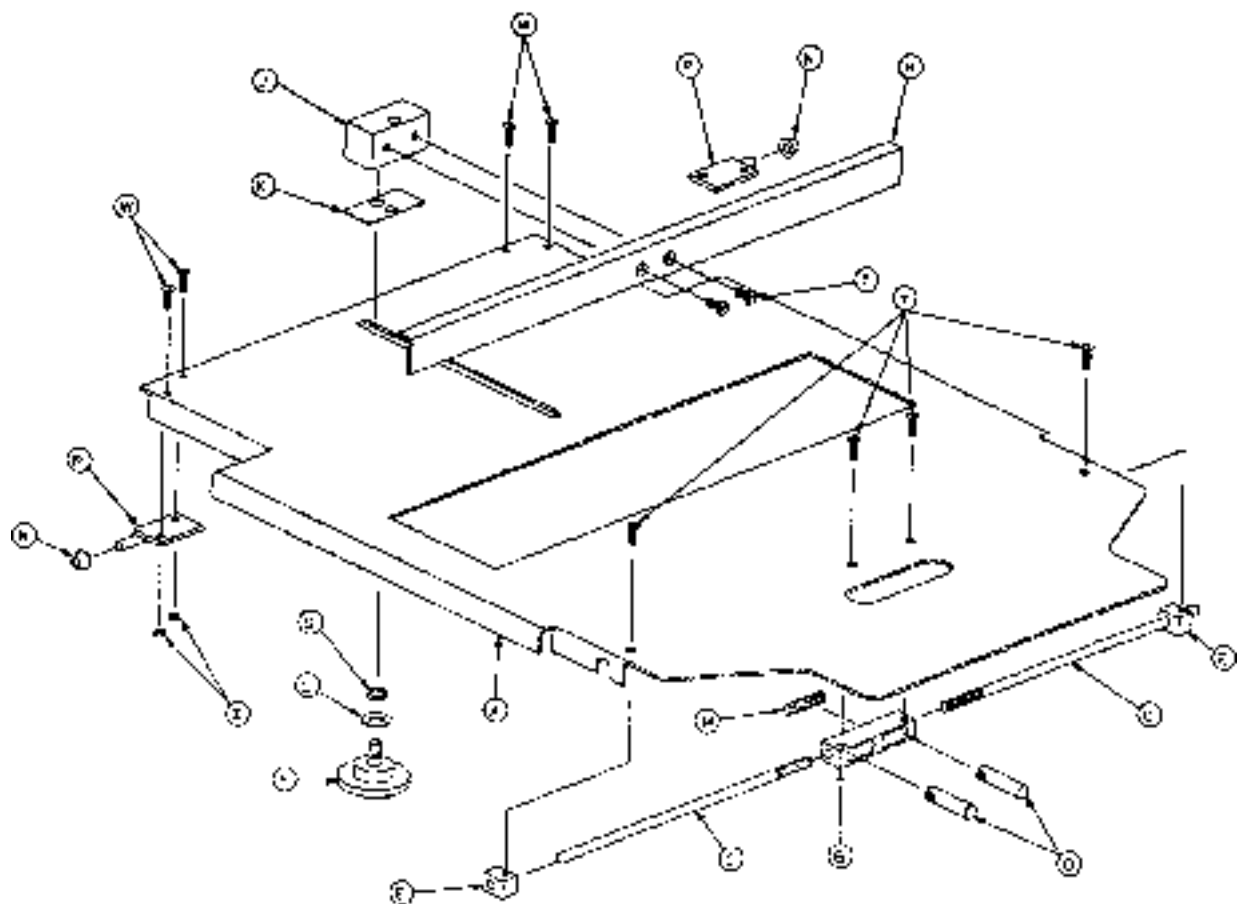
| Item | Part No.     | Part Name          | Qty. |
|------|--------------|--------------------|------|
| A    | 31-21        | Ball               | 6    |
| B    | 38-303       | Compression Spring | 1    |
| C    | 1010-61-13   | Ball Retainer      | 1    |
| D    | 1010-61-16   | Retaining Shaft    | 1    |
| E    | 1010-61-17   | Thumb Knob         | 1    |
| F    | 1010-61-18   | Hand Guard         | 1    |
| G    | 1211-110-117 | Nut                | 1    |
| H    | 1211-110-33  | 3rd Extension Rod  | 1    |

# 1001-23 Fowler X-Ray Cassette Mounting Assembly (Litters with Fold-to-Head Siderails)



| Item | Part No.   | Part Name            | Qty. |
|------|------------|----------------------|------|
| A    | (page 128) | X-Ray Cassette Ass'y | 1    |
| B    | 16-121     | Self-Locking Nut     | 4    |
| C    | 4-456      | Button Hd. Cap Screw | 4    |
| D    | 1001-23-13 | Tray Latch           | 2    |
| E    | 1020-23-13 | Tray Hinge, Right    | 1    |
| F    | 1020-23-12 | Tray Hinge, Left     | 1    |
| H    | 25-86      | Pop Rivet            | 4    |

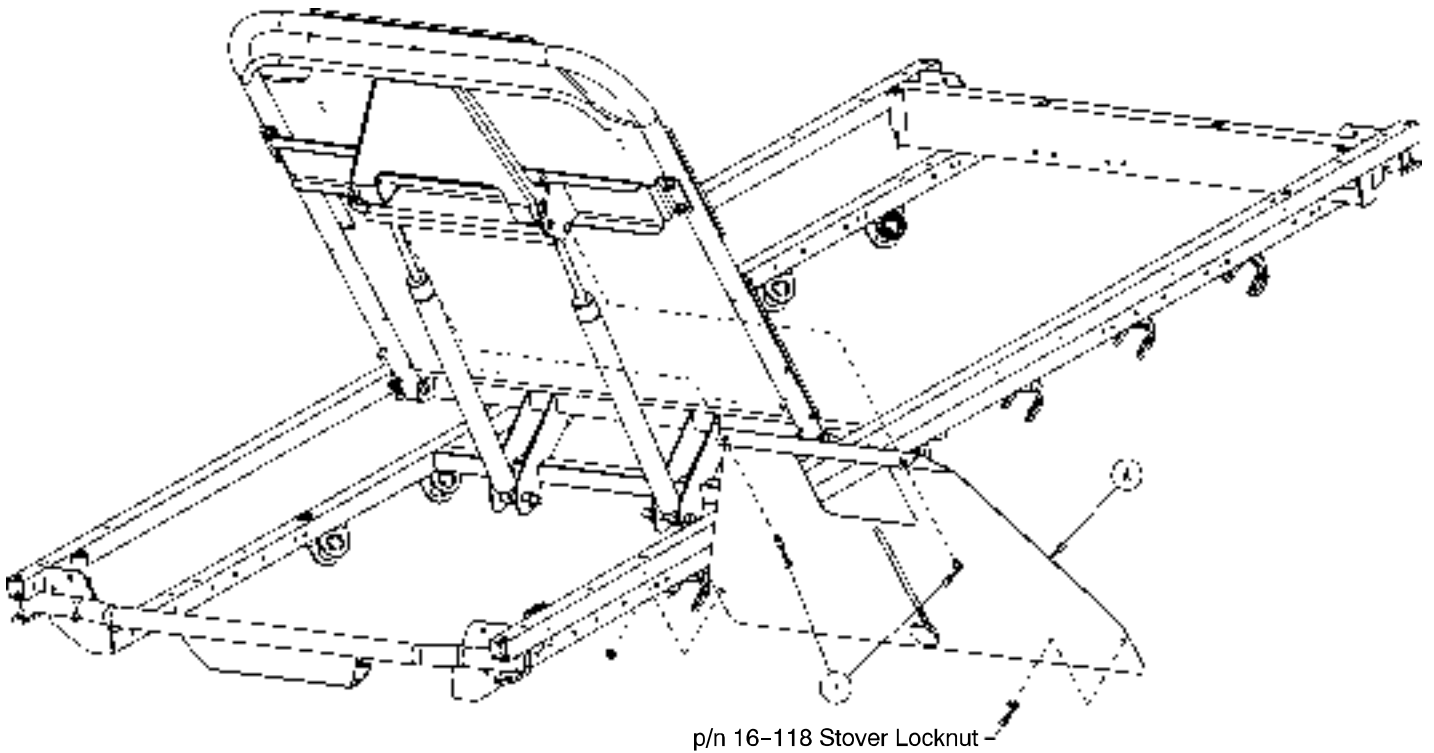
# 1001-23-10 Fowler X-Ray Cassette Assembly, (Litters with Fold-to-Head Siderails)



| Item | Part No.   | Part Name            | Qty. |
|------|------------|----------------------|------|
| A    | 1001-23-12 | Tray                 | 1    |
| B    | 1020-23-16 | Post Housing         | 1    |
| C    | 1001-23-14 | Actuating Rod        | 2    |
| D    | 926-23-64  | Post                 | 2    |
| E    | 1010-23-37 | Rod Guide            | 2    |
| F    | 1020-23-21 | Knob                 | 1    |
| H    | 1010-23-28 | Tray Angle           | 1    |
| J    | 926-23-70  | Block Assembly       | 1    |
| K    | 926-23-69  | Washer               | 1    |
| L    | 14-3       | Washer               | 1    |
| M    | 38-122     | Compression Spring   | 1    |
| N    | 1020-23-26 | Spacer               | 2    |
| P    | 1020-23-19 | Tray Hinge, Right    | 1    |
| R    | 1020-23-20 | Tray Hinge, Left     | 1    |
| S    | 926-23-71  | Bushing              | 1    |
| T    | 1-20       | Flat Hd. Mach. Screw | 2    |
| W    | 4-149      | Button Hd. Cap Screw | 4    |
| Y    | 1-22       | Flat Hd. Mach. Screw | 4    |
| Z    | 16-3       | Nylock Hex Nut       | 4    |
| AA   | 1010-23-19 | Instruction Label    | 1    |
| AB   | 1001-23-25 | Specification Label  | 1    |

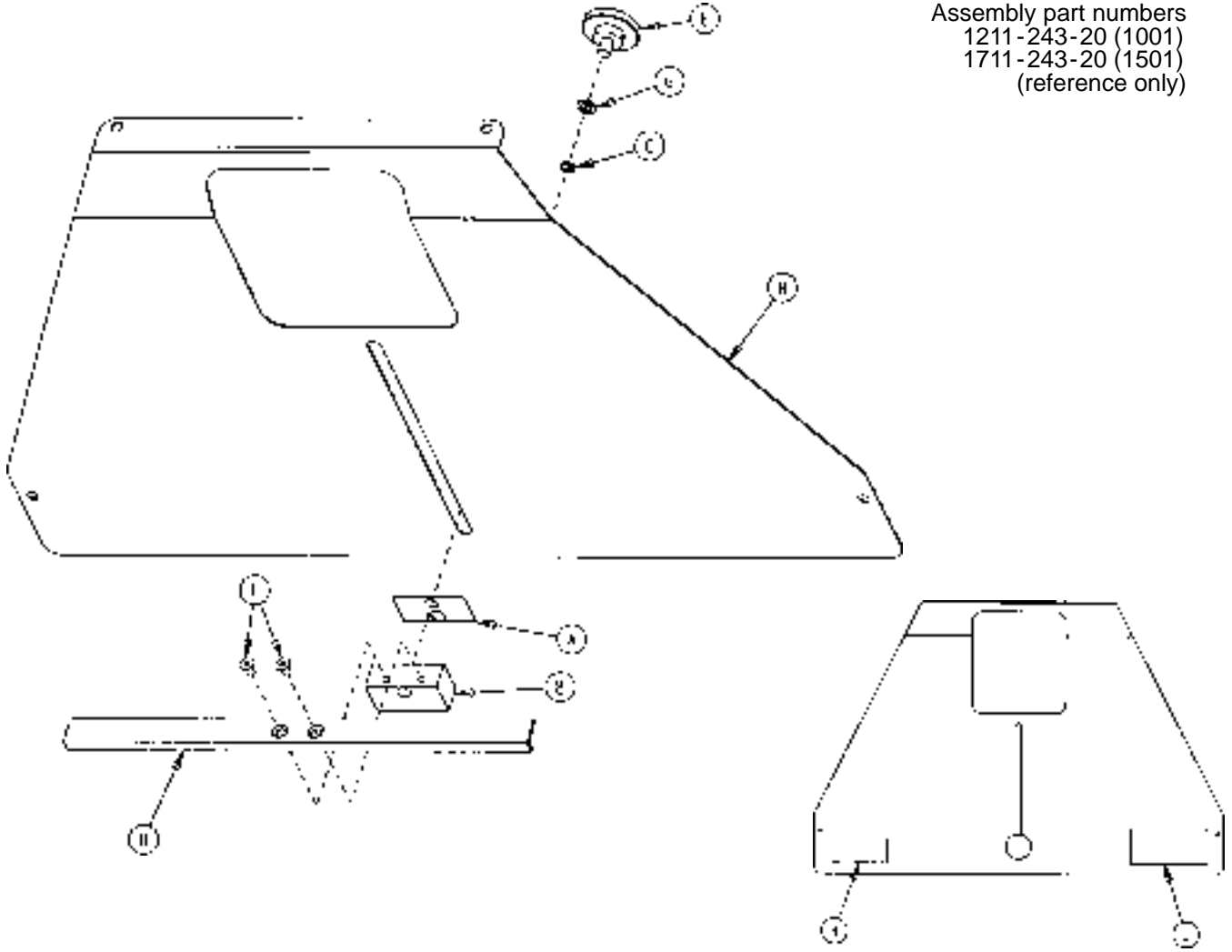
# Fowler X-Ray Cassette Mounting Assembly, (Litters with Fold-to-Foot Siderails)

Assembly part numbers 1211-243-10 (1001) & 1711-243-10 (1501)



| Item | Part No.   | Part Name            | Qty. |
|------|------------|----------------------|------|
| A    | (page 130) | X-Ray Cassette Ass'y | 1    |
| B    | 25-121     | Rivet                | 2    |

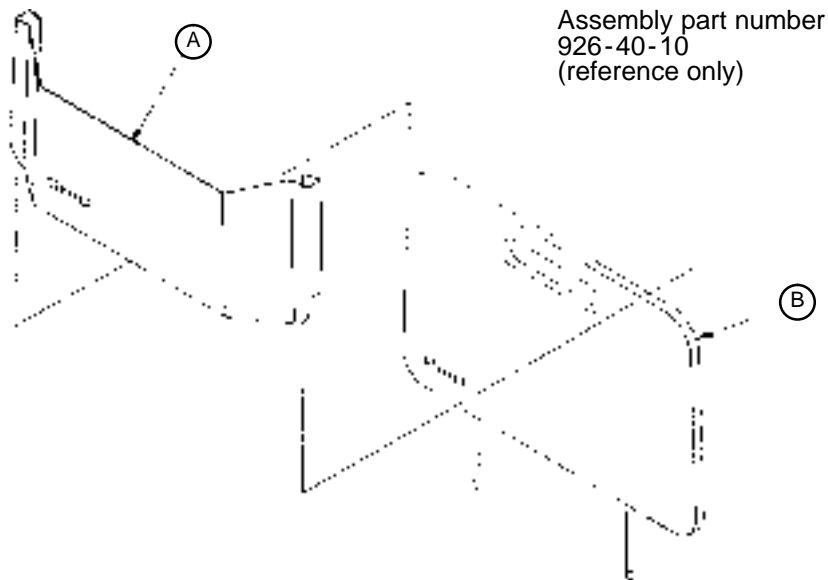
# Fowler X-Ray Cassette Assembly, (Litters with Fold-to-Foot Siderails)



Assembly part numbers  
 1211-243-20 (1001)  
 1711-243-20 (1501)  
 (reference only)

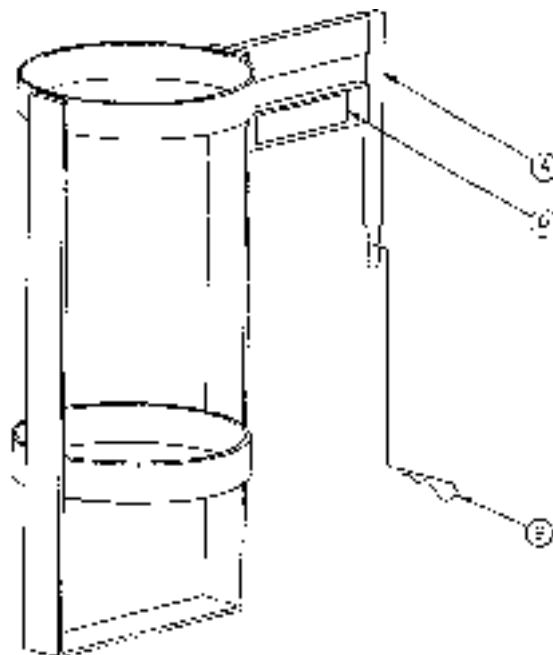
| Item | Part No.    | Part Name            | Qty. |
|------|-------------|----------------------|------|
| A    | 926-23-69   | Washer               | 1    |
| B    | 926-23-70   | Block Assembly       | 1    |
| C    | 926-23-71   | Bushing              | 1    |
| D    | 1010-23-28  | Tray Angle           | 1    |
| E    | 1020-23-21  | Knob Assembly        | 1    |
| F    | 1-30        | Flat Hd. Mach. Screw | 2    |
| G    | 14-3        | Thrust Washer        | 1    |
| H    | 1211-243-12 | X-Ray Cassette Tray  | 1    |
|      | 1711-243-12 | X-Ray Cassette Tray  | 1    |
| I    | 1010-23-18  | Warning Label        | 1    |
| J    | 1211-243-25 | Specification Label  | 1    |
| K    | 1711-243-25 | Specification Label  | 1    |

## 926-40-100 Foot Board/Chartholder Assembly



| Item | Part No.  | Part Name    | Qty. |
|------|-----------|--------------|------|
| A    | 946-28-11 | Chart Holder | 1    |
| B    | 946-29-6  | Foot Board   | 1    |

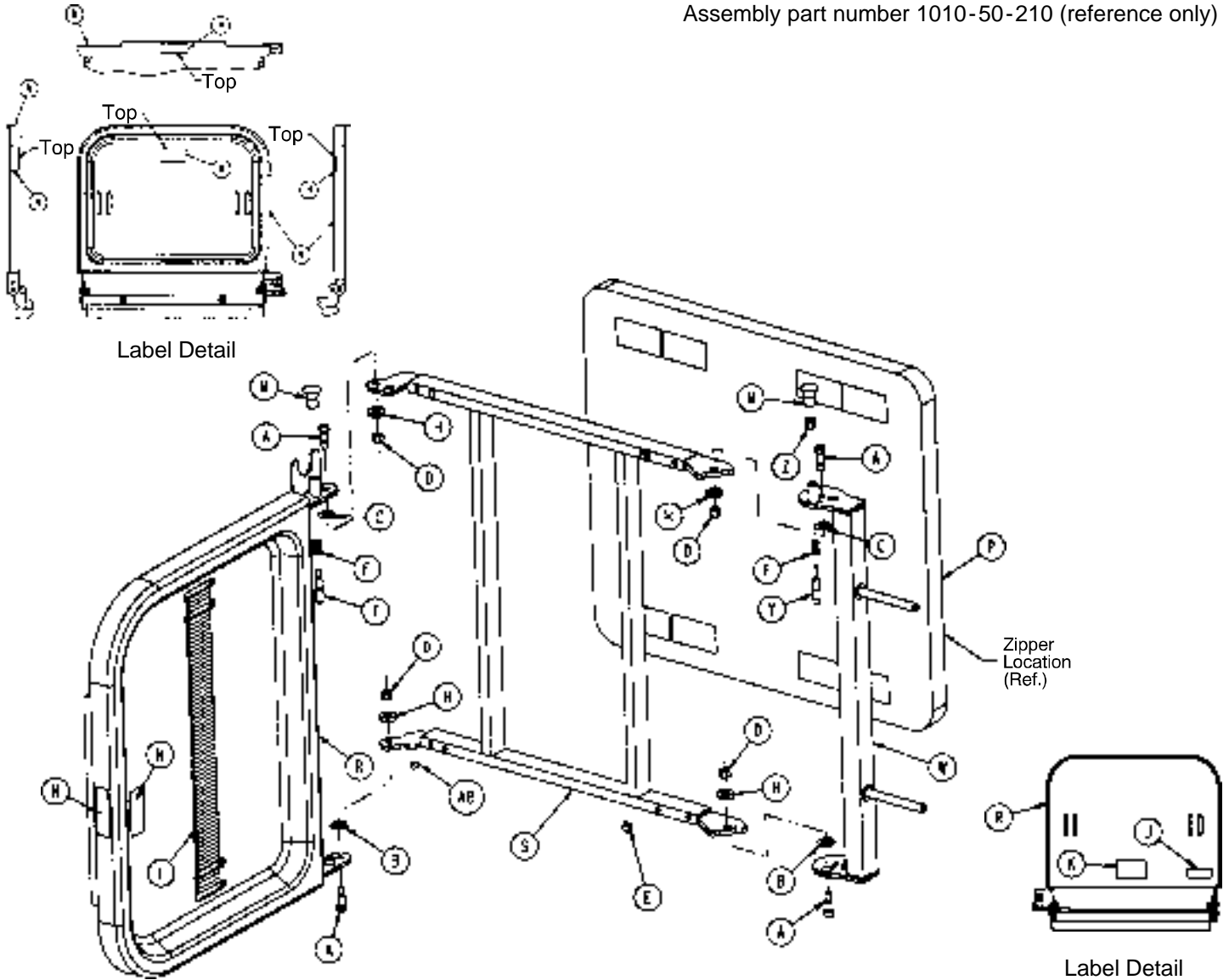
## 1020-30 Upright Oxygen Bottle Holder Assembly



| Item | Part No.   | Part Name             | Qty. |
|------|------------|-----------------------|------|
| A    | 1020-30-11 | Upright Bottle Holder | 1    |
| B    | 27-12      | Cotter Pin            | 1    |
| D    | 1020-30-17 | Specification Label   | 1    |

# 1010-50-100 Foot Extension/Defibrillator Tray Ass'y

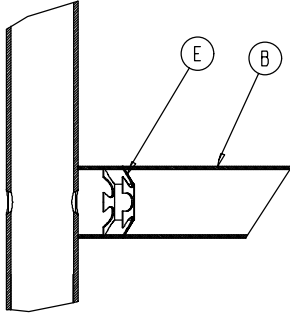
Assembly part number 1010-50-210 (reference only)



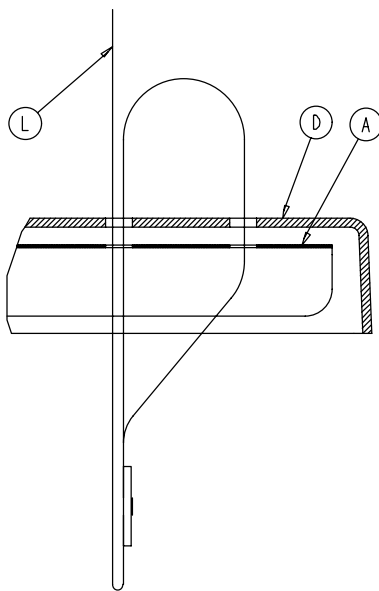
| Item | Part No.   | Part Name                | Qty. | Item | Part No.    | Part Name            | Qty. |
|------|------------|--------------------------|------|------|-------------|----------------------|------|
| A    | 8-49       | Socket Hd. Shoulder Bolt | 4    | M    | 1010-50-50  | Knob                 | 2    |
| B    | 14-20      | Nylon Washer             | 2    | N    | 1010-50-57  | "Max. Weight" Label  | 4    |
| C    | 14-21      | Nylon Washer             | 2    | P    | 1010-50-205 | Cushion Assembly     | 1    |
| D    | 16-28      | Fiberlock Nut            | 4    | R    | 1010-50-218 | Foot & Tray Board    | 1    |
| E    | 37-52      | Rubber Bumper            | 2    | S    | 1010-50-225 | Pivot Frame Weldment | 1    |
| F    | 38-133     | Spring                   | 2    | T    | 1010-50-242 | Pin Lock             | 1    |
| H    | 52-17      | Spacer                   | 4    | W    | 1010-50-246 | Base Mounting Ass'y  | 1    |
| J    | 1010-50-17 | Specification Label      | 1    | Y    | 1010-50-248 | Lower Pin Lock       | 1    |
| K    | 1010-50-19 | "Push/Pull" Label        | 1    | Z    | 1010-50-250 | Pin Adjuster         | 1    |
| L    | 1010-50-21 | Long Strap               | 1    | AB   | 721-31-65   | Hole Plug            | 2    |

# 926-39 Optional Defibrillator Tray Assembly

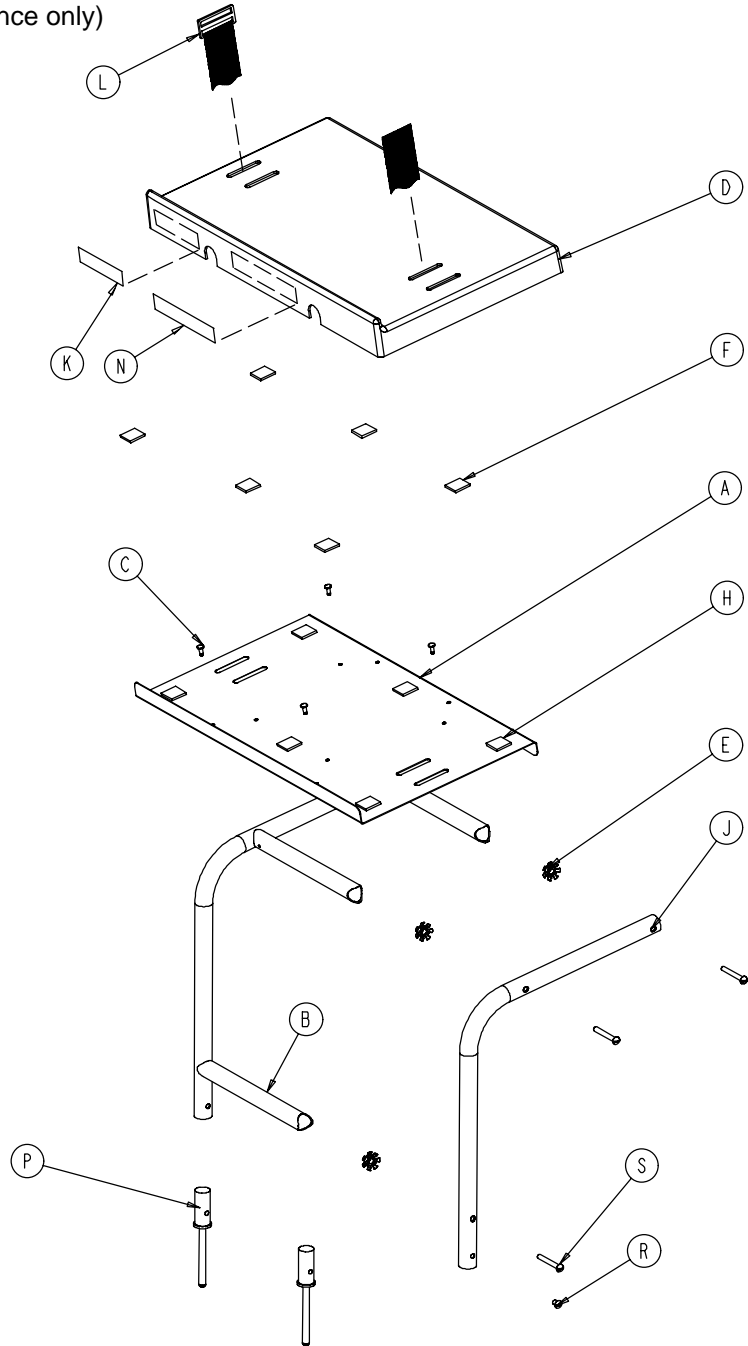
Assembly part number 926-39-10 (reference only)



Umbrella Nut/Crosstube Detail



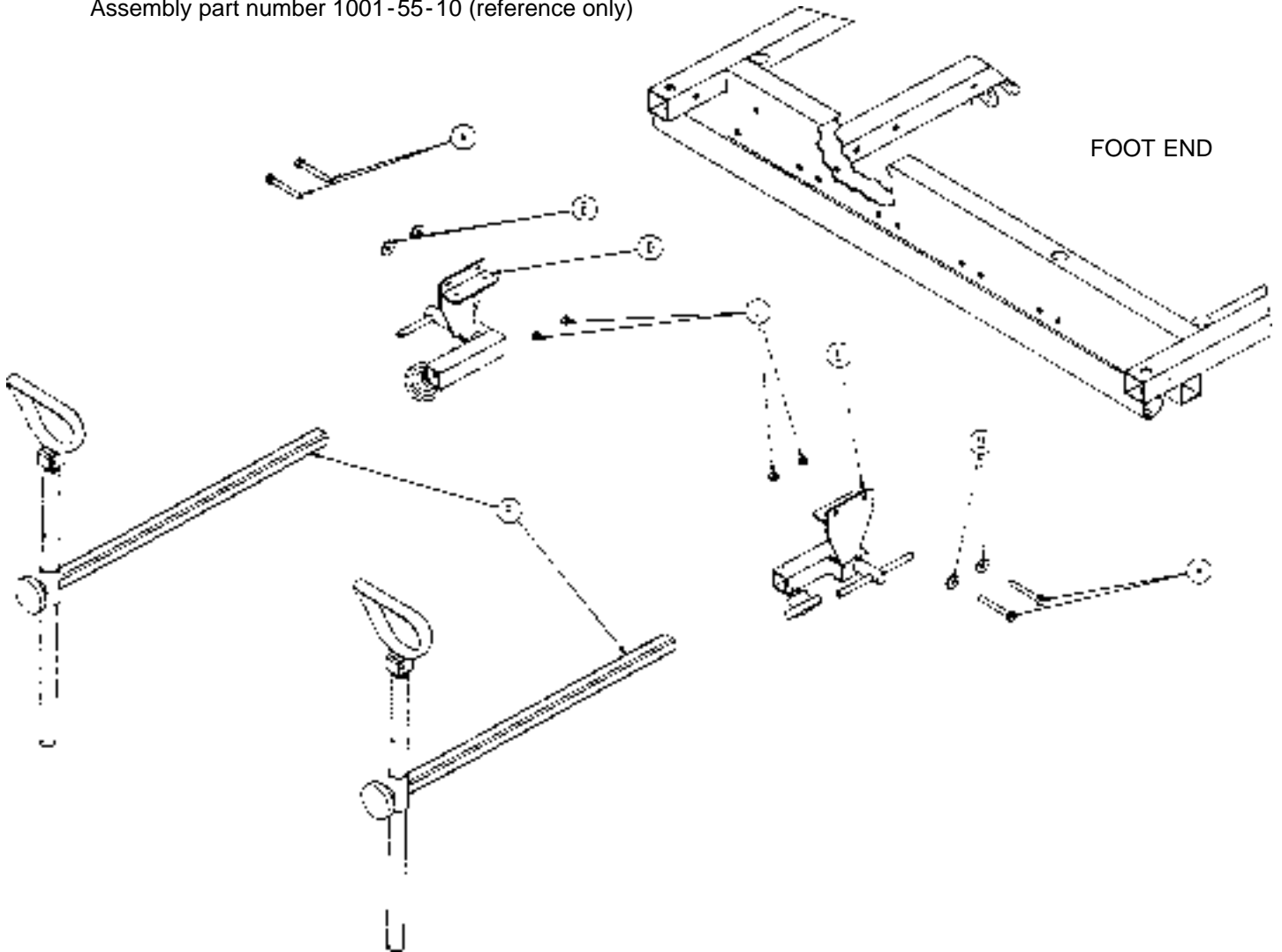
Strap Securing Detail



| Item | Part No.  | Part Name    | Qty. | Item | Part No.   | Part Name           | Qty. |
|------|-----------|--------------|------|------|------------|---------------------|------|
| A    | 946-39-4  | Tray         | 1    | J    | 946-39-3   | Support Tube        | 2    |
| B    | 926-39-16 | Crosstube    | 3    | K    | 926-1-82   | Label               | 1    |
| C    | 25-55     | Rivet        | 4    | L    | 1010-50-21 | Long Strap          | 1    |
| D    | 926-39-9  | Cover        | 1    | N    | 946-1-283  | Label               | 1    |
| E    | 18-6      | Umbrella Nut | 6    | P    | 926-39-15  | Holder              | 2    |
| F    | 29-8      | Dual Lock    | 6    | R    | 2-44       | Screw               | 2    |
| H    | 29-10     | Dual Lock    | 6    | S    | 2-105      | Rd. Hd. Mach. Screw | 6    |

# 1001 -55 Heel Stirrup and Support Assembly

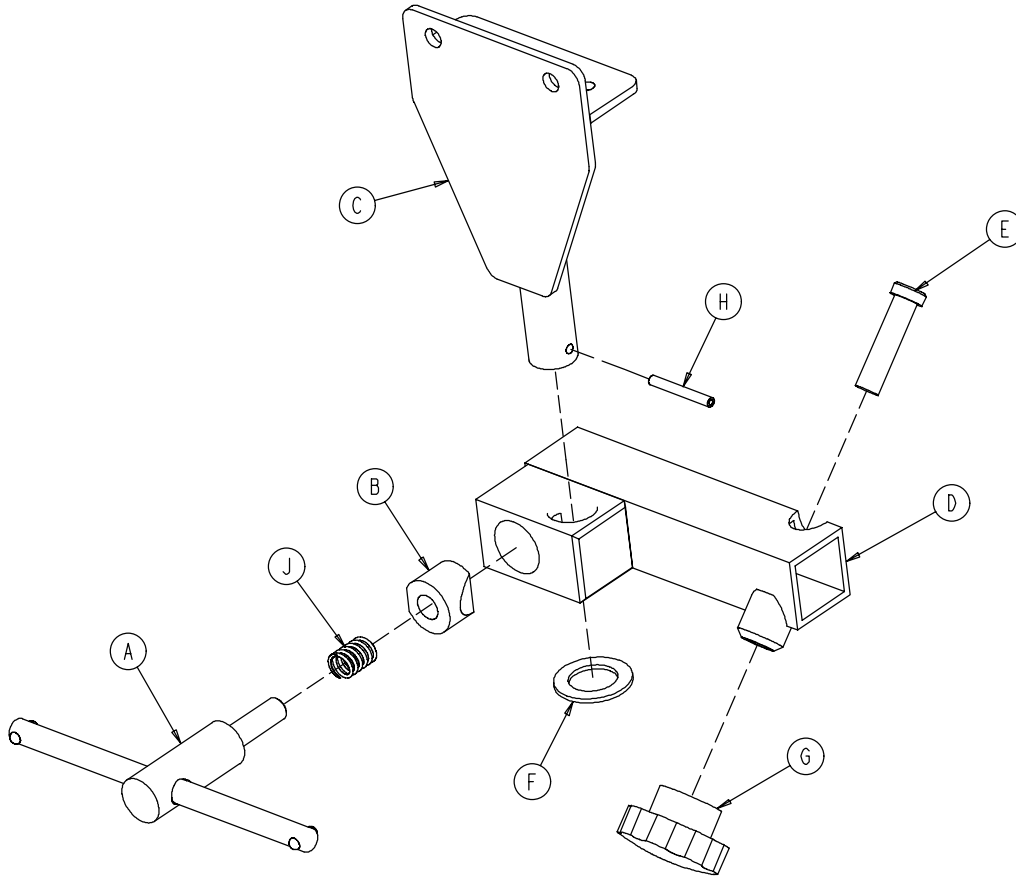
Assembly part number 1001-55-10 (reference only)



| Item | Part No.   | Part Name                  | Qty. |
|------|------------|----------------------------|------|
| A    | 3-359*     | Hex Hd. Cap Screw          | 4    |
| B    | 11-159     | Flat Washer                | 4    |
| C    | 16-118     | Nylock Hex Nut             | 4    |
| D    | (page 135) | Stirrup Support Ass'y, Rt. | 1    |
| E    | (page 136) | Stirrup Support Ass'y, Lt. | 1    |
| F    | (page 137) | Stirrup Assembly           | 2    |

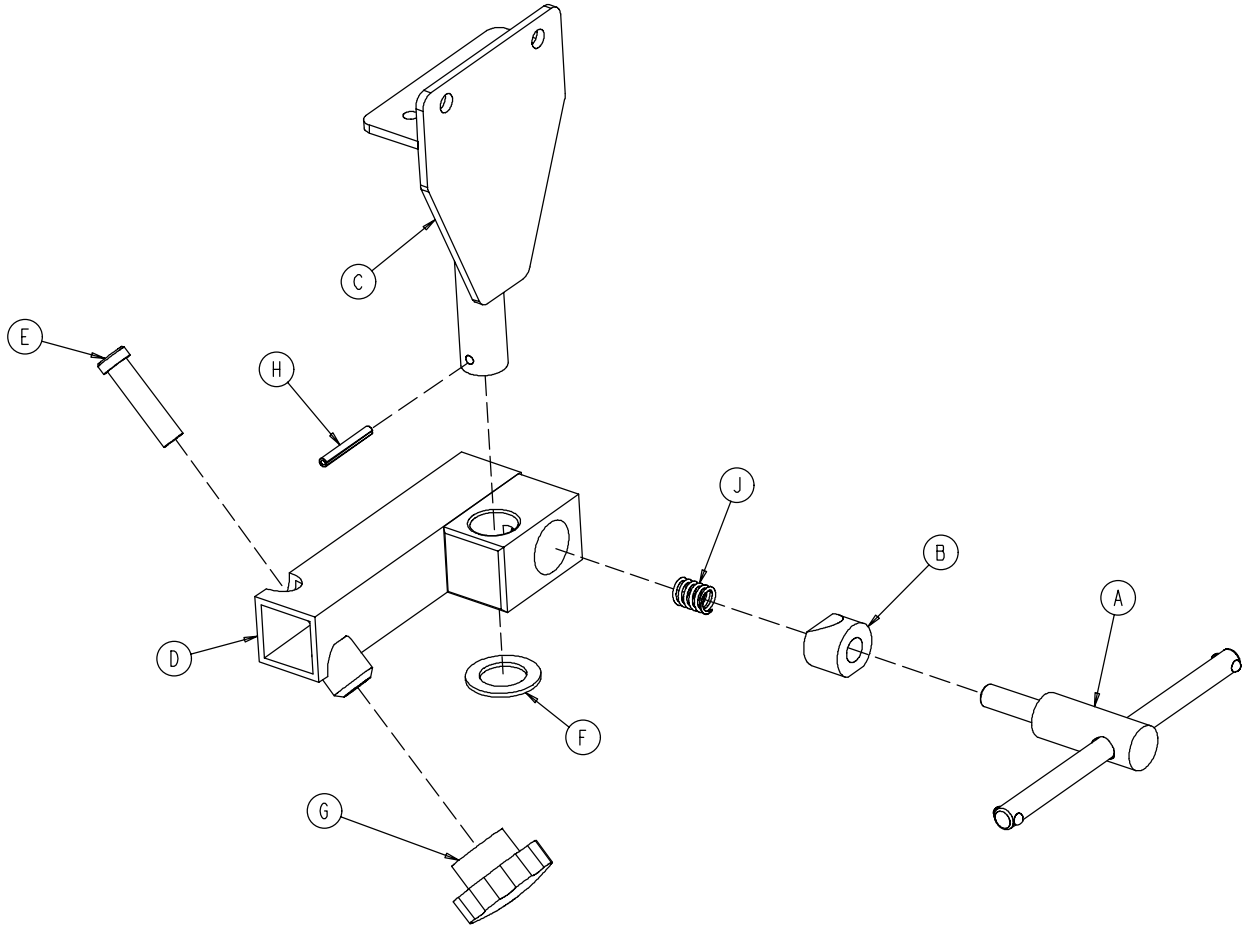
\* If the stretcher has the crank Fowler and/or crank Knee Gatch option, (2) 3-355 and (2) 3-358 replace (4) 3-359.

# 1001-55-15 Right Stirrup Support Assembly



| Item | Part No.    | Part Name                 | Qty. |
|------|-------------|---------------------------|------|
| A    | 650-2-32    | Lock Screw Assembly       | 1    |
| B    | 966-51-19   | Wedge Lock, Modified      | 1    |
| C    | 1001-55-11  | Mounting Bracket          | 1    |
| D    | 1010-55-16  | Right Support Tube Wldmt. | 1    |
| E    | 4-494       | Soc. Hd. Cap Screw        | 1    |
| F    | 11-410      | Washer                    | 1    |
| G    | 1211-117-16 | Knob                      | 1    |
| H    | 26-7        | Roll Pin                  | 1    |
| J    | 38-171      | Compression Spring        | 1    |

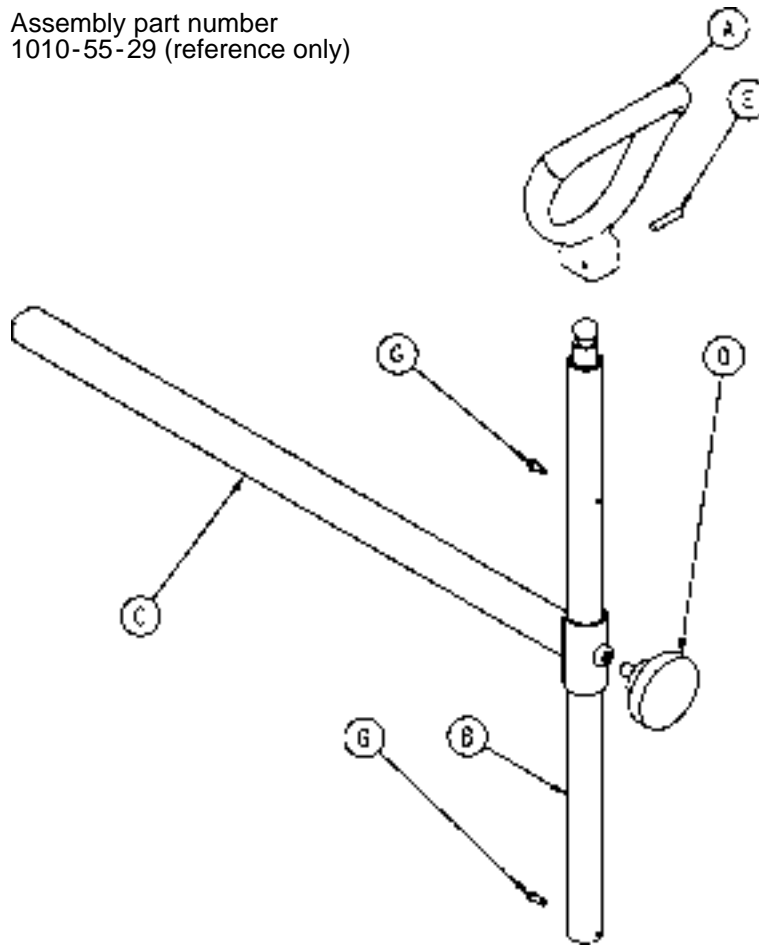
# 1001-55-16 Left Stirrup Support Assembly



| Item | Part No.    | Part Name               | Qty. |
|------|-------------|-------------------------|------|
| A    | 650-2-32    | Lock Screw Assembly     | 1    |
| B    | 966-51-19   | Wedge Lock, Modified    | 1    |
| C    | 1001-55-11  | Mounting Bracket        | 1    |
| D    | 1010-55-26  | Left Support Tube Ass'y | 1    |
| E    | 4-494       | Soc. Hd. Cap Screw      | 1    |
| F    | 11-410      | Washer                  | 1    |
| G    | 1211-117-16 | Knob                    | 1    |
| H    | 26-7        | Roll Pin                | 1    |
| J    | 38-171      | Compression Spring      | 1    |

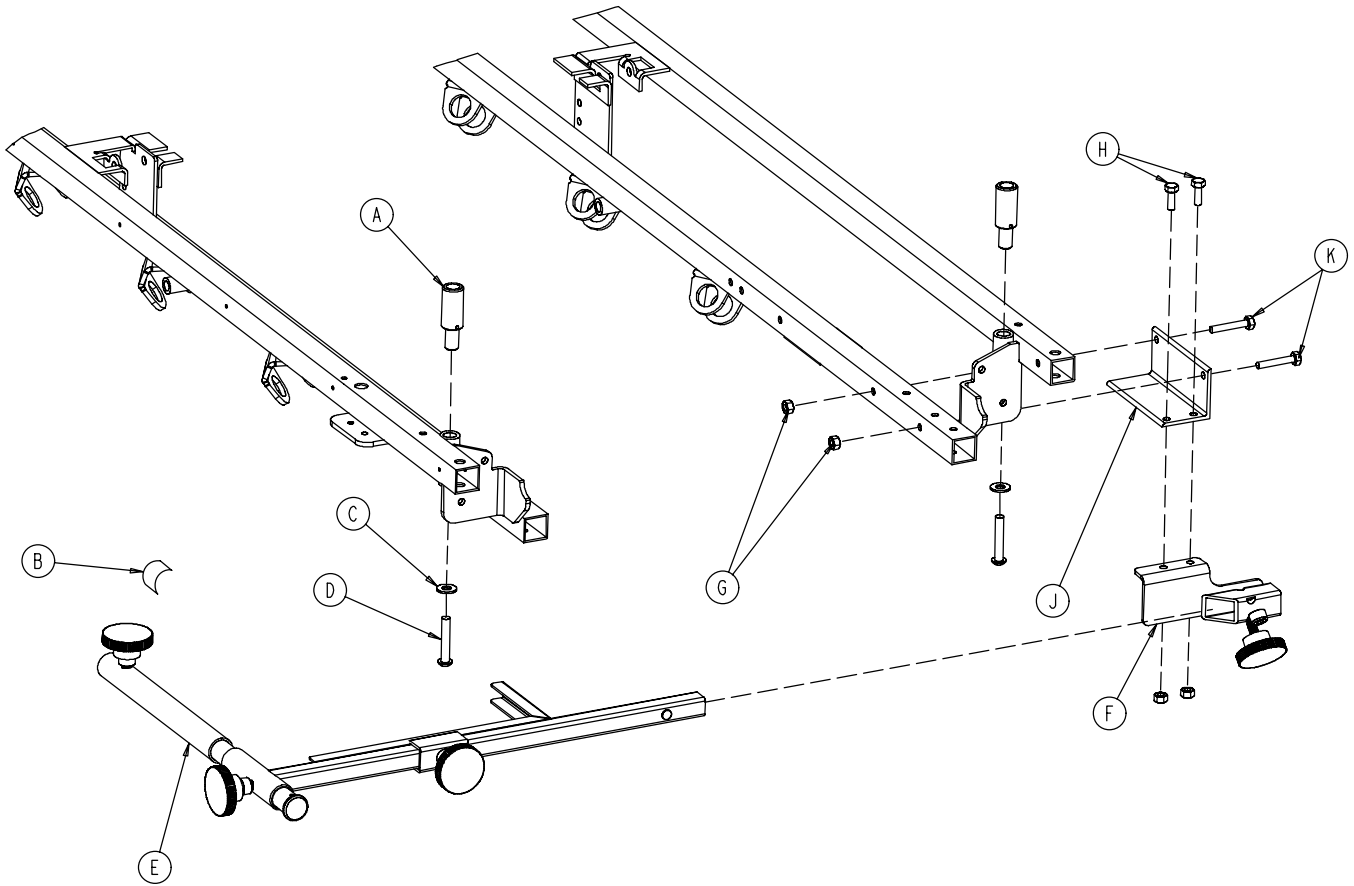
# Heel Stirrup Assembly

Assembly part number  
1010-55-29 (reference only)



| Item | Part No.   | Part Name               | Qty. |
|------|------------|-------------------------|------|
| A    | 390-20-13  | Stirrup                 | 1    |
| B    | 390-20-9   | Stirrup Holder Assembly | 1    |
| C    | 1010-55-30 | Extension Tube Assembly | 1    |
| D    | 24-11      | Knob                    | 1    |
| E    | 26-43      | Roll Pin                | 1    |
| G    | 22-8       | Drive Screw             | 2    |

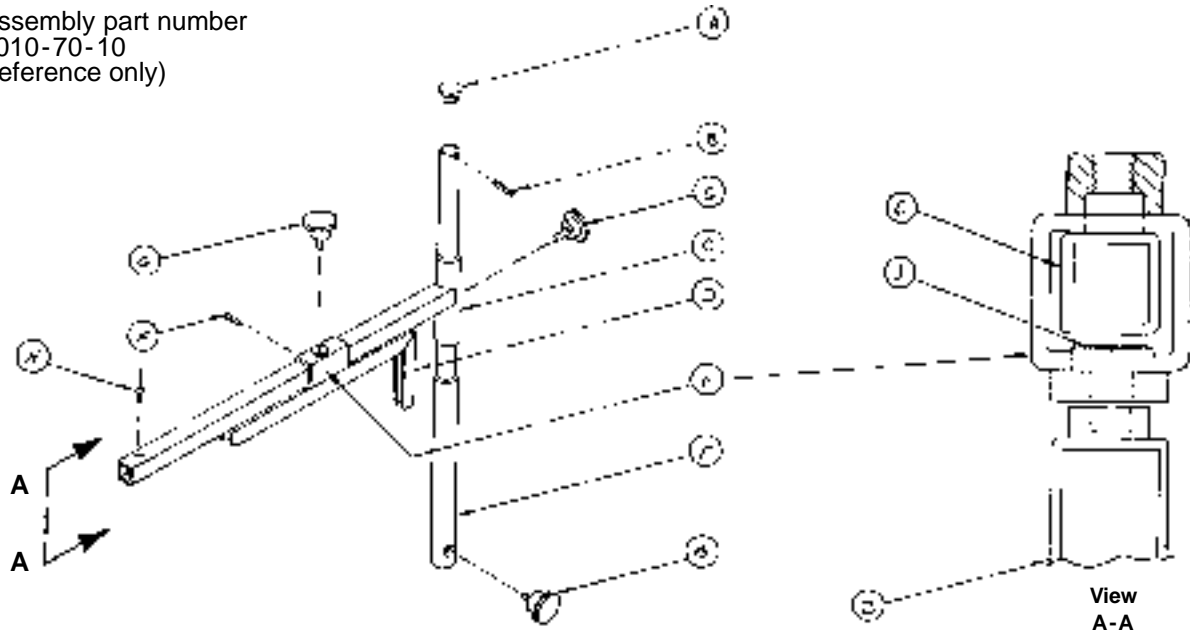
# 1001-70 C-Spine Cassette Holder Assembly



| Item | Part No.   | Part Name             | Qty. |
|------|------------|-----------------------|------|
| A    | 1010-70-25 | I.V. Adaptor          | 2    |
| B    | 1010-70-18 | Specification Label   | 1    |
| C    | 11-447     | Flat Washer           | 2    |
| D    | 4-54       | But. Hd. Cap Screw    | 2    |
| E    | (page 139) | Support Pole Assembly | 1    |
| F    | (page 140) | Storage Bracket Ass'y | 1    |
| G    | 16-118     | Nylock Nut            | 4    |
| H    | 3-356      | Hex Hd. Cap Screw     | 2    |
| J    | 1001-70-11 | Attachment Bracket    | 1    |
| K    | 3-355      | Hex Hd. Cap Screw     | 2    |

# C-Spine Support Pole Assembly

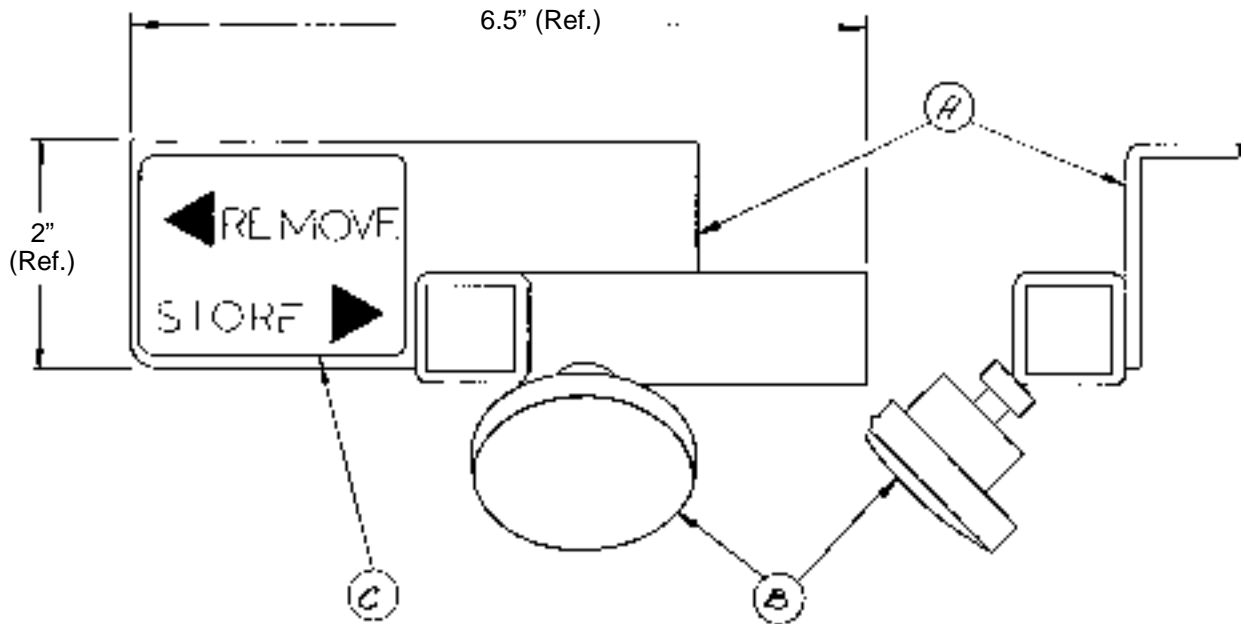
Assembly part number  
1010-70-10  
(reference only)



| Item | Part No.   | Part Name                | Qty. |
|------|------------|--------------------------|------|
| A    | 1010-70-33 | Support Tube Cap         | 1    |
| B    | 26-6       | Roll Pin                 | 1    |
| C    | 1010-70-34 | Support Arm Weldment     | 1    |
| D    | 1010-70-42 | Cassette Holder Weldment | 1    |
| E    | 1010-70-50 | Adjustment Tube Weldment | 1    |
| F    | 1010-70-30 | Base Tube Weldment       | 1    |
| G    | 1010-70-45 | Knob                     | 3    |
| H    | 25-55      | Pop Rivet                | 1    |
| J    | 1010-70-44 | Pivot Pin                | 1    |
| K    | 26-5       | Roll Pin                 | 1    |

# C-Spine Storage Bracket Assembly

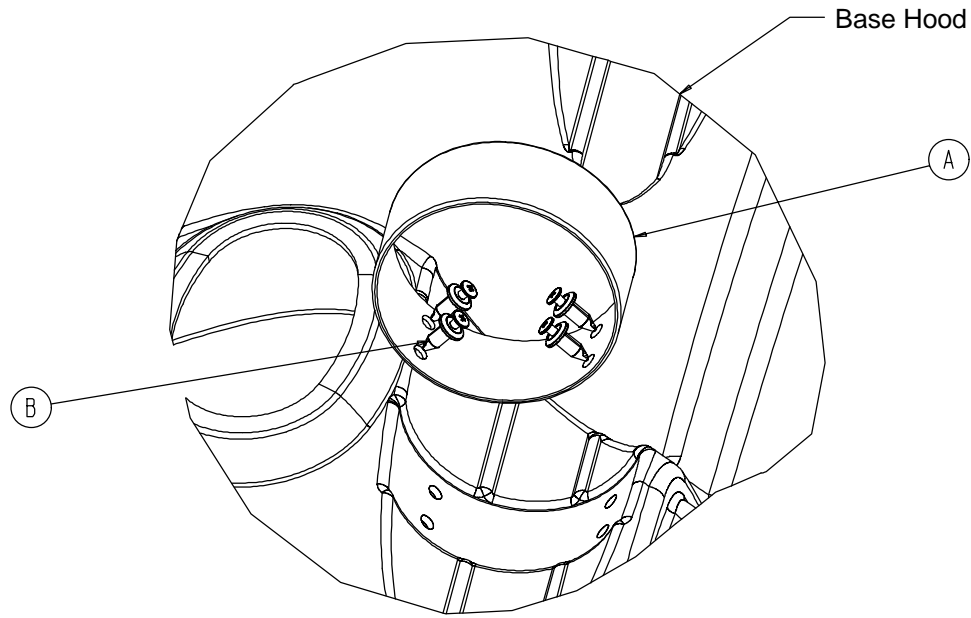
Assembly part number 1010-70-19 (reference only)



| Item | Part No.   | Part Name                | Qty. |
|------|------------|--------------------------|------|
| A    | 1010-70-20 | Storage Bracket Weldment | 1    |
| B    | 1010-70-45 | Knob                     | 1    |
| C    | 1010-70-23 | Storage Label            | 1    |

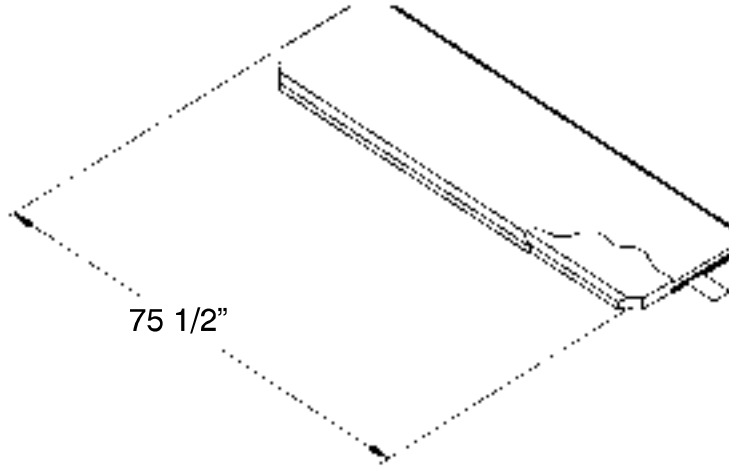
# 1040-10-90 Optional O<sub>2</sub> Bottle Retainer Assembly

---

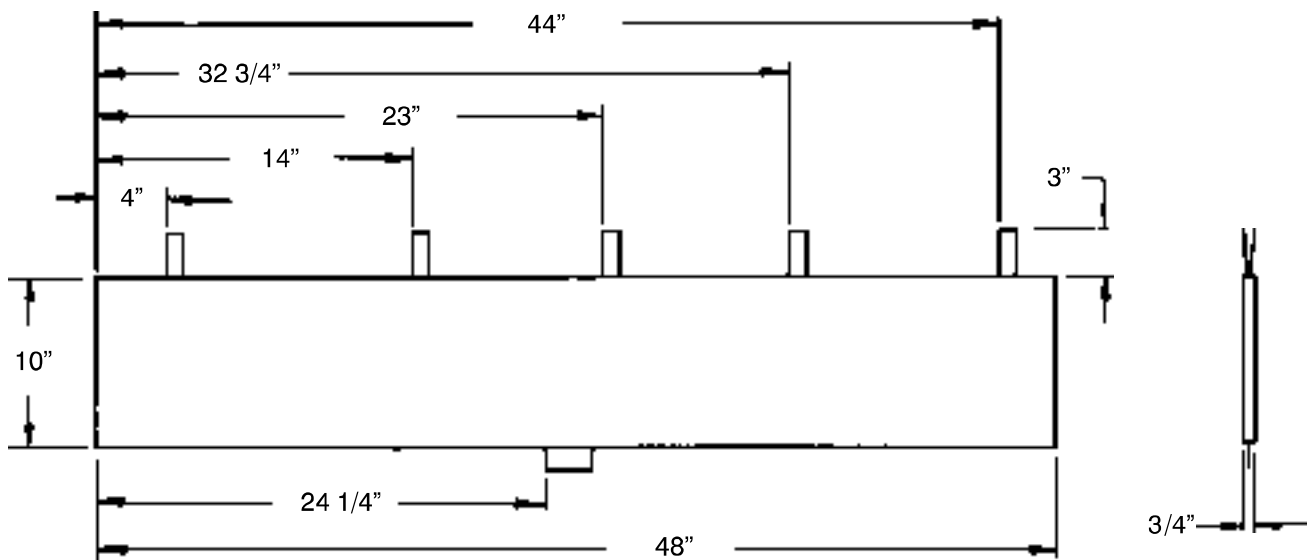


| Item | Part No.   | Part Name        | Qty. |
|------|------------|------------------|------|
| A    | 1040-10-91 | Bottle Retainer  | 1    |
| B    | 1040-10-92 | Scrulok Fastener | 4    |

# Mattresses and Siderail Pads



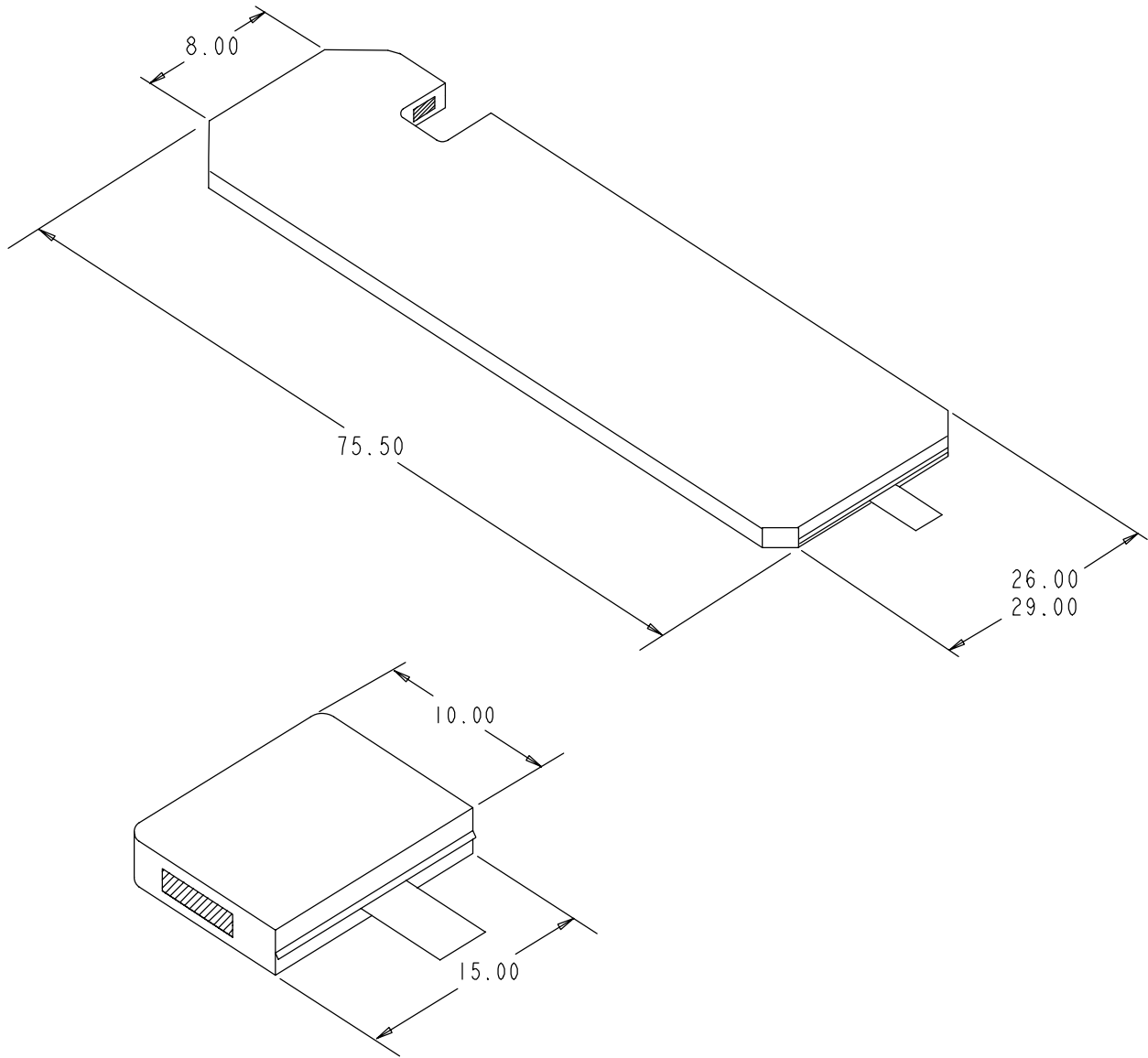
|   |                     |
|---|---------------------|
| Mattress, 2" Thick x 26" Wide, Standard .....         | part # 1059-226-140 |
| Mattress, 3" Thick x 26" Wide, Standard .....         | part # 1059-326-140 |
| Mattress, 4" Thick x 26" Wide, Standard .....         | part # 1059-426-140 |
| Mattress, 3" Thick x 29" Wide, Standard .....         | part # 1059-329-140 |
| Mattress, 4" Thick x 29" Wide, Standard .....         | part # 1059-429-140 |
| Mattress, 3" Thick x 26" Wide, Enhanced Comfort ..... | part # 1001-48-106  |
| Mattress, 4" Thick x 26" Wide, Enhanced Comfort ..... | part # 1001-47-106  |
| Mattress, 3" Thick x 29" Wide, Enhanced Comfort ..... | part # 1501-48-106  |
| Mattress, 4" Thick x 29" Wide, Enhanced Comfort ..... | part # 1501-47-106  |
| Mattress, 4" Thick x 26" Wide, Ultra Comfort .....    | part # 1210-40-4    |
| Mattress, 5" Thick x 26" Wide, Ultra Comfort .....    | part # 1210-40-5    |
| Mattress, 4" Thick x 29" Wide, Ultra Comfort .....    | part # 1710-40-4    |
| Mattress, 5" Thick x 29" Wide, Ultra Comfort .....    | part # 1710-40-5    |



|                        |                |
|------------------------|----------------|
| Siderail Pad Set ..... | part # 1001-52 |
|------------------------|----------------|

# Echo Mattresses

---



- Mattress, 26" Wide ..... part # 1059-459-10
- Mattress, 29" Wide ..... part # 1059-429-10
- Cut-Out Mattress ..... part # 1059-426-28

# Warranty

---

## Limited Warranty:

Stryker Medical Division, a division of Stryker Corporation, warrants to the original purchaser that its products should be free from defects in material and workmanship for a period of one (1) year after date of delivery. Stryker's obligation under this warranty is expressly limited to supplying replacement parts and labor for, or replacing, at its option, any product which is, in the sole discretion of Stryker, found to be defective. Stryker warrants to the original purchaser that the frame and welds on its beds will be free from structural defects for as long as the original purchaser owns the bed. If requested by Stryker, products or parts for which a warranty claim is made shall be returned prepaid to Stryker's factory. Any improper use or any alteration or repair by others in such manner as in Stryker's judgement affects the product materially and adversely shall void this warranty. Any repair of Stryker products using parts not provided or authorized by Stryker shall void this warranty. No employee or representative of Stryker is authorized to change this warranty in any way.

Stryker Medical stretchers are designed for a 10 year expected life under normal use conditions and appropriate periodic maintenance as described in the maintenance manual for each device.

This statement constitutes Stryker's entire warranty with respect to the aforesaid equipment. STRYKER MAKES NO OTHER WARRANTY OR REPRESENTATION, EITHER EXPRESSED OR IMPLIED, EXCEPT AS SET FORTH HEREIN. THERE IS NO WARRANTY OF MERCHANTABILITY AND THERE ARE NO WARRANTIES OF FITNESS FOR ANY PARTICULAR PURPOSE. IN NO EVENT SHALL STRYKER BE LIABLE HEREUNDER FOR INCIDENTAL OR CONSEQUENTIAL DAMAGES ARISING FROM OR IN ANY MANNER RELATED TO SALES OR USE OF ANY SUCH EQUIPMENT.

## To Obtain Parts and Service:

Stryker products are supported by a nationwide network of dedicated Stryker Field Service Representatives. These representatives are factory trained, available locally, and carry a substantial spare parts inventory to minimize repair time. Simply call your local representative, or call Stryker Customer Service at (800) 327-0770.

## Service Contract Coverage:

Stryker has developed a comprehensive program of service contract options designed to keep your equipment operating at peak performance at the same time it eliminates unexpected costs. We recommend that these programs be activated *before* the expiration of the new product warranty to eliminate the potential of additional equipment upgrade charges.

## **A SERVICE CONTRACT HELPS TO:**

- Ensure equipment reliability
- Stabilize maintenance budgets
- Diminish downtime
- Establish documentation for JCAHO
- Increase product life
- Enhance trade-in value
- Address risk management and safety

# Warranty

**Stryker offers the following service contract programs:**

| <b>SPECIFICATIONS</b>  | <b>GOLD</b> | <b>SILVER</b> | <b>PM* ONLY</b> |
|--|-------------|---------------|-----------------|
| Annually scheduled preventative maintenance                              | X           |               | X               |
| All parts,** labor, and travel   | X           | X             |                 |
| Unlimited emergency service calls  | X           | X             |                 |
| Priority one contact; two hour phone response                            | X           | X             | X               |
| Most repairs will be completed within 3 business days                    | X           | X             |                 |
| JCAHO documentation  | X           | X             | X               |
| On-site log book w/ preventative maintenance & emergency service records | X           |               |                 |
| Factory-trained Stryker Service Technicians                              | X           | X             | X               |
| Stryker authorized parts   | X           | X             | X               |
| End of year summary  | X           |               |                 |
| Stryker will perform all service during regular business hours (9-5)     | X           | X             | X               |

\* Replacement parts and labor for products under PM contract will be discounted.

\*\* Does not include any disposable items, I.V. poles (except for Stryker HD permanent poles), mattresses, or damage resulting from abuse.

**Stryker Medical also offers *personalized* service contracts.**

**Pricing is determined by age, location, model and condition of product.**

***For more information on our service contracts,  
please call your local representative or call (800) 327-0770 (option #2).***

## **Return Authorization:**

Merchandise cannot be returned without approval from the Stryker Customer Service Department. An authorization number will be provided which must be printed on the returned merchandise. Stryker reserves the right to charge shipping and restocking fees on returned items.

**SPECIAL, MODIFIED, OR DISCONTINUED ITEMS NOT SUBJECT TO RETURN.**

## **Damaged Merchandise:**

ICC Regulations require that claims for damaged merchandise must be made with the carrier within fifteen (15) days of receipt of merchandise. **DO NOT ACCEPT DAMAGED SHIPMENTS UNLESS SUCH DAMAGE IS NOTED ON THE DELIVERY RECEIPT AT THE TIME OF RECEIPT.** Upon prompt notification, Stryker will file a freight claim with the appropriate carrier for damages incurred. Claim will be limited in amount to the actual replacement cost. In the event that this information is not received by Stryker within the fifteen (15) day period following the delivery of the merchandise, or the damage was not noted on the delivery receipt at the time of receipt, the customer will be responsible for payment of the original invoice in full.

Claims for any short shipment must be made within thirty (30) days of invoice.

## **International Warranty Clause:**

This warranty reflects U.S. domestic policy. Warranty outside the U.S. may vary by country. Please contact your local Stryker Medical representative for additional information.



## **European Representative**

Stryker EMEA RA/QA Director  
Stryker France  
ZAC Satolas Green Pusignan  
Av. De Satolas Green  
69881 MEYZIEU Cedex  
France

**stryker**  
**Medical**

6300 Sprinkle Road, Kalamazoo, MI 49001 - 9799

(800) 327-0770  
[www.strykermedical.com](http://www.strykermedical.com)