

## Gynnie® OB/GYN Stretcher







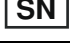








Operations Manual

REF 1061





# Symbols

	Operating instructions/Consult instructions for use
	General warning
	Caution
	No pushing
	Do not store the oxygen bottle
	Catalogue number
	Serial number
	For US Patents see <a href="http://www.stryker.com/patents">www.stryker.com/patents</a>
	CE mark
	Authorized representative in the European Community
	European medical device
	Manufacturer
	Safe working load
	Lubricate
	Type B applied part



# Table of Contents

Warning/Caution/Note Definition .....	2
Summary of safety precautions .....	2
Introduction .....	4
Product description .....	4
Indications for use .....	4
Clinical benefits .....	4
Expected service life .....	5
Disposal/recycle .....	5
Contraindications .....	5
Specifications .....	5
Product illustration .....	6
Contact information .....	7
Serial number location .....	7
Date of manufacture .....	7
Setup .....	8
Operation .....	9
Applying and releasing the brakes .....	9
Raising or lowering the litter .....	9
Positioning the product in Trendelenburg .....	10
Positioning the product in Reverse Trendelenburg .....	10
Transporting a patient with the retractable fifth wheel .....	11
Positioning or stowing the push handles (optional) .....	11
Raising or lowering the siderails .....	11
Raising or lowering the Fowler backrest .....	12
Positioning the foot supports .....	12
Storing the foot supports .....	13
Positioning the foot section .....	13
Positioning the waste bin holder (optional) .....	14
Accessories and parts .....	15
Attaching, removing, and positioning the free-standing calf rest .....	15
Attaching and positioning the removable IV pole .....	15
Attaching the upright oxygen bottle holder .....	16
Extending or stowing the serving tray holder/footboard .....	16
Accessing the Fowler X-ray cassette holder .....	17
Locating the patient restraint strap tie-ins .....	17
Cleaning and disinfecting with wipes .....	19
Cleaning .....	20
Cleaning the product .....	20
Cleaning the mattress .....	20
Remove iodine .....	21
Special instructions .....	21
Disinfecting .....	22
Disinfecting the product .....	22
Disinfecting the mattress .....	22
Preventive maintenance .....	24

# Warning/Caution/Note Definition

The words **WARNING**, **CAUTION**, and **NOTE** carry special meanings and should be carefully reviewed.

## **WARNING**

Alerts the reader about a situation which, if not avoided, could result in death or serious injury. It may also describe potential serious adverse reactions and safety hazards.

## **CAUTION**

Alerts the reader of a potentially hazardous situation which, if not avoided, may result in minor or moderate injury to the user or patient or damage to the product or other property. This includes special care necessary for the safe and effective use of the device and the care necessary to avoid damage to a device that may occur as a result of use or misuse.

**Note** - Provides special information to make maintenance easier or important instructions clearer.

## Summary of safety precautions

Always read and strictly follow the warnings and cautions listed on this page. Service only by qualified personnel.

---

### **WARNING**

- Always apply the brakes when a patient is getting on the product or off the product or when the product is not moving. Injury could result if the product moves while a patient is getting on the product or off the product.
- Always put the product in the lowest position with the siderails up and latched when you leave a patient unattended on the product. Do not leave the product at a higher height.
- Always remove any devices that may be in the way before you raise or lower the litter.
- Do not sit on the end of the product. The product may tip.
- Always keep patient and operator extremities away from siderail spindles when you raise or lower the litter.
- Always position the patient in the center of the product.
- Always lock the siderails in the full up position with the sleep surface flat in the lowest position when you transport a patient.
- Always keep patient and operator extremities away from siderail spindles when you raise or lower the siderails.
- Do not allow the siderails to lower on their own.
- Always keep hands and fingers clear of the Fowler backrest release handles and the Fowler backrest frame when you lower the Fowler backrest.
- Always use caution when you raise a pneumatic Fowler backrest while a patient is on the product. Use proper lifting techniques and get help, if necessary.
- Always use caution when you lower the foot section to avoid operator or patient injury.
- Do not transport the product with the foot section in the lowered position to avoid operator or patient injury or product damage.
- Always make sure that all operators' feet are clear of the foot section when you lower the product or place the product in Reverse Trendelenburg to avoid operator injury.
- Always use caution when you lower the product or place the product in Reverse Trendelenburg when the foot section is lowered. Damage to the product may occur.
- Always make sure that the foot section is secure before you use the foot section to avoid operator or patient injury.
- Do not use the IV pole as a push/pull device. Product damage may occur.
- Do not place objects that exceed 40 lb (18 kg) in the upright oxygen bottle holder.
- Always use caution if the defibrillator tray/foot extender, footboard/chart holder, or upright oxygen bottle holder is attached to avoid pinching your fingers when you position the foot end push handle option.
- Do not place objects that exceed 30 lb (14 kg) on the serving tray.
- Always use caution when you attach restraint straps. Patient or operator injury may occur. Physical restraints, even if secured, may result in serious harm to patients and operators, including entanglement, entrapment, physical injury, or death.

- Always attach restraint straps or devices only at the identified attachment points of the product. Failure to do so may result in patient or operator injury. Do not attach restraints straps to the siderail.
  - Always refer to the applicable state and federal restrictions and regulations and the appropriate facility protocols before you use any restraint strap or device.
  - Do not clean, service, or perform maintenance while the product is in use.
  - Do not immerse the mattress in cleaning or disinfectant solutions. Excess moisture could cause product malfunction that results in product damage or patient injury.
  - Do not allow fluid to pool on the mattress. Fluids can cause corrosion of components and may cause the safety and performance of this product to become unpredictable.
  - Always inspect mattress covers for tears, punctures, excessive wear, and misaligned zippers every time you clean the covers. Remove and replace a damaged mattress to prevent cross-contamination.
  - Do not steam clean, pressure wash, hose off, or ultrasonically clean mattresses. These methods of cleaning may void the product's warranty.
  - Do not steam clean, hose off, or ultrasonically clean the product. Use of these methods of cleaning is not recommended and may void the product's warranty.
  - Always disinfect the mattress between patients. Failure to do so could result in cross-contamination and infection.
- 

## **CAUTION**

- Improper usage of the product can cause injury to the patient or operator. Operate the product only as described in this manual.
  - Do not modify the product or any components of the product. Modifying the product can cause unpredictable operation resulting in injury to patient or operator. Modifying the product also voids its warranty.
  - Do not use the hydraulics on the base to raise the product with a patient lift under the product.
  - Always store the foot supports under the litter when they are not in use. Do not transport the product with the foot supports extended.
  - Do not use the foot supports as a push/pull device. Damage to the product may occur.
  - Do not place large items in the base storage tray. Damage to the foot support may occur.
  - Always make sure that there is no interference between the waste bin holder and objects in the base storage tray to avoid damage to the product or the objects.
  - Always make sure that the waste bin holder is secure before you attach a disposable bag, basin, or instrument tray.
-

# Introduction

This manual assists you with the operation or maintenance of your Stryker product. Read this manual before operating or maintaining this product. Set methods and procedures to educate and train your staff on the safe operation or maintenance of this product.

---

## CAUTION

- Improper usage of the product can cause injury to the patient or operator. Operate the product only as described in this manual.
  - Do not modify the product or any components of the product. Modifying the product can cause unpredictable operation resulting in injury to patient or operator. Modifying the product also voids its warranty.
- 

## Note

- This manual is a permanent part of the product and should remain with the product even if the product is sold.
- Stryker continually seeks advancements in product design and quality. This manual contains the most current product information available at the time of printing. There may be minor discrepancies between your product and this manual. If you have any questions, contact Stryker Customer Service or Technical Support at 1-800-327-0770.

## Product description

The Stryker Model 1061 **Gynnie**® OB/GYN stretcher is a wheeled stretcher consisting of a platform mounted on a wheeled frame to transport patients in a horizontal position while providing a platform for the clinical treatment or examination of patients within the interior of a healthcare facility. The device has siderails and supports for fluid infusion devices.

## Indications for use

The **Gynnie** OB/GYN stretcher is a wheeled device that provides a method of transporting patients within a healthcare facility by healthcare professionals or trained representatives of the healthcare facility. The stretcher may be used for minor procedures and short-term stay, typical of existing stretcher applications, such as short-term outpatient clinical evaluations, treatment, minor procedure and as a short-term outpatient recovery platform.

The **Gynnie** OB/GYN stretcher is for use in all establishments and may include use in, but is not limited to:

- Emergency department (ED)
- Trauma area
- Maternity department (for ante/postpartum OB/GYN examinations and as a backup maternity bed)
- Women's clinics
- Physician's office

The **Gynnie** OB/GYN stretcher has a safe working load of 500 lb (225 kg).

The **Gynnie** OB/GYN stretcher is not for use for long-term inpatient treatment and recovery.

## Clinical benefits

Patient transport and facilitate treatment

## Expected service life

The Gynnie OB/GYN stretcher has a 10 year expected service life under normal use conditions and with appropriate periodic maintenance.


## Disposal/recycle

Always follow the current local recommendations and/or regulations governing environmental protection and the risks associated with recycling or disposing of the equipment at the end of its useful life.

## Contraindications

None known.

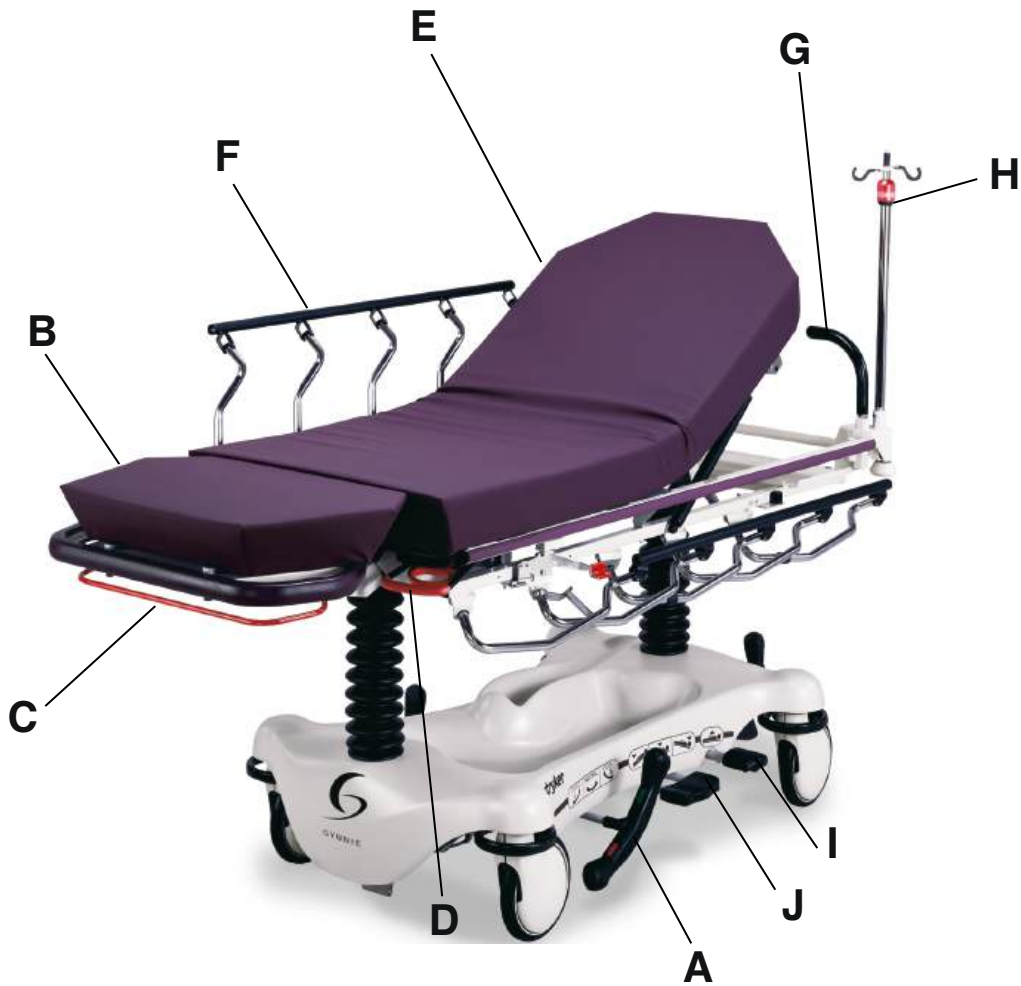
## Specifications

 <p><b>Note</b> - Safe working load indicates the sum of the patient, mattress, and accessory weight.</p>		500 lb	225 kg
Length		81 in.	205.7 cm
Width	Siderails up	31.5 in.	80 cm
	Siderails down	28 in.	71 cm
Height (to litter top)	High	35.75 in.	90.8 cm
	Low	22 in.	55.5 cm
Litter positioning	Backrest	0° to 90°	
	Knee Gatch	0° to 90°	
	Trendelenburg/Reverse Trendelenburg	±18°	
	Maximum angle	87.5°	
Patient surface		26 in. x 75.5 in.	66 cm x 191.5 cm
Siderails		13 in. x 39 in.	34 cm x 99 cm
Caster diameter		8 in.	20 cm
Break away from wall point		68 in.	172.7 cm

Stryker reserves the right to change specifications without notice.

Environmental conditions	Operation	Storage and transportation
Temperature	 50 °F (10 °C) to 100 °F (38 °C)	 -4 °F (-20 °C) to 140 °F (60 °C)
Relative humidity	 30% to 75%	 10% to 95%
Atmospheric pressure	 700 hPa to 1060 hPa	 500 hPa to 1060 hPa

## Product illustration



A	Brake/steer pedal
B	Foot section
C	Foot section release handle
D	Foot support
E	Fowler backrest

F	Glideaway siderail
G	Head end push handles
H	IV pole
I	Pump pedal
J	Uni-lower pedal

## Contact information

Contact Stryker Customer Service or Technical Support at: 1-800-327-0770.

Stryker Medical  
3800 E. Centre Avenue  
Portage, MI 49002  
USA

**Note** - The user and/or the patient should report any serious product-related incident to both the manufacturer and the Competent authority of the European Member State where the user and/or patient is established.

To view your operations or maintenance manual online, see <https://techweb.stryker.com/>.

Have the serial number (A) of your Stryker product available when calling Stryker Customer Service or Technical Support. Include the serial number in all written communication.

## Serial number location

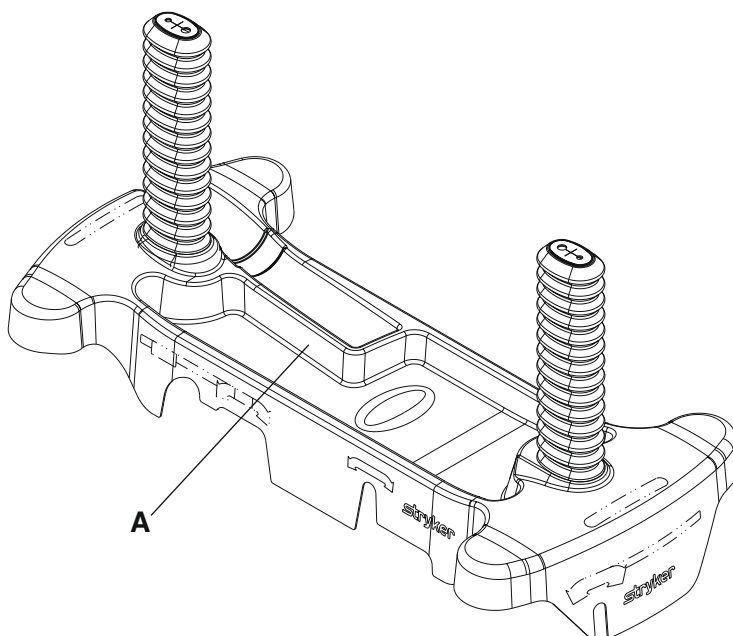


Figure 1 – Serial number location

## Date of manufacture

The year of manufacture is the first four digits of the serial number.

# Setup

Make sure that the product works before the product is put into service.

1. Apply the brake. Push on the product to make sure that all four casters are locked.
2. Release the brake. Push on the product to make sure that all four casters are unlocked.
3. Raise and lower the litter with the hydraulic lift system.
4. Raise the product to the highest position and put the product in the Trendelenburg position. Make sure that the head end lowers to the full down position.
5. Raise the product to the highest position and put the product in the Reverse Trendelenburg position. Make sure that the foot end lowers to the full down position.
6. Apply the fifth wheel and make sure that the fifth wheel guides and pivots the product.
7. Make sure that the siderails raise, lower, and lock in place.
8. Raise and lower the manual Fowler backrest (head section).
9. Raise and lower the manual Gatch (foot section).
10. Extend and retract each footrest and make sure that you can adjust the footrest position and lock the footrest.
11. Raise and lower each push handle and make sure that the push handle locks.

# Operation

## Applying and releasing the brakes

---

**WARNING** - Always apply the brakes when a patient is getting on the product or off the product or when the product is not moving. Injury could result if the product moves while a patient is getting on the product or off the product.

---

To apply the brakes, push down on the brake (red) side of the brake/steer pedal. Push on the product to make sure that the brakes work.

To release the brakes, push down on the steer (green) side of the brake/steer pedal.

## Raising or lowering the litter

---

### WARNING

- Always put the product in the lowest position with the siderails up and latched when you leave a patient unattended on the product. Do not leave the product at a higher height.
  - Always remove any devices that may be in the way before you raise or lower the litter.
  - Do not sit on the end of the product. The product may tip.
  - Always keep patient and operator extremities away from siderail spindles when you raise or lower the litter.
- 

To raise the litter, press down on the pump pedal (A) until you achieve the desired height (Figure 2).

To lower the entire litter, press on the center of the uni-lower pedal (B).

To lower the head end of the litter, press down on the side of the uni-lower pedal (B) closest to the head end of the product.

To lower the foot end of the litter, press down on the side of the uni-lower pedal (B) closest to the foot end of the product.

**Note** - The base may be equipped with optional variable descent controls. With variable descent controls, the farther you press down on the pedal, the faster the litter will lower.

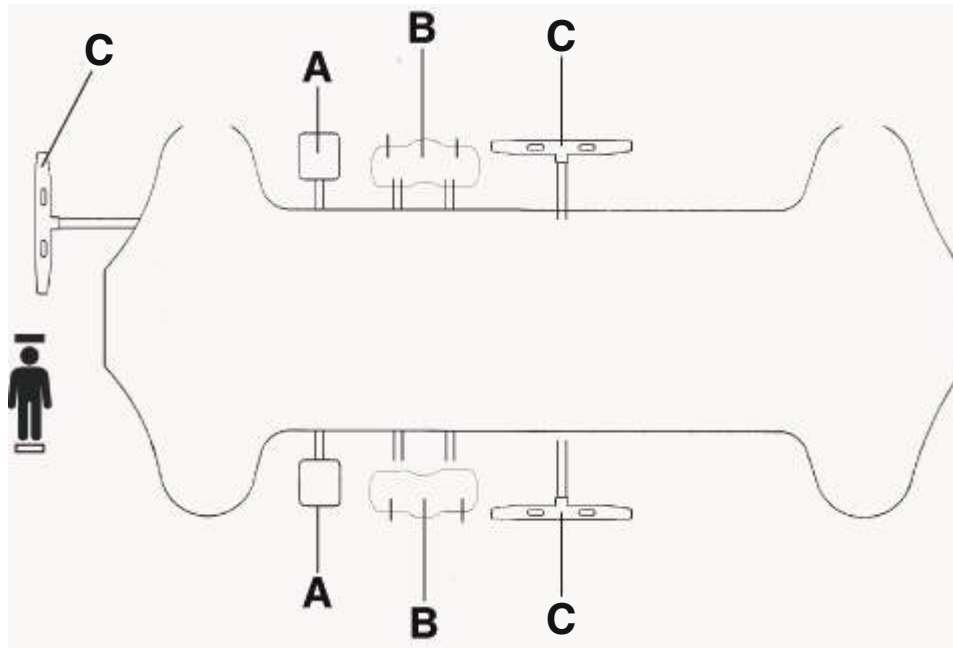


Figure 2 – Raising or lowering the litter

## Positioning the product in Trendelenburg

---

**WARNING** - Always remove any devices that may be in the way before you raise or lower the litter.

---

To position the product in the Trendelenburg position (head down), raise the litter to the highest height (*Raising or lowering the litter* (page 9)).

**Note** - Raise the litter to the highest height for a greater Trendelenburg angle.

To lower the head end of the product, push down on the side of the uni-lower pedal (B) closest to the head end (Figure 2).

To lower the product from Trendelenburg position, push down on the center of the uni-lower pedal (B) until the litter is flat.

## Positioning the product in Reverse Trendelenburg

---

**WARNING** - Always remove any devices that may be in the way before you raise or lower the litter.

---

To position the product in the Reverse Trendelenburg position (foot down), raise the litter to the highest height (*Raising or lowering the litter* (page 9)).

**Note** - Raise the litter to the highest height for a greater Trendelenburg angle.

To lower the foot end of the product, push down on the side of the uni-lower pedal (B) closest to the foot end (Figure 2).

To lower the product from Reverse Trendelenburg position, push down on the center of the uni-lower pedal (B) until the litter is flat.

## Transporting a patient with the retractable fifth wheel

---

### WARNING

- Always position the patient in the center of the product.
  - Always remove any devices that may be in the way before you raise or lower the litter.
  - Always lock the siderails in the full up position with the sleep surface flat in the lowest position when you transport a patient.
- 

**CAUTION** - Do not use the hydraulics on the base to raise the product with a patient lift under the product.

---

To transport a patient with the retractable fifth wheel:

1. Push down on the steer side of the brake/steer pedal to apply the fifth wheel.
2. Put the pedal in the neutral position to move the product laterally. Move the product to the desired location.

**Note** - Do not attempt to move the product laterally with the retractable fifth wheel applied.

3. Apply the brakes to lock the product in place.

**Note** - Always make sure that the brake is released before you move the product to avoid operator or patient injury.

## Positioning or stowing the push handles (optional)

To position or stow the push handles:

1. Pivot the handles up from the end of the product (Figure 3).
2. Push down on the handles to lock them into position.
3. Reverse steps to stow the handles.

**Note** - Only use the push handles as push/pull devices unless otherwise specified to avoid product damage.

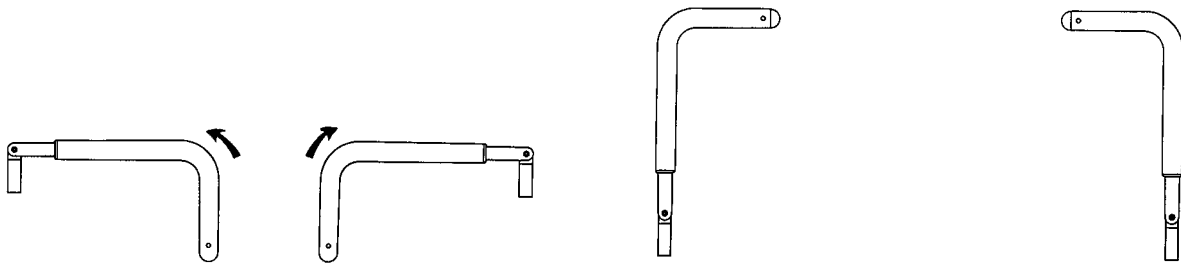


Figure 3 – Positioning the head end push handles

## Raising or lowering the siderails

---

### WARNING

- Always put the product in the lowest position with the siderails up and latched when you leave a patient unattended on the product. Do not leave the product at a higher height.
  - Always lock the siderails in the full up position with the sleep surface flat in the lowest position when you transport a patient.
  - Always keep patient and operator extremities away from siderail spindles when you raise or lower the siderails.
  - Do not allow the siderails to lower on their own.
- 

To raise the siderails, use two hands to grasp the siderail. Raise the siderail until the release latch clicks into place. Pull on the siderail to make sure that the siderail is locked.

To lower the siderails, pull on the release latch. Guide the siderail to the lowest position.

**Note** - Do not use siderails as restraint devices to keep the patient from exiting the product. The siderails keep the patient from rolling off the product. The operator must determine the degree of restraint necessary to make sure that the patient is safe.

## Raising or lowering the Fowler backrest

---

### WARNING

- Always keep hands and fingers clear of the Fowler backrest release handles and the Fowler backrest frame when you lower the Fowler backrest.
  - Always use caution when you raise a pneumatic Fowler backrest while a patient is on the product. Use proper lifting techniques and get help, if necessary.
- 

To raise the Fowler backrest, squeeze the red Fowler backrest release handle (A). Pull the Fowler backrest up to the desired position.

To lower the Fowler backrest, squeeze the red Fowler backrest release handle (A). Push the Fowler backrest down to the desired position.

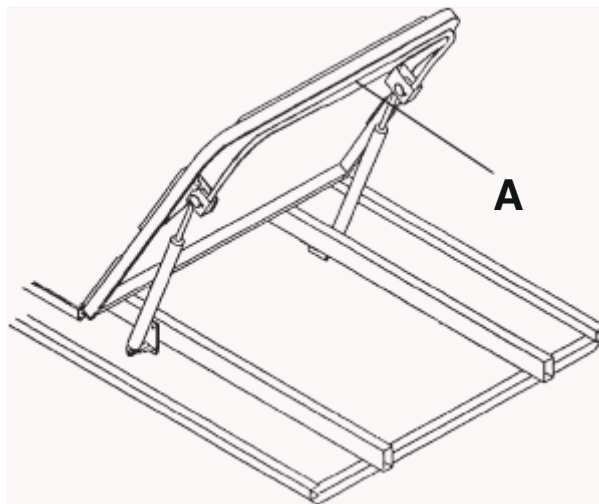


Figure 4 – Fowler backrest

## Positioning the foot supports

---

### CAUTION

- Always store the foot supports under the litter when they are not in use. Do not transport the product with the foot supports extended.
  - Do not use the foot supports as a push/pull device. Damage to the product may occur.
  - Do not place large items in the base storage tray. Damage to the foot support may occur.
- 

1. Position the patient toward the foot end of the product.
2. Grasp the red handle (B) and pull out the foot support (A).
3. Lift the foot support until the foot support locks into the exam position.
4. Lift up on the foot support and slide the foot support in or out to adjust the foot support position.
5. Position the patient's feet in the foot supports.

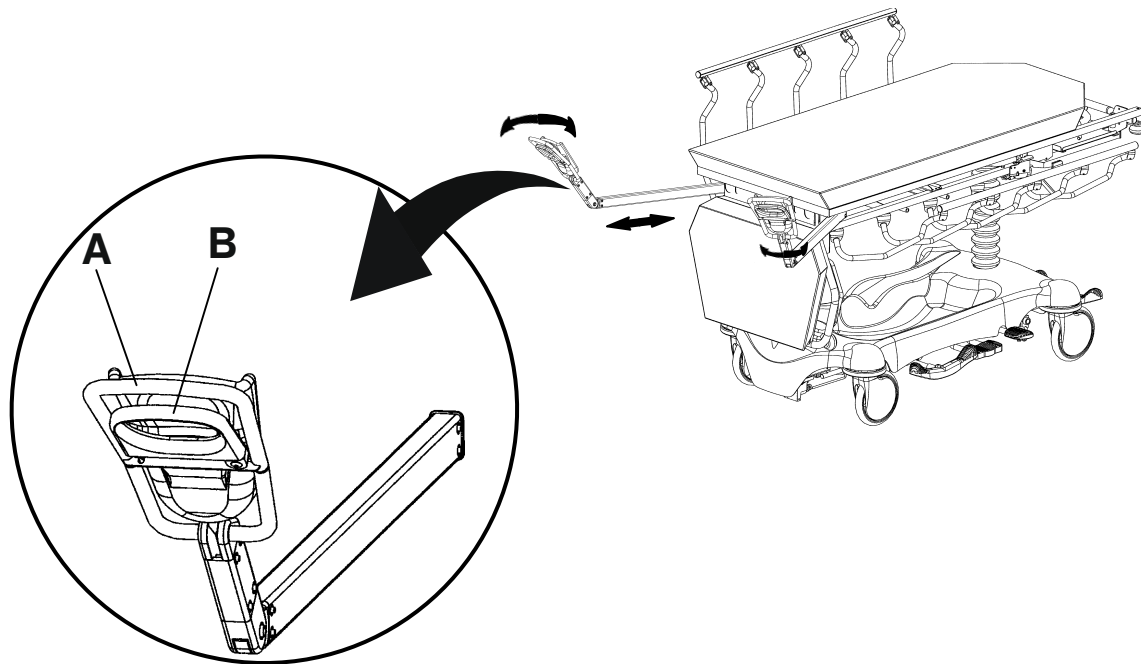


Figure 5 – Positioning the foot supports

## Storing the foot supports

### CAUTION

- Always store the foot supports under the litter when they are not in use. Do not transport the product with the foot supports extended.
- Do not use the foot supports as a push/pull device. Damage to the product may occur.
- Do not place large items in the base storage tray. Damage to the foot support may occur.

To store the foot supports:

1. Squeeze the red release handle.
2. Lower the foot support.
3. Slide the foot support arm under the litter.

## Positioning the foot section

### WARNING

- Always use caution when you lower the foot section to avoid operator or patient injury.
- Do not transport the product with the foot section in the lowered position to avoid operator or patient injury or product damage.
- Always make sure that all operators' feet are clear of the foot section when you lower the product or place the product in Reverse Trendelenburg to avoid operator injury.
- Always use caution when you lower the product or place the product in Reverse Trendelenburg when the foot section is lowered. Damage to the product may occur.
- Always make sure that there is no interference with the foot supports when the foot section is lowered.
- Always make sure that the foot section is secure before you use the foot section to avoid operator or patient injury.

To lower the foot section, lift up on the foot section. Squeeze the red release handle (A). Lower the foot section.

To raise the foot section, pull up on the foot section frame until the foot section latches. Make sure that the foot section is secure before you place any patient weight on the foot section.

## Positioning the waste bin holder (optional)

### CAUTION

- Always make sure that there is no interference between the waste bin holder and objects in the base storage tray to avoid damage to the product or the objects.
- Always make sure that the waste bin holder is secure before you attach a disposable bag, basin, or instrument tray.
- Always treat fluids encountered in pelvic exams and vaginal births as a biohazard. Dispose of contaminated disposable bags, basins, or instrument trays in following facility protocol. Exposure to fluids may cause injury to the patient or operator.
- Do not leave the patient unattended when the waste bin holder is in use.

To position the waste bin holder:

1. Position the patient's feet in the foot supports (*Positioning the foot supports* (page 12)) and lower the foot section (*Positioning the foot section* (page 13)).
2. Slide the waste bin holder (A) out from under the litter frame (Figure 6).
3. Place the waste basin in the holder.
4. Secure the top of the basin on the "wings" (B) of the waste bin holder.

To store the waste bin holder, remove and dispose of the waste basin. Slide the waste bin holder under the litter frame.

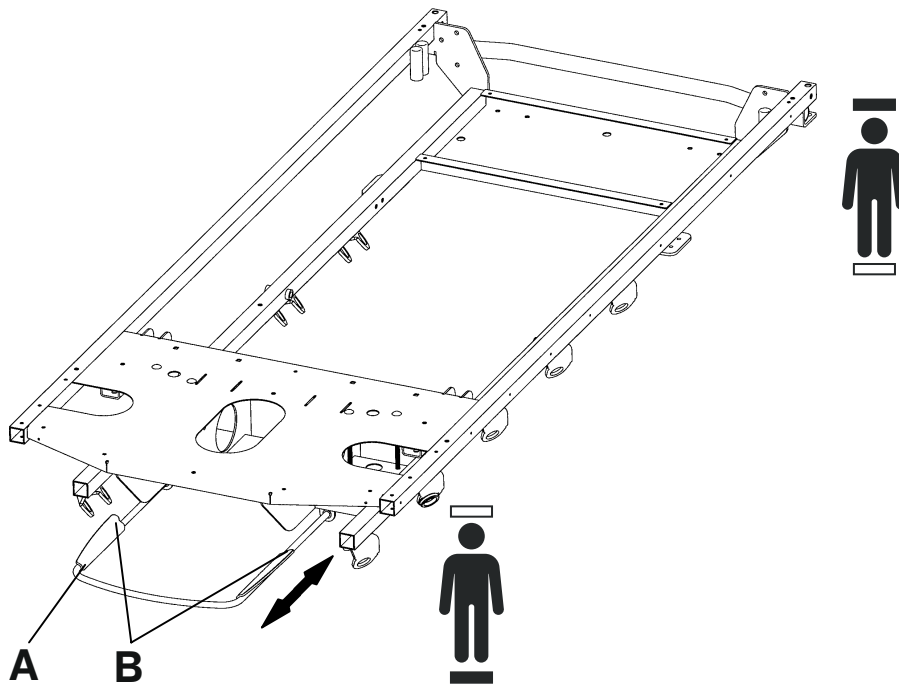


Figure 6 – Position the waste bin holder

## Accessories and parts

These accessories may be available for use with your product. Confirm availability for your configuration or region. Call Stryker Customer Service: 1-800-327-0770.

Name	Number
Calf rest, free standing	1061-040-036
Calf support mounting brackets	1061-130-000
Caster assembly with hardware (no caster covers)	0715-259-100
Caster covers (four wheels)	1010-056-200
<b>HAVASU™</b> IV pole, removable	0390-025-010
IV pole, three-stage, head end, left	1061-110-001
IV pole, two-stage, head end, left	1061-110-000
Hydraulic jack, constant descent	1231-070-210
Hydraulic oil, <b>Mobil™ Aero™</b> HFA - 1 quart	2020-070-475
Hoop for drainage basin	1061-120-000
Mattress, Ultra Comfort, 4" x 26"	1061-426-200
Oxygen bottle holder assembly, upright	1020-130-000
Oxygen bottle retainer	1040-010-090
Restraint strap, ankle	0946-043-000
Restraint strap, body	0390-019-000
Restraint strap, chest	1010-058-000
Restraint strap, wrist	0946-044-000
Restraint strap, full package	1010-077-000
Serving tray	0785-045-700
Siderail pads	1010-052-000
Waste basin, disposable	1061-120-110

### Attaching, removing, and positioning the free-standing calf rest

To remove the calf rest and secure the calf rest in place, remove the cap and lift the calf support and rod off of the bracket.

To attach the calf rest and secure the calf rest in place, tighten the cap.

To position the calf rest, adjust the knob and position the calf rest.

### Attaching and positioning the removable IV pole

---

#### CAUTION

- Do not use the IV pole as a push/pull device. Product damage may occur.
- Do not hang IV bags that exceed 40 lb (18 kg) on the IV pole.

- Always make sure that the IV pole is at a low height to pass through door openings when you transport a patient.
- 

To attach and position the removable IV pole (Figure 7):

1. Insert the IV pole into a socket at the head end or foot end of the product.
2. Turn the knob (A) counterclockwise and pull up on the telescoping portion (B) until you reach the desired height.
3. Turn the knob (A) clockwise to lock the telescoping portion in place.

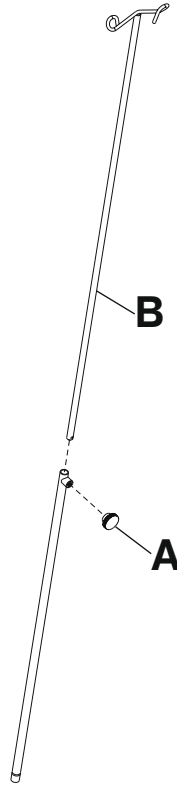


Figure 7 – Removable IV pole

## Attaching the upright oxygen bottle holder

---

### WARNING

- Do not place objects that exceed 40 lb (18 kg) in the upright oxygen bottle holder.
  - Always use caution if the defibrillator tray/foot extender, footboard/chart holder, or upright oxygen bottle holder is attached to avoid pinching your fingers when you position the foot end push handle option.
- 

The upright oxygen bottle holder supports an oxygen bottle in a vertical position.

To attach the upright oxygen bottle holder:

1. Insert the support bar into any of the IV sockets.
2. Insert the cotter pin through the hole in the support bar to secure the bottle holder to the product.

**Note** - Do not use the upright oxygen bottle holder as a push/pull device. Product damage may occur.

## Extending or stowing the serving tray holder/footboard

---

**WARNING** - Do not place objects that exceed 30 lb (14 kg) on the serving tray.

---

To fit the serving tray on the siderail, pull out on both sides of the serving tray and position the tray over the siderails.

To stow the serving tray:

1. Remove the serving tray from the siderails.
2. Push in the sides of the serving tray.
3. Store the serving tray in the footboard.

**Note** - Do not use the serving tray/footboard as a push/pull device. Product damage may occur.

## Accessing the Fowler X-ray cassette holder

To access the Fowler X-ray cassette holder:

1. Raise the Fowler backrest (*Raising or lowering the Fowler backrest* (page 12)).
2. Grasp and squeeze the handles (A) until the locating pins (B) release from the mounting brackets (C).
3. Lower the tray and insert the X-ray cassette into the Fowler X-ray cassette holder.
4. Loosen the knob on the front of the tray and then slide the tray to the desired position. Tighten the knob.
5. Reverse steps to secure the X-ray cassette in the mounting brackets (C).

To remove the tray from the Fowler, lift the bottom of the tray out of the mounting brackets (D).

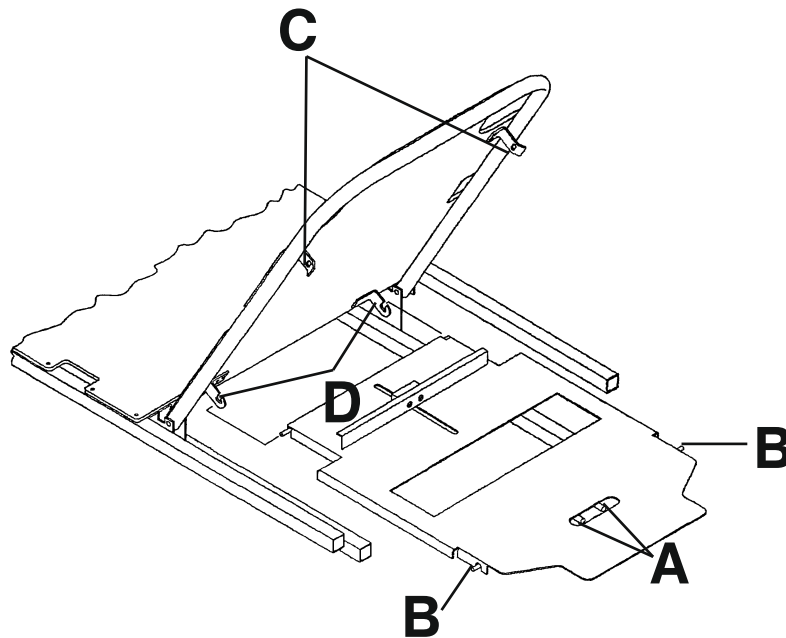


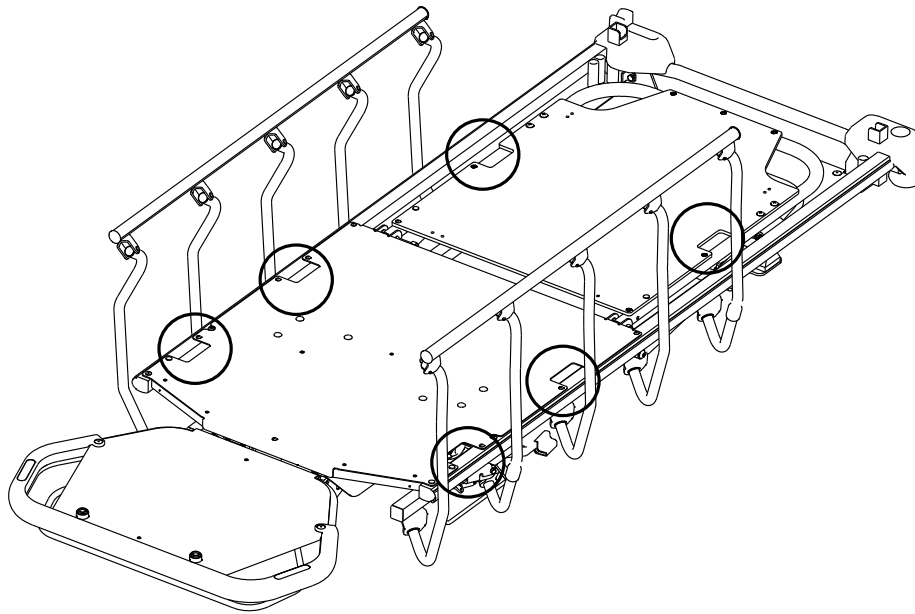
Figure 8 – Accessing the Fowler X-ray cassette holder

## Locating the patient restraint strap tie-ins

### WARNING

- Always use caution when you attach restraint straps. Patient or operator injury may occur. Physical restraints, even if secured, may result in serious harm to patients and operators, including entanglement, entrapment, physical injury, or death.
- Always attach restraint straps or devices only at the identified attachment points of the product. Failure to do so may result in patient or operator injury. Do not attach restraints straps to the siderail.
- Always refer to the applicable state and federal restrictions and regulations and the appropriate facility protocols before you use any restraint strap or device.

There are six patient restraint strap tie-in locations on the litter assembly for attaching patient restraint straps (Figure 9).



**Figure 9 – Restraint strap tie-in locations**

## Cleaning and disinfecting with wipes

For United States only. Confirm availability for your configuration or region. Call Stryker Customer Service: 1-800-327-0770.

Stryker's preferred wipes (2060-000-001 6" x 10" or 2060-000-002 9" x 12") include the following active ingredients:

- n-Alkyl (60% C14, 30% C16, 5% C12, 5% C18) dimethyl benzyl ammonium chloride - 0.154%
- n-Alkyl (68% C12, 32% C14) dimethyl ethylbenzyl ammonium chloride - 0.154%
- Isopropanol - 21.000%

Non-active ingredient: Ethylene Glycol Monobutyl Ether – < 3%

**Note** - For safety information, read the product label.

To clean or disinfect the external product surface:

1. To clean, wipe external surfaces with a fresh, clean wipe to remove all visible soils. Repeat as necessary until the product is clean.

**Note**

- Use as many wipes as necessary.
  - Complete step 1 before you disinfect.
2. To disinfect, wipe external surfaces with a fresh, clean wipe until wet. Allow the external surface to remain wet for two minutes at room temperature.
  3. Allow the product to dry before you return it to service.

# Cleaning

## Cleaning the product

---

**WARNING** - Do not clean, service, or perform maintenance while the product is in use.

---

Recommended cleaning method:

1. Follow the cleaning solution manufacturer's dilution recommendations.
2. Hand wash all surfaces of the product with warm water and mild detergent.
3. Avoid over-saturation and make sure that the product does not stay wet longer than the detergent manufacturer's guidelines for proper cleaning.
4. Dry thoroughly. Do not replace the mattress on the product until the product is dry.
5. Check functionality before you return the product to service.
  - Raise and lower the product
  - Lock and unlock the brake/steer pedal in both positions
  - Latch and unlatch the siderails
  - Raise and lower the Fowler backrest
  - Raise and lower the Gatch
  - Make sure all components have proper lubrication
  - Make sure all labels are intact

### Note

- Direct skin contact with visibly soiled, permeable material may increase the risk of infection.
- Some cleaning agents are corrosive in nature and may cause damage to the product if you use them improperly. If you do not properly rinse and dry the product, a corrosive residue may be left on the surface of the product that could cause premature corrosion of critical components. Failure to follow these cleaning instructions may void your warranty.
- Do not steam clean, power wash, hose off, or ultrasonically clean the product. Use of these methods of cleaning is not recommended and may void the product's warranty.
- Clean the base hood.
- Clean the bottom of the brake pads to prevent wax or floor remnant buildup.

## Cleaning the mattress

---

### WARNING

- Do not clean, service, or perform maintenance while the product is in use.
  - Do not immerse the mattress in cleaning or disinfectant solutions. Excess moisture could cause product malfunction that results in product damage or patient injury.
  - Do not allow fluid to pool on the mattress. Fluids can cause corrosion of components and may cause the safety and performance of this product to become unpredictable.
  - Always inspect mattress covers for tears, punctures, excessive wear, and misaligned zippers every time you clean the covers. Remove and replace a damaged mattress to prevent cross-contamination.
  - Do not steam clean, pressure wash, hose off, or ultrasonically clean mattresses. These methods of cleaning may void the product's warranty.
- 

The life of the mattress can be affected by an increase in frequency of usage, which might include more frequent cleaning and disinfection.

Recommended cleaning method:

1. Use a clean, soft cloth to wipe down the entire mattress with a mild soap and water solution to remove foreign material.
2. Wipe down the mattress with a clean, dry cloth to remove any excess liquid or cleaning agents.
3. Rinse and dry covers after cleaning.
4. Disinfect as needed with a hospital grade disinfectant after cleaning has been completed (see *Disinfecting the mattress*).

**Note**

- Do not iron, dry-clean, or tumble dry the mattress, as this will cause malfunction and damage the product.
- The mattress cover must be completely dry before you store, add linens, or place a patient on the mattress to prevent impairment of the product performance.
- Avoid over-exposure to alcohol or hydrogen peroxide. The cover material will swell.
- Do not allow liquid to seep into the zipper area and watershed cover barrier. Fluids allowed to come in contact with the zipper may leak into the mattress which could impair the product performance.
- Some cleaning agents are corrosive in nature and may cause damage to the product if you use them improperly. If you do not rinse and dry the product well, a corrosive residue may be left on the surface of the product that could cause premature corrosion of critical components. Failure to follow these cleaning instructions may void your warranty.

## Remove iodine

1. Make a solution of 1 to 2 tablespoons of sodium thiosulfate in a pint of warm water. Use the solution to wipe down the stained area.
2. Clean the stain as soon as possible after the stain occurs.
3. If stains are not immediately removed, allow solution to soak or stand on the mattress before you wipe the mattress.
4. Rinse the mattresses which have been exposed to the solution with clear water before you return the mattresses to service.

**Note** - Failure to follow these directions when you use these types of cleaners may void this product's warranty.

## Special instructions

Velcro®	Saturate with disinfectant, rinse with water, and allow the solution to evaporate.
Solids or stains	Use neutral soaps and warm water. Do not use harsh cleansers, solvents, or abrasive cleaners.
Hard-to-clean spots	Use standard household cleansers or vinyl cleansers and a soft bristle brush on troublesome spots or stains. Pre-soak dried-on soil.
Laundering	Laundering is not recommended. Laundering may substantially decrease the useful life of the mattress.

# Disinfecting

## Disinfecting the product

---

### WARNING

- Do not clean, service, or perform maintenance while the product is in use.
  - Do not steam clean, hose off, or ultrasonically clean the product. Use of these methods of cleaning is not recommended and may void the product's warranty.
- 

### Recommended disinfectants:

- Quaternaries (active ingredient - ammonium chloride) that contain less than 3% glycol ether
- Phenolic disinfectant (active ingredient - o-phenylphenol)
- Chlorinated bleach solution (5.25% bleach diluted 1 part bleach to 100 parts water which equals 520 ppm available chlorine (40 mL of a 5.25% bleach solution per 4000 mL water))
- 70% isopropyl alcohol

### Recommended disinfection method:

1. Follow the disinfectant solution manufacturer's dilution recommendations.
2. Hand wash all surfaces of the product with a disinfectant solution.
3. Avoid over-saturation and make sure that the product does not stay wet longer than the chemical manufacturer's guidelines for proper disinfecting.
4. Dry the product. Do not place the mattress on the product until the product is dry.
5. Disinfect the **Velcro®** after every use. Saturate the **Velcro®** with disinfectant, rinse with water, and allow the disinfectant to evaporate (appropriate disinfectant is determined by the facility).
6. Check functionality before you return the product to service.
  - Raise and lower the product
  - Lock and unlock the brake/steer pedal in both positions
  - Latch and unlatch the siderails
  - Raise and lower the Fowler backrest
  - Raise and lower the Gatch
  - Make sure all components have proper lubrication
  - Make sure all labels are intact

### Note

- Direct skin contact with visibly soiled, permeable material may increase the risk of infection.
- Some cleaning agents are corrosive in nature and may cause damage to the product if you use them improperly. If you do not rinse and dry the product well, a corrosive residue may be left on the surface of the product that could cause premature corrosion of critical components. Failure to follow these cleaning instructions may void your warranty.

## Disinfecting the mattress

---

**WARNING** - Always disinfect the mattress between patients. Failure to do so could result in cross-contamination and infection.

---

### Recommended disinfectants:

- Quaternaries (active ingredient - ammonium chloride) that contain less than 3% glycol ether

- Phenolic disinfectant (active ingredient - o-phenylphenol)
- Chlorinated bleach solution (5.25% bleach diluted 1 part bleach to 100 parts water which equals 520 ppm available chlorine (40 mL of a 5.25% bleach solution per 4000 mL water))
- 70% isopropyl alcohol

Recommended disinfection method:

1. Make sure that the mattress is clean and dry before you apply disinfectants.
2. Wipe down the mattress with a clean, dry cloth to remove any excess liquid or disinfectant.
3. Rinse and dry covers after disinfection.

**Note**

- The mattress cover must be dry before you store or add linens. Failure to remove excess disinfectant could cause degradation of the cover material.
- Some cleaning agents are corrosive in nature and may cause damage to the product if you use them improperly. If you do not rinse and dry the product well, a corrosive residue may be left on the surface of the product that could cause premature corrosion of critical components. Failure to follow these cleaning instructions may void your warranty.
- Frequent or prolonged exposure to higher concentrations of disinfectant solutions may prematurely age the cover fabric.
- The use of accelerated hydrogen peroxides or quaternaries that contain glycol ethers may damage the cover.

# Preventive maintenance

Remove product from service before you perform the preventive maintenance inspection. Check all items listed during annual preventive maintenance for all Stryker Medical products. You may need to perform preventive maintenance checks more often based on your level of product usage. Service only by qualified personnel.

**Note** - Clean and disinfect the exterior of the mattress before inspection, if applicable.

Inspect the following items:

- \_\_\_\_\_ All welds
- \_\_\_\_\_ All fasteners are secure
- \_\_\_\_\_ Brake mechanism works
- \_\_\_\_\_ Steer function works
- \_\_\_\_\_ Siderails raise, lower, and latch
- \_\_\_\_\_ Casters lock when you apply the brakes
- \_\_\_\_\_ Casters secure and swivel
- \_\_\_\_\_ Casters are free of wax or debris
- \_\_\_\_\_ Fowler backrest raises, lowers, and latches
- \_\_\_\_\_ Gatch raises, lowers, and latches
- \_\_\_\_\_ Skins are not cracked
- \_\_\_\_\_ Trendelenburg/Reverse Trendelenburg raises and lowers from all locations
- \_\_\_\_\_ IV pole is intact and adjusts and latches in all positions (optional)
- \_\_\_\_\_ Oxygen bottle holder is intact and works (optional)
- \_\_\_\_\_ No rips or cracks in the mattress cover
- \_\_\_\_\_ Body restraints work (optional)
- \_\_\_\_\_ Ground chain intact
- \_\_\_\_\_ No leaks at the hydraulic connections
- \_\_\_\_\_ Hydraulic jacks hold
- \_\_\_\_\_ Hydraulic oil level sufficient
- \_\_\_\_\_ Hydraulic drop rate is correct
- \_\_\_\_\_ Lubricate where required
- \_\_\_\_\_ Accessories and mounting hardware are in good condition

Product serial number:
Completed by:
Date:



# stryker



Stryker Medical  
3800 E. Centre Avenue  
Portage, MI 49002  
USA